



S104 EVO

1/10 Off Road Racing Electric Buggy

SWORKz S104 EVO INSTRUCTION MANUAL

S104EVO

1/10 Off Road Racing Electric Buggy

INSTRUCTION

During the early 2015 Reedy race, SWORKz has developed and prepared a new concept S104 EVO for our brand ambassador Atsushi Hara to race with.

The revised S104 has new parts similar to that of the SWORKz 1/8 FCSS and EVO II system. It is equipped with brand new shocks and has new suspension geometry. The centre diff is standard but can also be easily fitted with a new centre slipper clutch system.

The S104 EVO comes with new stronger arms to better its overall balance and performance

Using our 1/8th buggy material knowledge we produced the S104 EVO series. We believe the S104 EVO will be very strong in the 1/10 buggy scale field and it is also a good balance weight car. The SWORKz S104 EVO 4WD buggy with its FCSS chassis design comes standard with the SWORKz X-system transmission that provides excellent car acceleration. Equipped with New Big Bore Shocks and 3 oil filled gear differentials, the S104 EVO delivers good traction and balance on any off road track. We are following the pivot ball steering system as our 1/8s to give the driver a good feel of the S104 buggy.

The SWORKz S104 EVO 4WD buggy with a stiff 7075 aluminum chassis design, comes standard with SWORKz X-system transmission system. Equipped with full option aluminum parts, Big Bore Shocks and oil filled gear differentials, the S104 EVO delivers good traction and balance. Following the pivot ball steering system from SWORKz 1/8th EVO II buggy, it gives the driver a good feel of the S104 buggy.

The S104 EVO can be fitted with either the saddle pack Li-Po battery or the shorty pack.

In order to withstand the brushless motor's powerful torque, the S104 EVO Pro comes standard with full CNC gear system and CVD drive shafts.

14mm hex wheel hubs are used so that the wheel can last when using the high power brushless motors.

Congratulations on your purchase of the new SWORKz S104 EVO 1/10 scale off-road racing buggy pro kit.

Please read this manual thoroughly, before you attempt to start or drive your S104 EVO. This manual contains step-by-step instructions to help you complete, prepare for startup, and fine-tune your Buggy. Updates, setups, and product news will be posted on our website (www.sworkz.com), so check often.

As always, if you should ever have any questions or need help with your S104 EVO, please feel free to contact our official SWORKz dealers and distributors, as they will be glad to help you. You may also contact us at any time for the most up to date information and support.

S104 EVO Pro Kit Features :

1. Standard with SWORKz X-System transmission gear system.
2. New Full Oil System Big Bore Shocks.
3. New Strengthen Carbon Fiber shock towers with New Geometry Shock Position.
4. SWORKz F.C.S.S. with B.H.C. Chassis Design.
5. New Strengthen Material arms with new suspension geometry.
6. New Centre Diff System.
7. Aluminum Easy Fit for Motor Holder with Center Diff. Mount.
8. 14mm Hex Wheel Hub system
9. Pivot Ball Steering System
10. New Adjustable Steering Plate with New Bell Crank System.
11. Full aluminum in arm holders and toe in plates.
12. Fits 2 types of Li-Po batteries. (Saddle pack and Shorty park)

Specification	
Length:	385mm
Width:	248mm
Height:	158mm
Ground Clearance:	48mm
Wheelbase:	275-278mm
Track:	F:223mm / R:228mm
Gear Ratio:	C:87T, F/R 42/17T
Weight:	1720g~1820g



WARRANTY

Your SWORKz S104 EVO kit warranty covers workmanship and manufacturing defects of the original and unmodified parts. Warranty claims resulting from crashes, abuse, improper operation, improper mounting, improper adjustment or lack of maintenance will not be honored.

Contact your local hobby shop or SWORKz distributor for all claims and questions. Claims must be well documented. All Claims are subject to expert examination approval by SWORKz



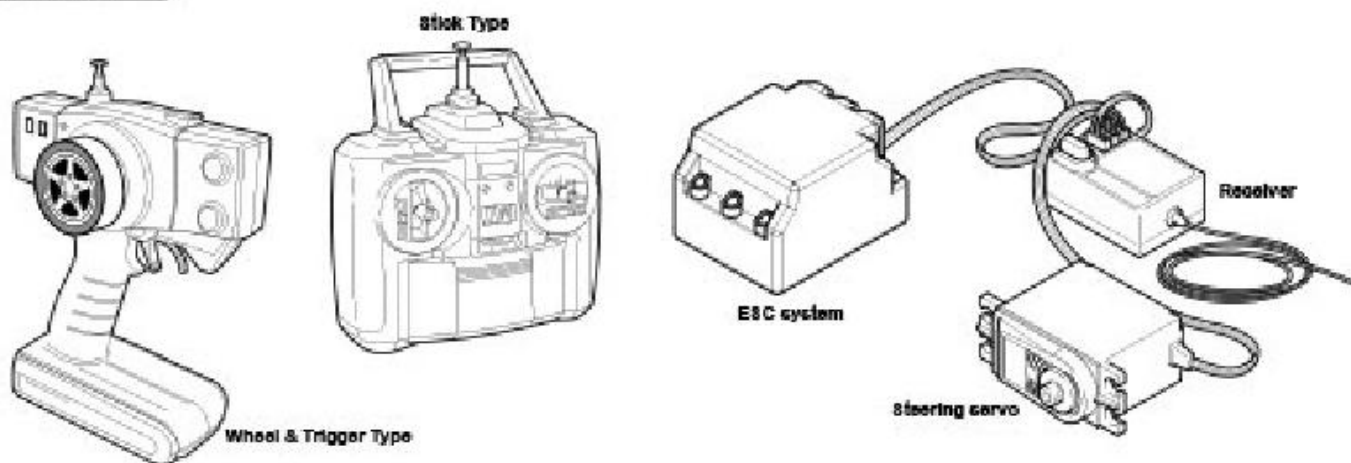
Instruction	2
Warranty	3
Index	4
Required equipment for operation	5
Explosion view with spare parts number	6-12
Operation guide	13
Assembly steps	14-39
Blank set-up sheet	40
Set-up sheet	41
S104 EVO key no. list	42-43
S104 EVO spare part list	44
S104 EVO option parts list	45



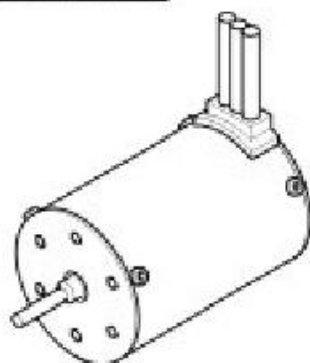
This radio control racing car is not a toy!
This high-performance R/C model is recommended for ages 14 and older.

Required Equipment for Operation

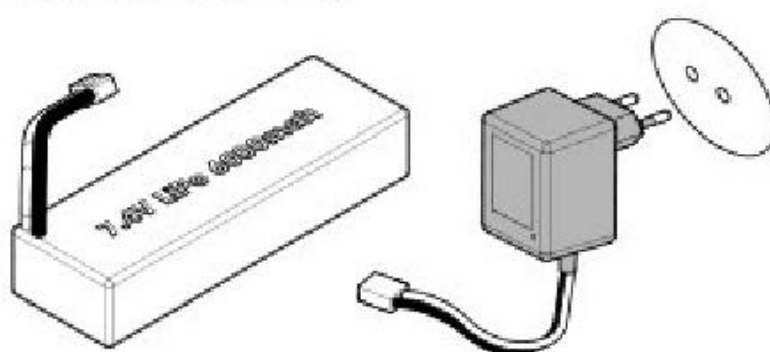
Radio Gear



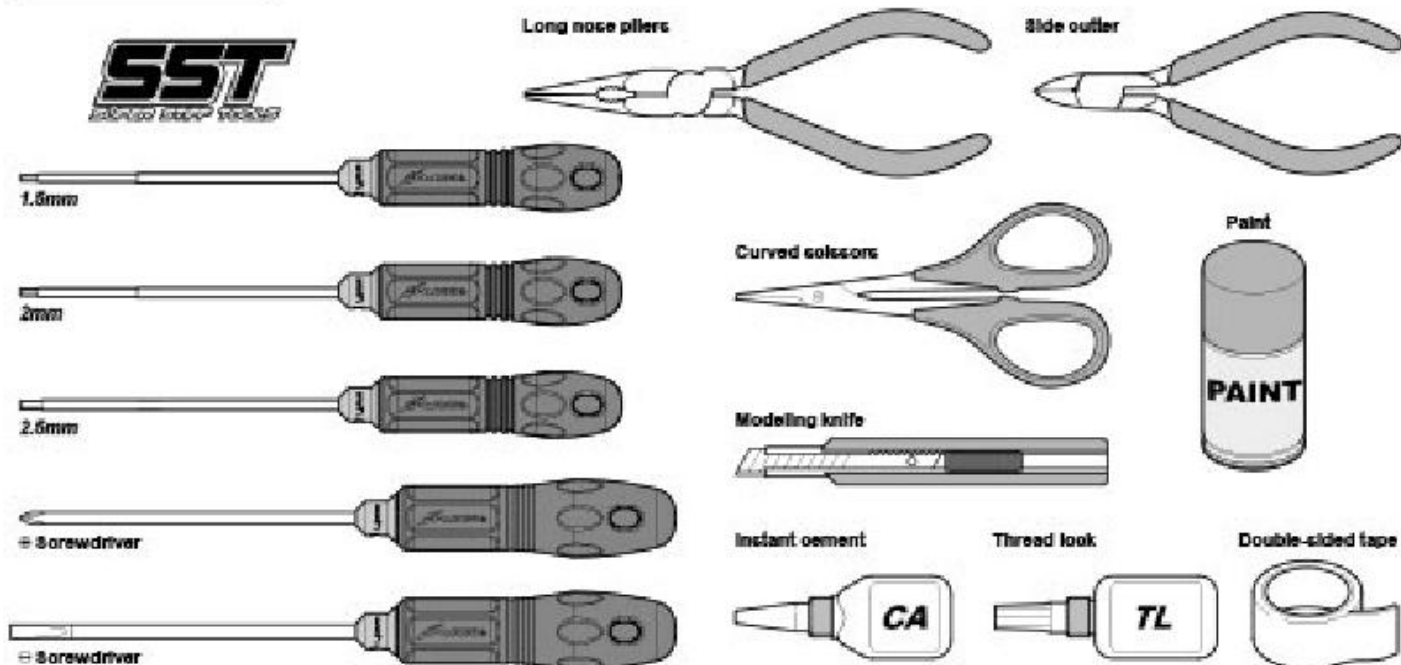
Breathless Motor



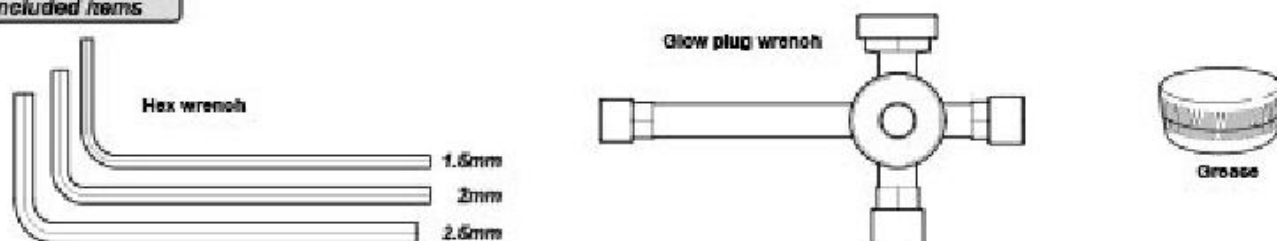
Charger and LiPo Battery





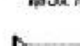

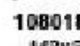


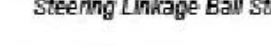
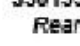


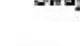

Tools Recommended



Included Items



-  **104004**
M3x3mm Set Screw x5
-  **104005**
M3x4mm Set Screw x4
-  **104009**
M3x10mm Set Screw x3
-  **104008**
M4x4mm Set Screw x4
-  **105004**
M2.0x6mm Cap Screw x4
-  **106014**
M2x6mm Hex Socket OH/TP Screw x4
-  **106018**
M3x3mm Hex Socket OH/TP Screw x8
-  **106015**
M3x5mm Hex Socket OH/TP Screw x7
-  **106010**
M3x6mm Hex Socket OH/TP Screw x15
-  **106001**
M3x8mm Hex Socket OH/TP Screw x11
-  **106002**
M3x10mm Hex Socket OH/TP Screw x16
-  **106008**
M3x12mm Hex Socket OH/TP Screw x8
-  **106005**
M3x15mm Hex Socket OH/TP Screw x2
-  **108020**
M2x4mm FH/ST HEX Screw x4
-  **108017**
M2.0x10mm FH/ST HEX Screw x12
-  **108007**
M3x6mm FH/ST HEX Screw x8

-  **108006**
M3x6mm FH/ST HEX Screw x20
-  **108003**
M3x10mm FH/ST HEX Screw x12
-  **108001**
M3x12mm FH/ST HEX Screw x12
-  **108018**
M3x30mm FH/ST HEX Screw x4
-  **330331**
Steering Linkage Ball Stud 4.1mm x2
-  **330643**
Steering Linkage Ball Stud 5mm x8
-  **330155**
Rear Upper Sus. Arm Turnbuckles x4
-  **330314**
Steering Knuckle Pivot Ball Turnbuckle x4
-  **330315**
Sway Bar Ball Stud x4
-  **330312A**
Aluminum Shock Cap Stud x2
-  **330597**
Aluminum Shock Cap Stud x2
-  **330134**
Shock Ball Stud x4
-  **330294**
CVD Axle x4



101012 Washer M3x0xT0.5mm x6



101011 Shock Washer 2.6x0x0.5mm x4



330305 Shock Washer 3.3x0.7x1mm x4



101025 Shim 3.5x10x0.1mm x12



101023 10x12x0.1mm S104 Shim x6



101024 10x12x0.2mm S104 Shim x2



117004 Bushing 5x8x2.5mm x4



117003 Flange Ball Bearing 3x6x2.5mm x4



116017 Ball Bearing 6x12x4mm x4



116013 Ball Bearing 10x15x4mm x14



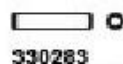
330285 CVD Join x6



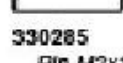
330545 Shock Washer 3.3x0.5x2.5mm x8



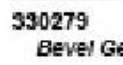
330316A Aluminum Knuckle Pivot Ball Washer 2mm x2



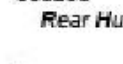
330283 Pin M2x10mm x12



330285 Pin M2x14mm x4



330279 Bevel Gear Shaft x6



330283 Rear Hub Carriers Hing Pin x2



330332 Front Upper Arm Hing Pin x2



330292 Front/Rear Lower Arm Hing Pin x4



330532 Shock Shaft S x2



330531 Shock Shaft L x2



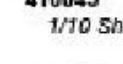
400018A Shock Seal O-ring 2x2.7mm x8



400002 O-ring S5 4.8x1.5 x6



400008 O-ring for Pinion Gear x2



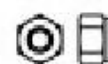
410049 1/10 Shock Seal Cap O-ring 8x10x1mm x4



410047 S102 Shock Cap O-Ring (SP) x4



400014 O-Ring 1.5x13.5mm x4



103001 M3 Nut Lock x8



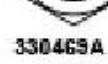
103003A Flange M3 Nut Lock x1



101020A 3mm Countersunk Washers (RD) x9



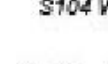
330469A Wheel Hub x4



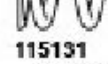
330298A S104 Wheel Nut 14mm x4



115131 Servo Saver Spring x1



115062 1/10 Body Clip x2



330544 Aluminum Shock Seal Cover x4



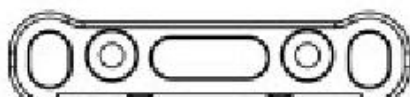
330547 Shock Piston 1.5mmx2 holes x4



330304A Aluminum Shock Spring Adjust Nut x4



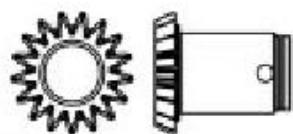
330409
S104 Motor Gear 10T **x1**



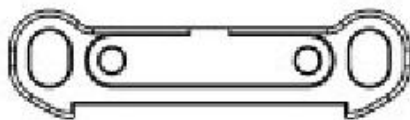
330598
S104 EVO Front Lower Arm Holder **x1**



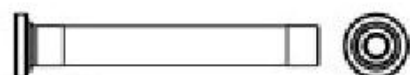
330328
Servo Saver Post **x1**



330286
Pinion Gear 17T **x2**



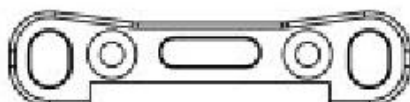
330595
S104 EVO Rear Lower Arm Holder **x1**



330327
Servo Saver Shaft **x2**



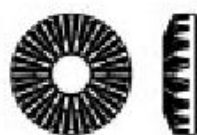
330278
Diff. Bevel Gear 10T **x12**



330606
S104 EVO Front Lower Suspension Plate **x1**



330600
Aluminum Steering Bellcrank A Upper **x1**



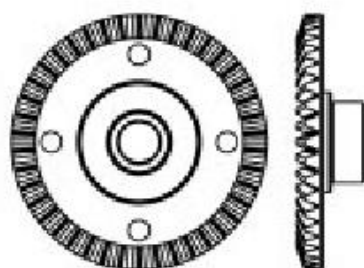
330277
Diff. Bevel Gear 18T **x6**



330596
S104 EVO Aluminum Rear Lower Arm Plate(0-3.0D) **x1**



330282
Front/Rear Diff. Outdrive **x6**



330284
Crown Gear 42T **x2**



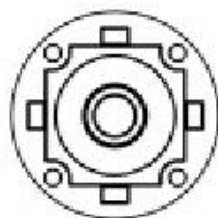
330342A
S104 Aluminum Front Upper Arm Holder (BK) **x1**



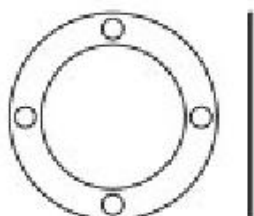
330329
Servo Saver Nut **x1**



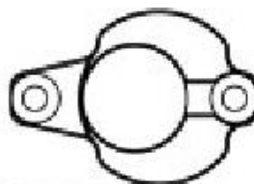
330604
S104 EVO Aluminum Center Motor Mount Cover **x1**



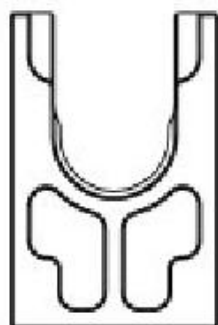
200463
Diff. Case **x3**



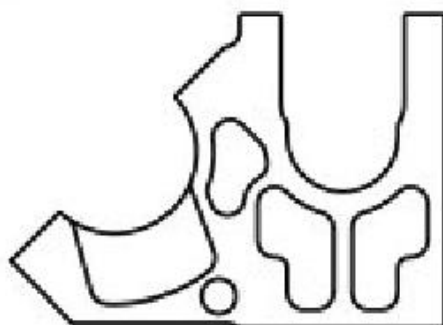
610012
Diff. Gasket(0.4T) **x3**



330603
S104 EVO Aluminum Motor Adjust Mount **x1**



330605
S104 EVO Aluminum Center Diff/Slipper Clutch Mount **x1**



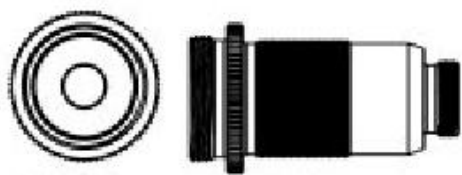
330602
S104 Aluminum Center Slipper Clutch Mount for Motor **x1**



330613
Aluminum Servo Post **x1**



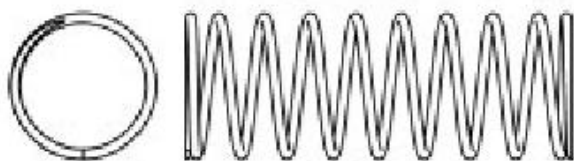
330612
Aluminum Servo Holder **x1**



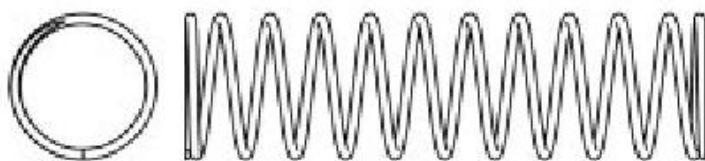
330530
S104EVO/S102 Shock Body (S) x2



330529
S104EVO/S102 Shock Body (L) x2



115090
S104EVO/S102 Front Shock Spring(1.3P5.5) x2



115091
S104EVO/S102 Rear Shock Spring(1.2Px6.0) x2



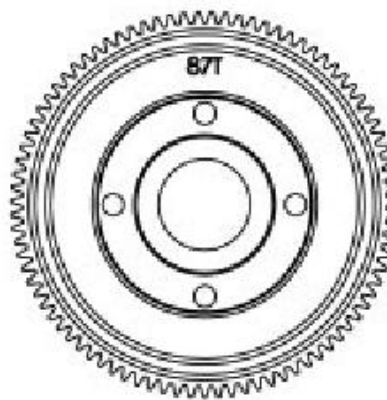
330296A
F/R Drive Shaft 76mm x4



330617
S104 EVO Front Center Drive Shaft 80mm x1



330616
S104 EVO Rear Center Drive Shaft 113mm x1



2502527
Center Gear Diff 87T Spur Gear (48DP) x1



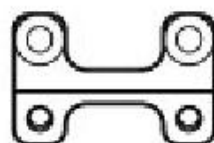
330338A
S104 Aluminum Battery Holder Nut (GM) x1



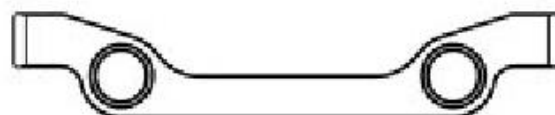
330473
Battery Case Support x2



330546
S102 Shock Cap (SP) x4



330607
Aluminum Rear Center Support Holder x1



330601
Servo Saver Steering Plate x1



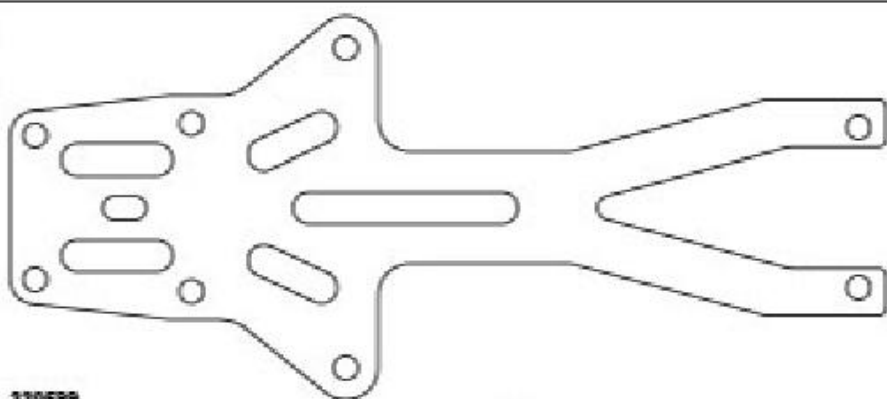
115055
Front Sway Bar 1.3mm x1



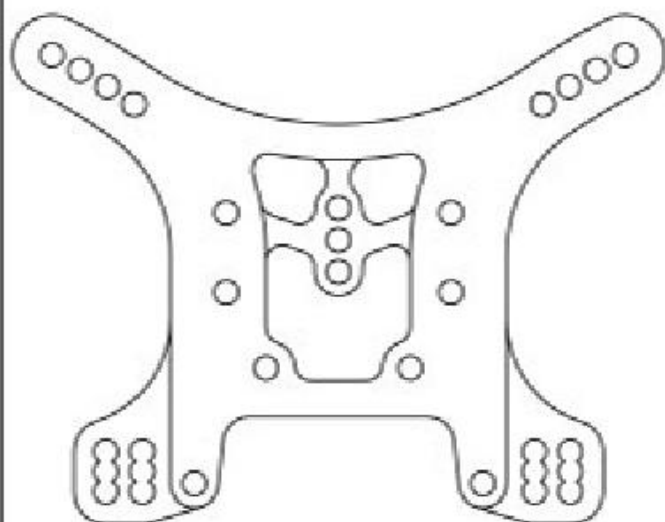
115056
Rear Sway Bar 1.5mm x1



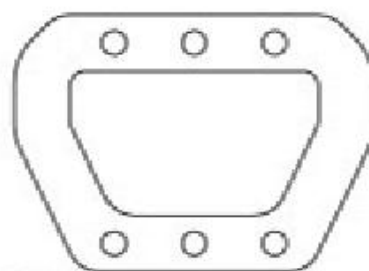
330476
Front Pro-composite Carbon Shock Tower **x1**



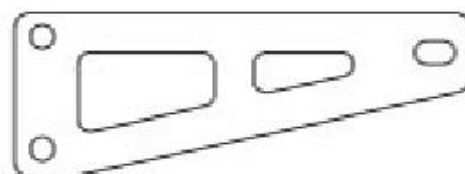
330589
Pro-composite Carbon Center Support (Front) **x1**



330477
Rear Pro-composite Carbon Shock Tower **x1**



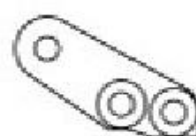
330610
Pro-composite Carbon Center Diff/Slipper Clutch Cover **x1**



330614
Pro-composite Carbon Servo Linkage Plate **x1**



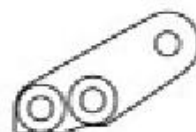
330611
Pro-composite Carbon Battery Case **x2**



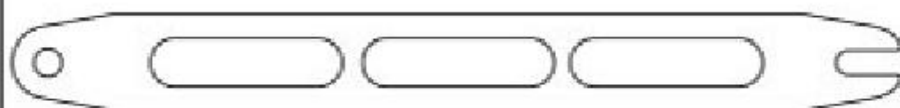
330347A
S104 Pro-composite Carbon Steering Knuckle Plate (L) **x1**



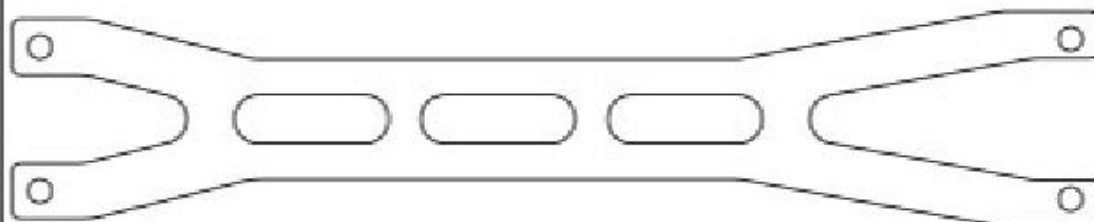
330615
S104 EVO Pro-composite Carbon Chassis Brace **x1**



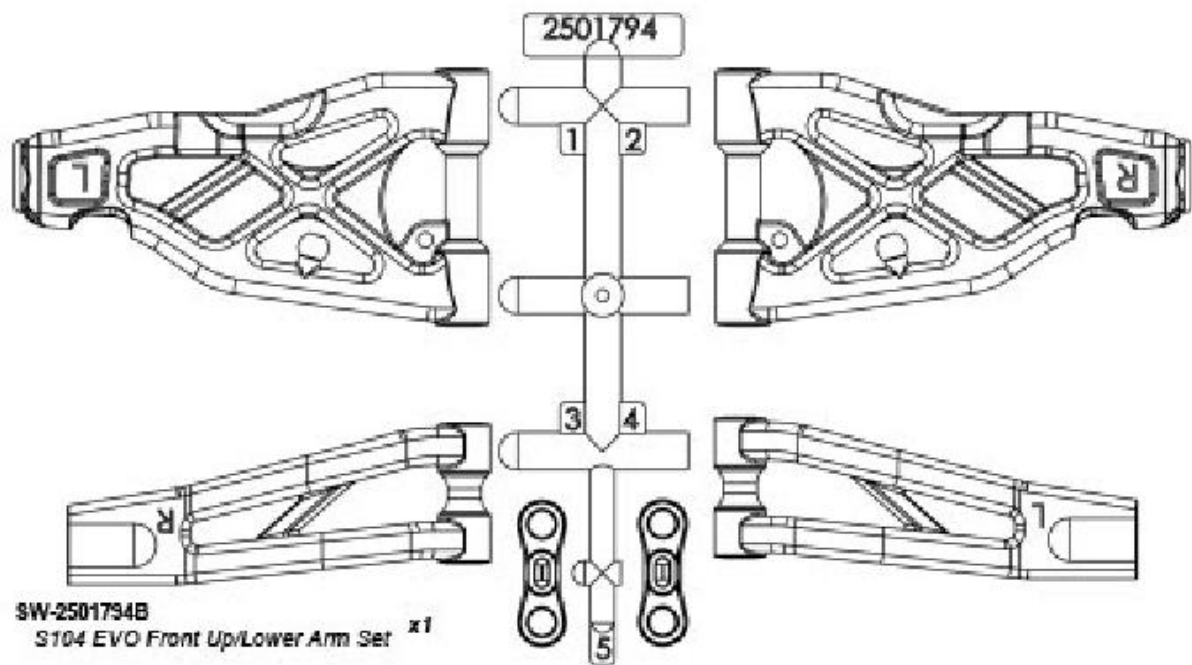
330348A
S104 Pro-composite Carbon Steering Knuckle Plate (R) **x1**



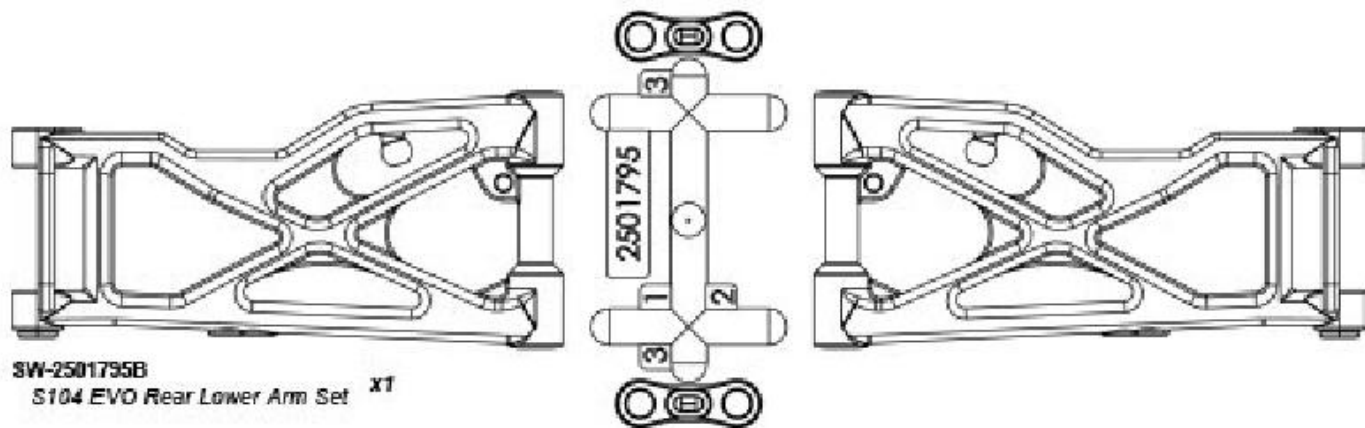
330618
2015 S104 EVO Shorty Pack Pro-composite Carbon Battery Holder **x1**



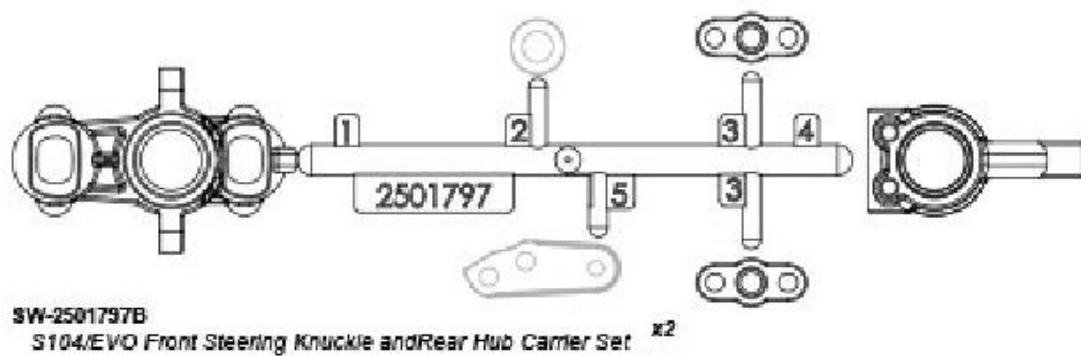
330609
Pro-composite Carbon Center Support (Rear) **x1**



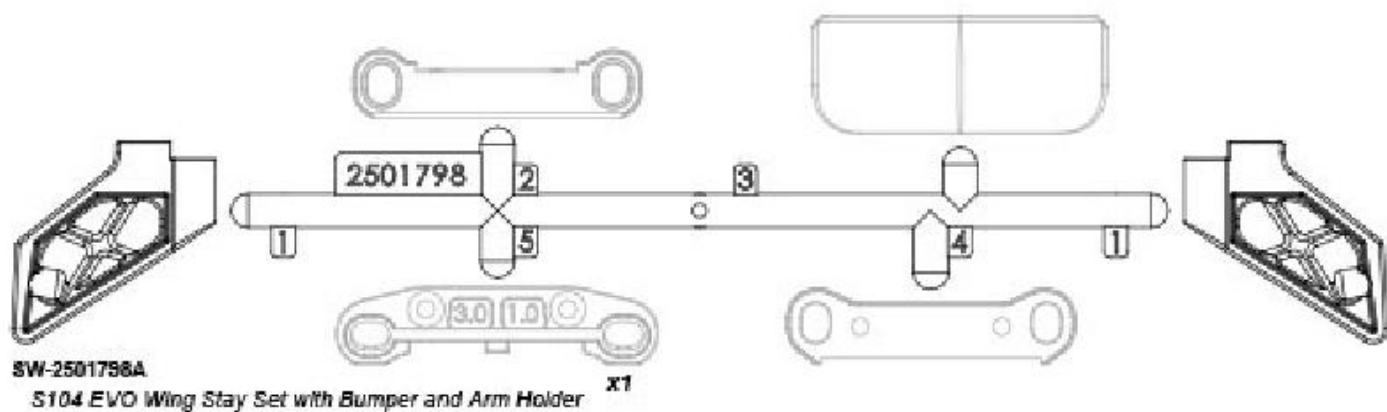
SW-2501794B
S104 EVO Front Upper/Lower Arm Set x1



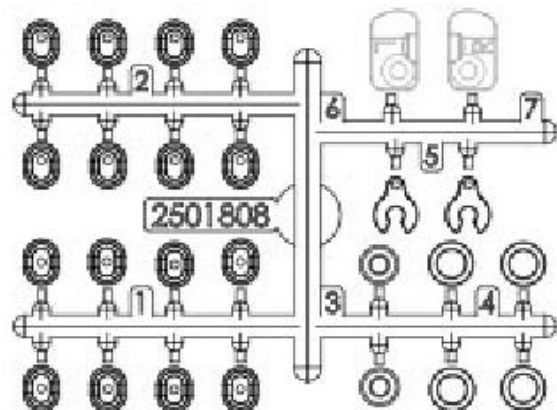
SW-2501795B
S104 EVO Rear Lower Arm Set x1



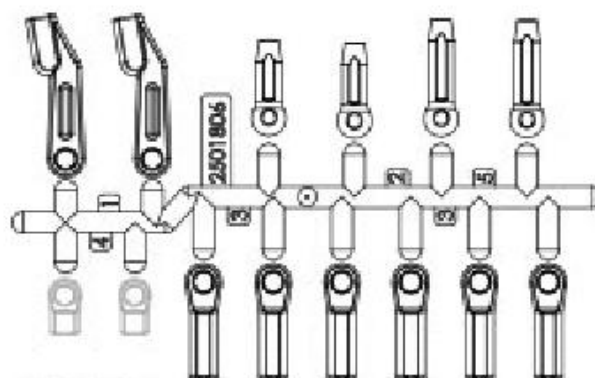
SW-2501797
S104/EVO Front Steering Knuckle and Rear Hub Carrier Set x2



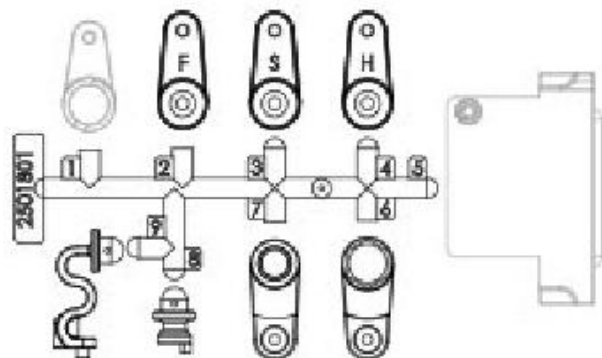
SW-2501798A
S104 EVO Wing Stay Set with Bumper and Arm Holder x1



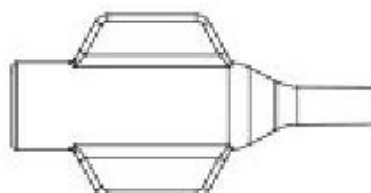
SW-2501808
S104 Plastic Insert Set **x2**



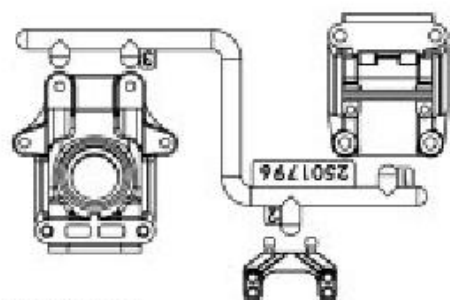
SW-2501806B
S104 EVO Plastic Ball End Set **x1**



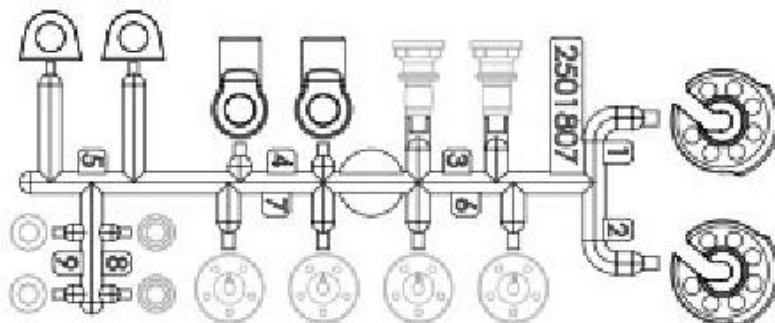
SW-2501801B
S104 EVO Setting Bellcrank Set with Servo Horn Set **x1**



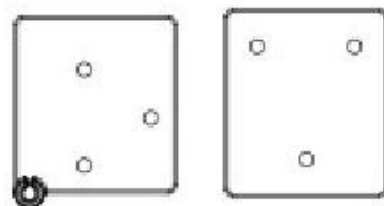
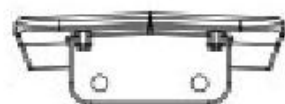
SW-2502212
S104 Saddle Pack Battery Side Guard with Battery Holder Set **x1**



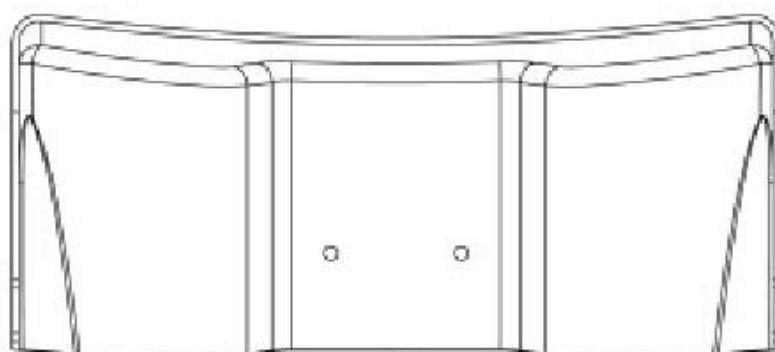
SW-2501736A
S104 Gear Box Set (F&R) **x2**



SW-2501807
S104 Shock Spring Holder with Ball End Plastic Parts **x2**



SW-2502524
SS104 EVO Plastic Bumper Accessories Set **x1**



SW-2501800
S104 Rear Wing Set **x1**



Assemble front and rear



Assemble in the specified order



Assemble both left and right sides



Assemble for 2 sets



Assemble for 4 sets



overturn



Thread Locking Compound



Grease



Pure Silicone Oil

Safety Precautions

The SWORKz S104 EVO is a high performance radio control model which needs to be operated with caution and common sense.

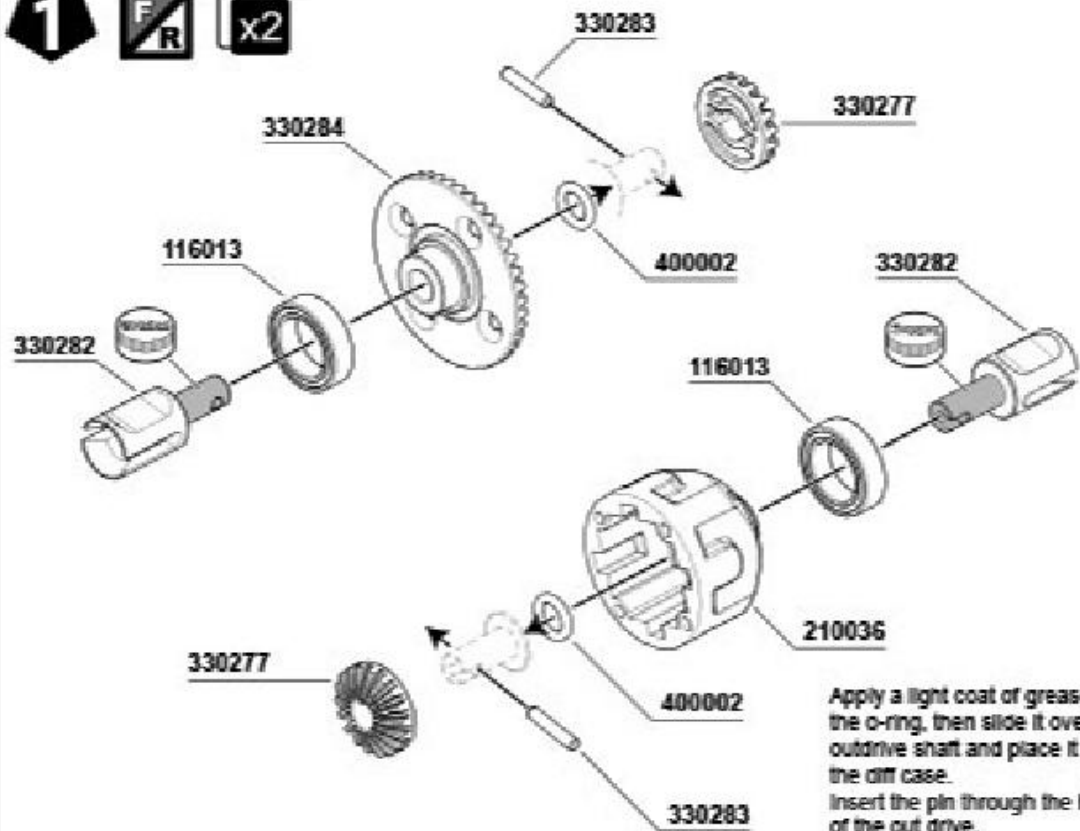
The S104 EVO Pro Kit is not intended for children under the age of 14 without adult supervision. SWORKz shall not be held liable for any loss or damages, whether direct, indirect, act of nature, arising from abuse or misuse of this product or any other product required.

- The LIPO Battery can be dangerous if improperly handled.
- Always keep your LIPO Battery in a cool area and never use it near flames, sparks, or while smoking.
- Keep your LIPO Battery, and all other flammables, out of the reach of children.
- After running your car, all parts of the Motor and ESC can become extremely hot. Be careful not to touch these parts.
- This model is controlled by your radio controller and can be vulnerable to interference from many outside sources. This interference can cause a loss of control so it is necessary to operate this model in an open area to avoid personal or property damage. Always ensure turning on your radio first.
- Keep all the products included in the package out of the reach of children.
- This model contains many fast rotating parts. Never touch them during operation.
- Follow the instructions included with your radio gear.
- Never operate your model near people or property. The speed of this model has the potential to injure people and or damage property if misused.
- Always use original SWORKz spare parts and option parts.
- Always ensure that the buggy is in proper working condition before use.
- Always exercise caution when using any tools.

BAG B

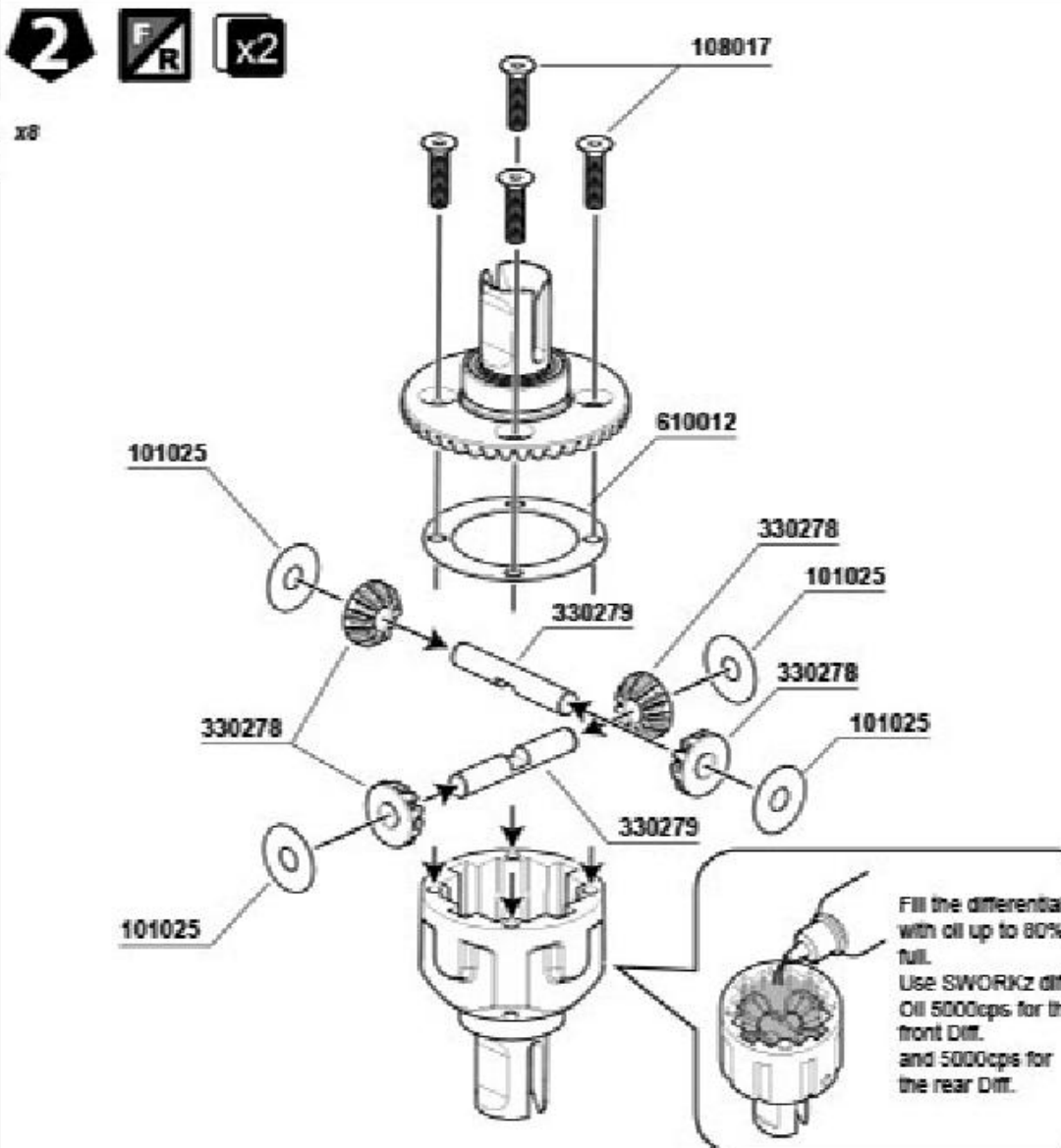
1  

-  **330283**
Pin M2x10mm *x4*
-  **400002**
O-ring S5 4.8x1.5 *x4*
-  **116013**
Ball Bearing 10x15x4mm *x4*

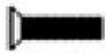
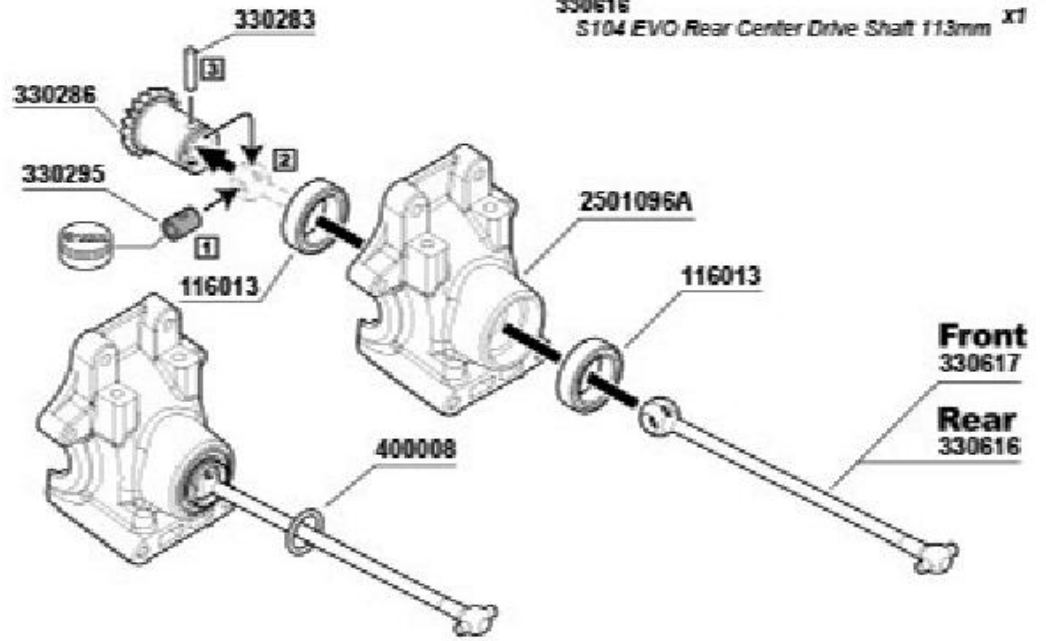
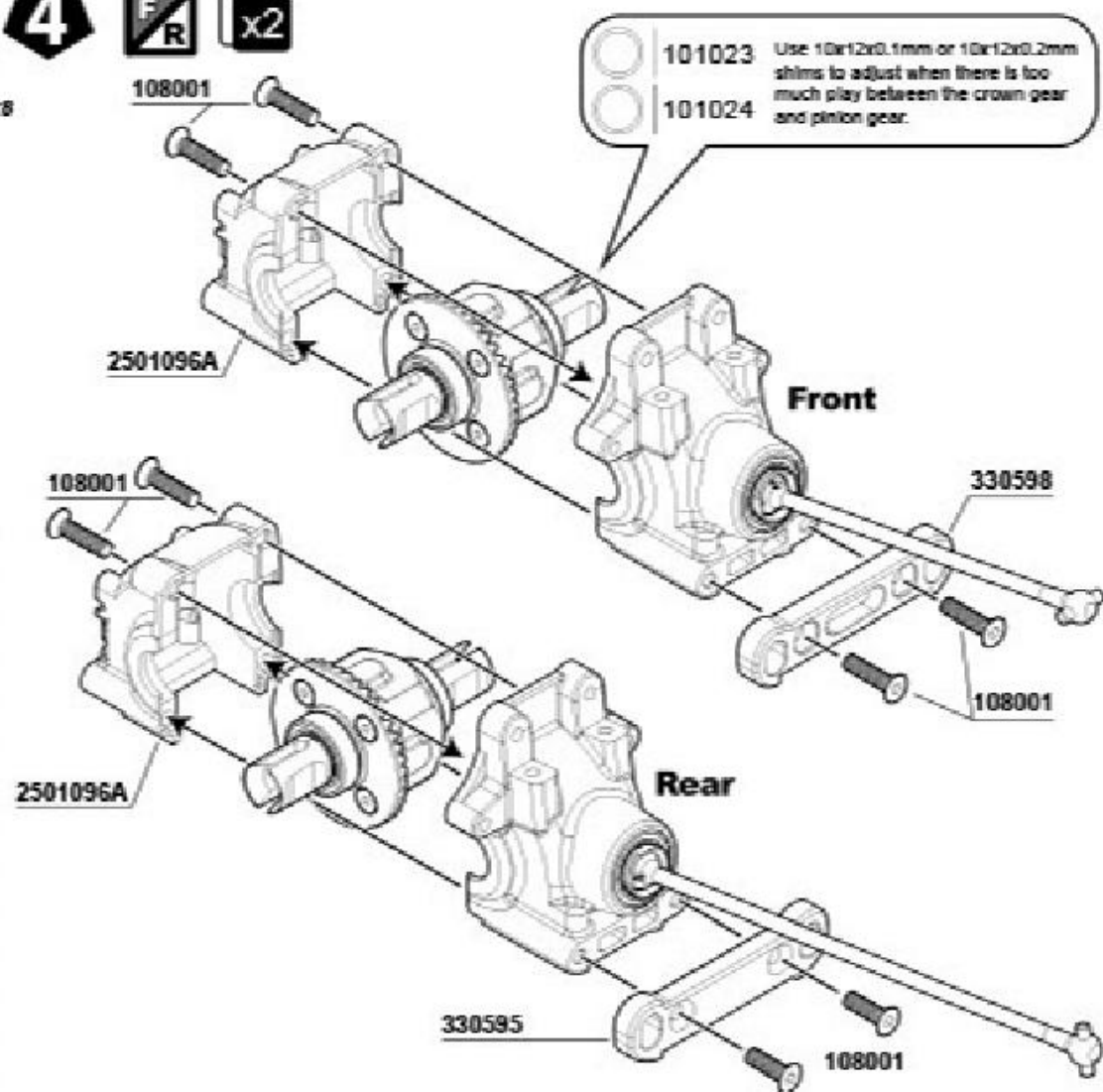


Apply a light coat of grease to the o-ring, then slide it over the outdrive shaft and place it in the diff case. Insert the pin through the hole of the out drive.

-  **108017**
M2.6x10mm FH/ST HEX Screw *x8*
-  **330279**
Bevel Gear Shaft *x4*
-  **101025**
Shim 3.5x10x0.1mm *x8*



Fill the differentials with oil up to 80% full. Use SWORKz diff. Oil 5000cps for the front Diff. and 5000cps for the rear Diff.

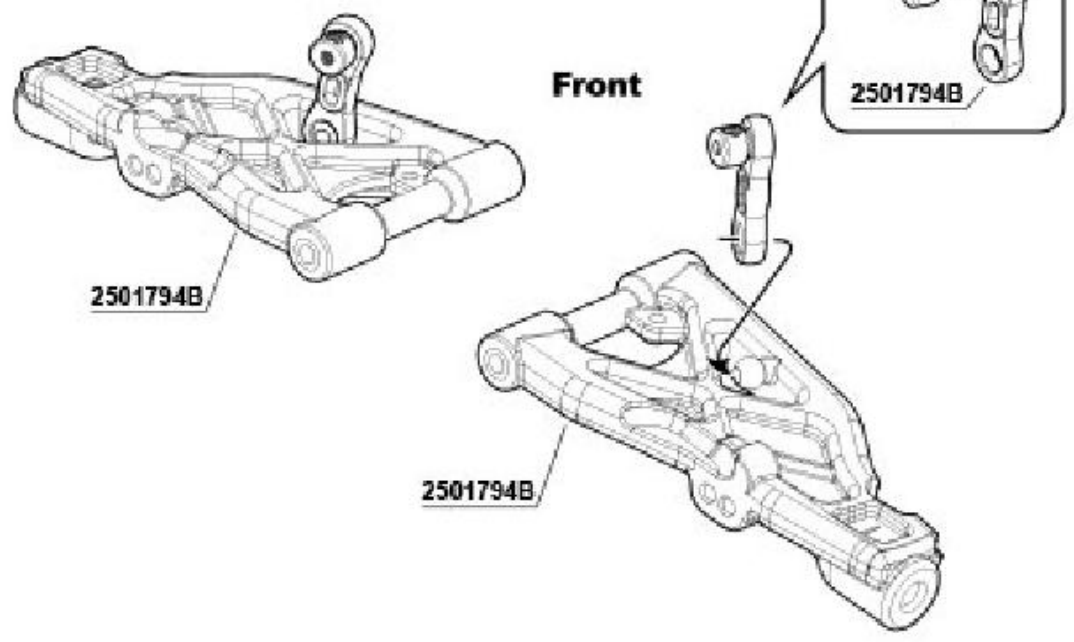
BAG D**3****F**
R**x2****1**
2
3**Front**330617
S104 EVO Front Center Drive Shaft 80mm x1**Rear**330616
S104 EVO Rear Center Drive Shaft 113mm x1**BAG M**330283
Pin M2x10mm x2330295
CVD Joint x2400008
O-ring for Pinion Gear x2116013
Ball Bearing 10x15x4mm x4108001
M3x12mm FH/ST HEX Screw x8101023
10x12x0.1mm S104 Shim x8101024
10x12x0.2mm S104 Shim x2**4****F**
R**x2**

BAG D


BAG M

5 **R/L** **x2**

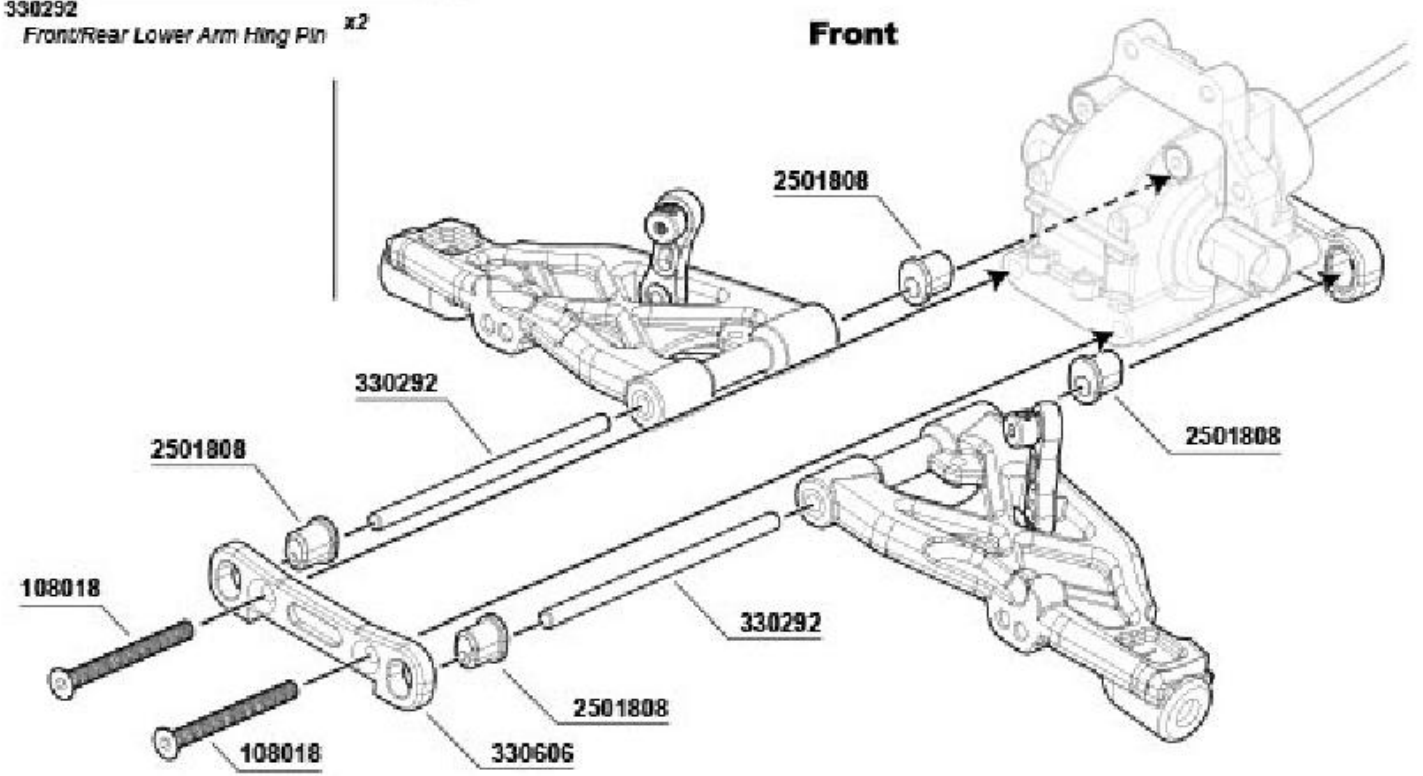

330315
Sway Bar Ball Stud **x2**



6

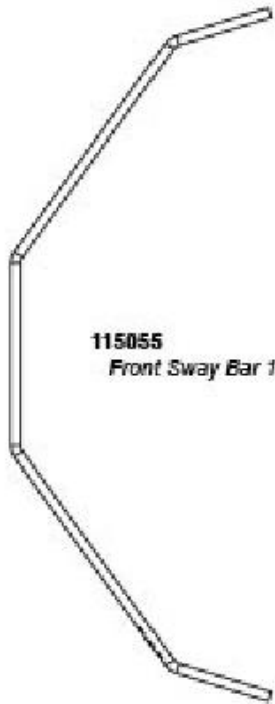

108018
M3x30mm FH/ST HEX Screw **x2**


330292
Front/Rear Lower Arm Hing Pin **x2**

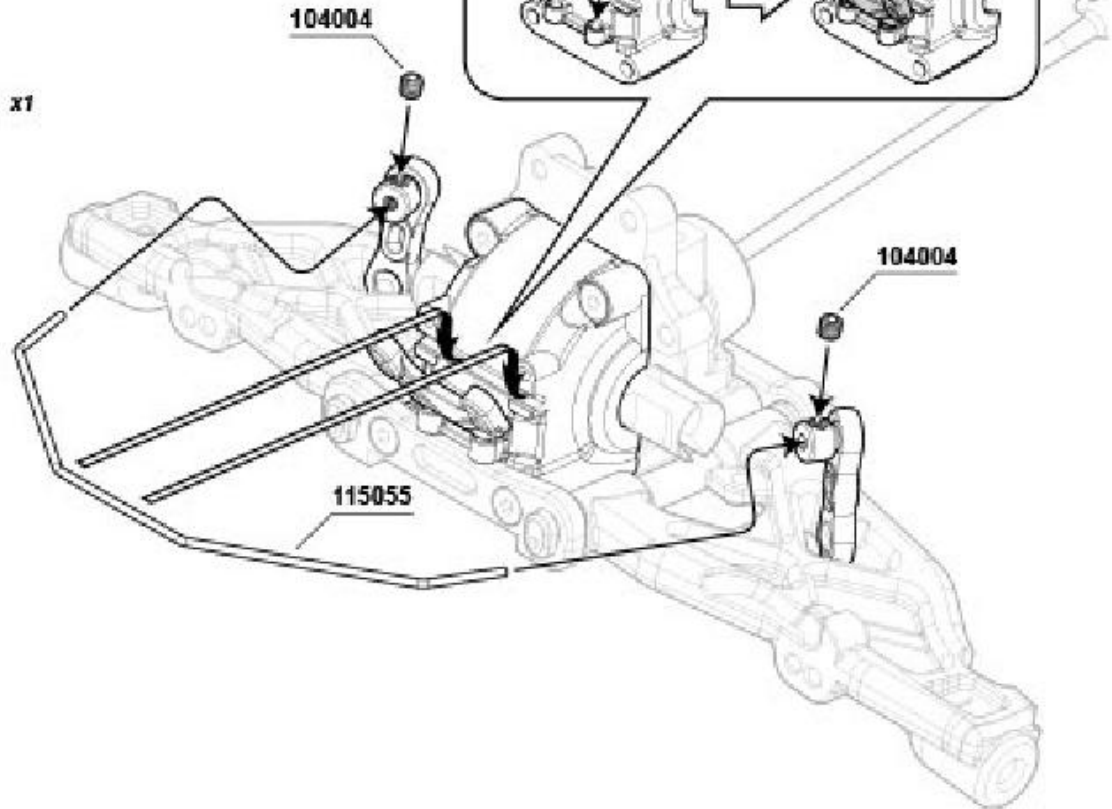
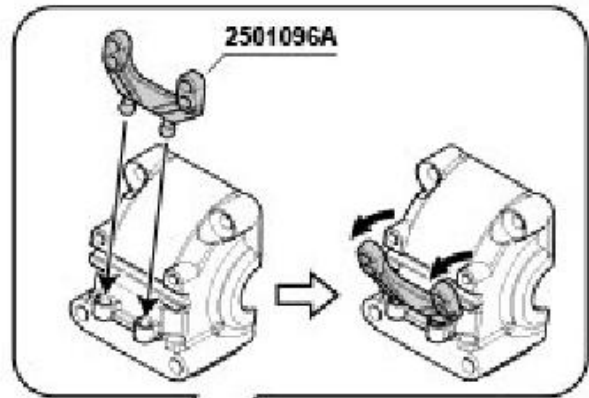


7

104004
M3x3mm Set Screw x2



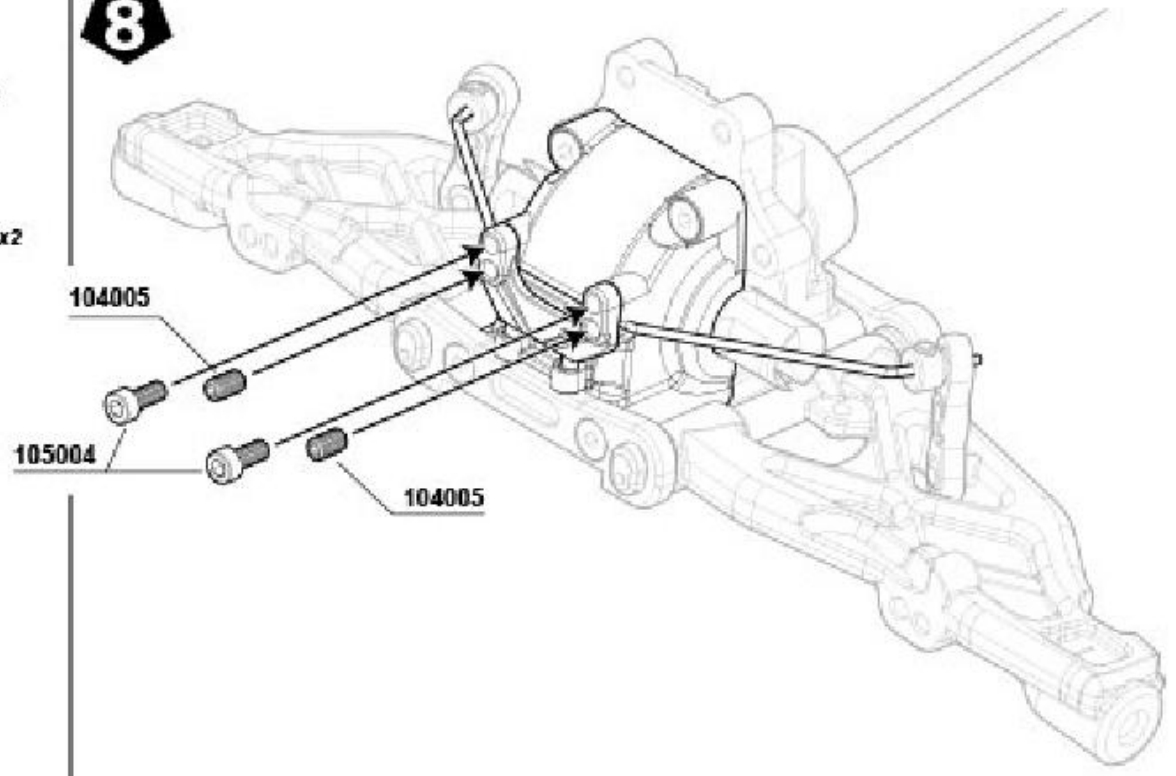
115055
Front Sway Bar 1.3mm x1



8

104005
M3x4mm Set Screw x2

105004
M2.0x6mm Cap Screw x2

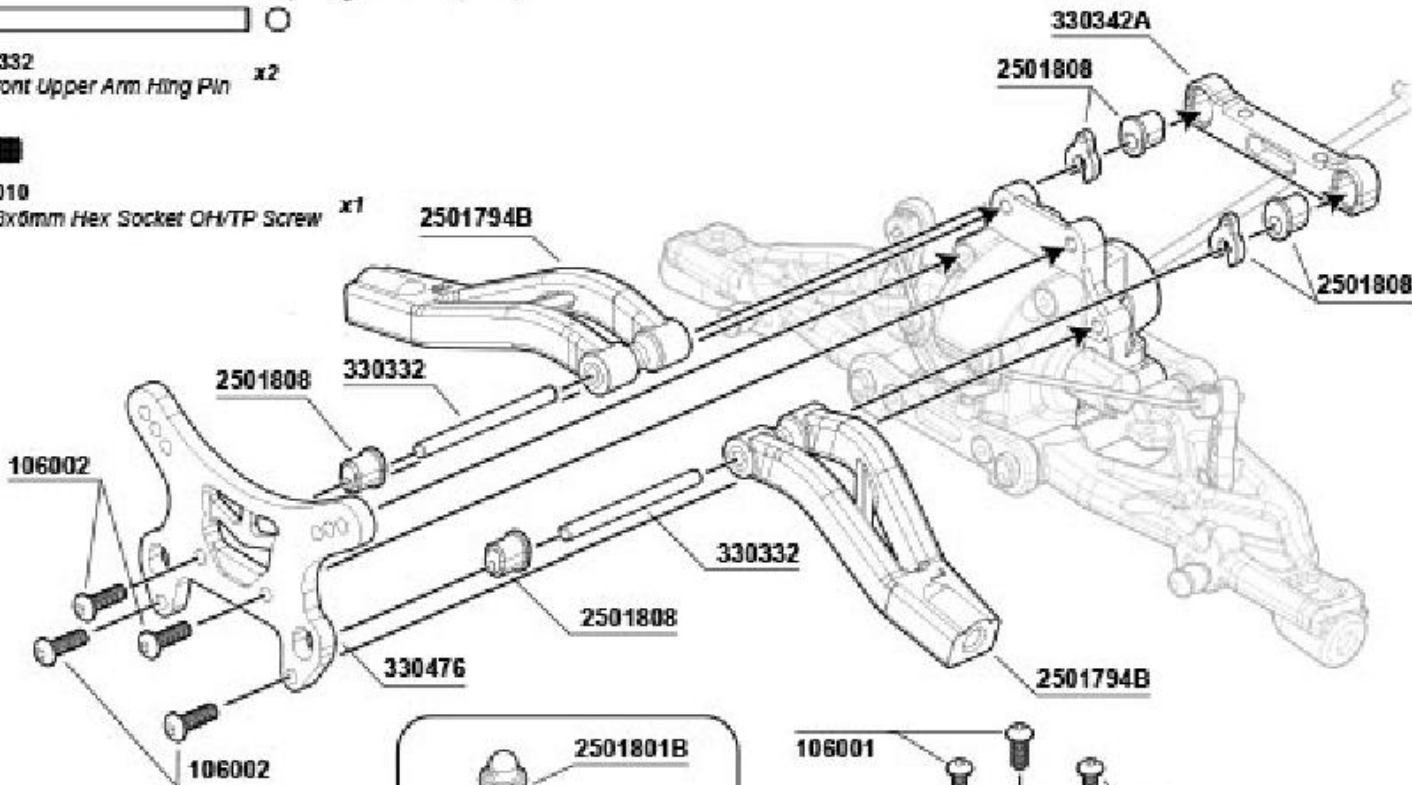


9 **L/R**



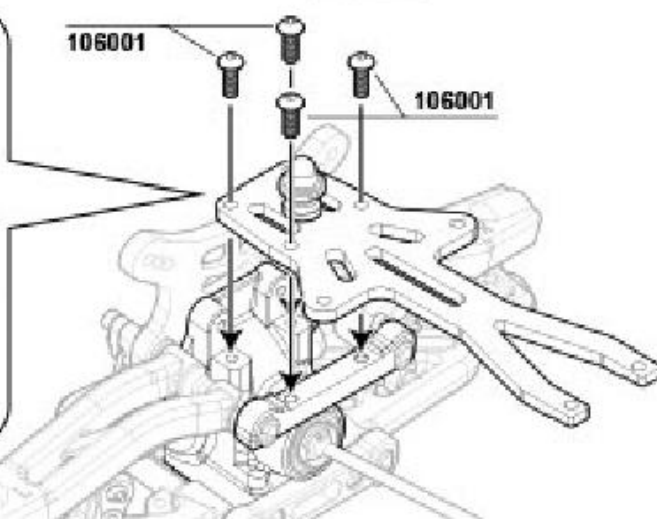
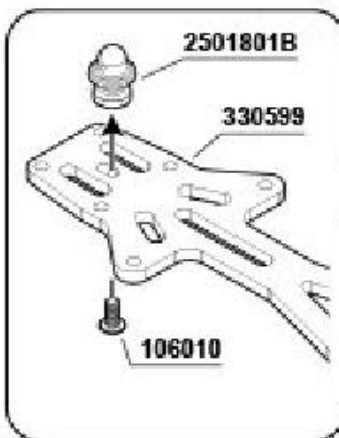
330332
Front Upper Arm Hing Pin **x2**

106010
M3x8mm Hex Socket OH/TP Screw **x1**



106001
M3x8mm Hex Socket OH/TP Screw **x4**

106002
M3x10mm Hex Socket OH/TP Screw **x4**

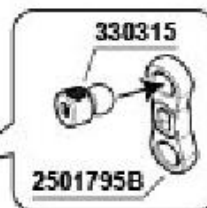


10 **R/L** **x2**

330315
Sway Bar Ball Stud **x2**



Rear

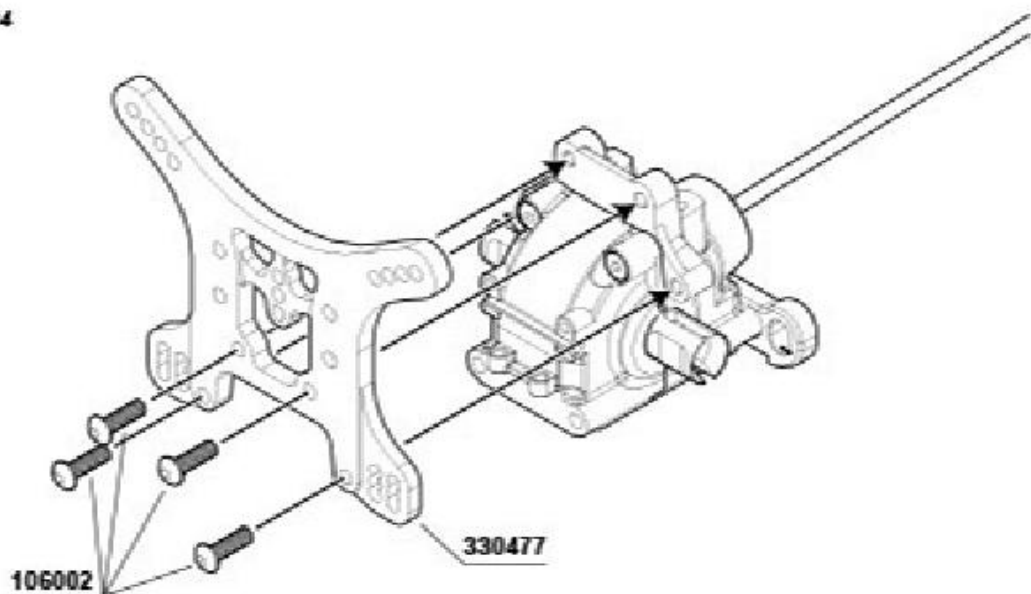


2501795B



106002
M3x10mm Hex Socket OH/TP Screw x4

11

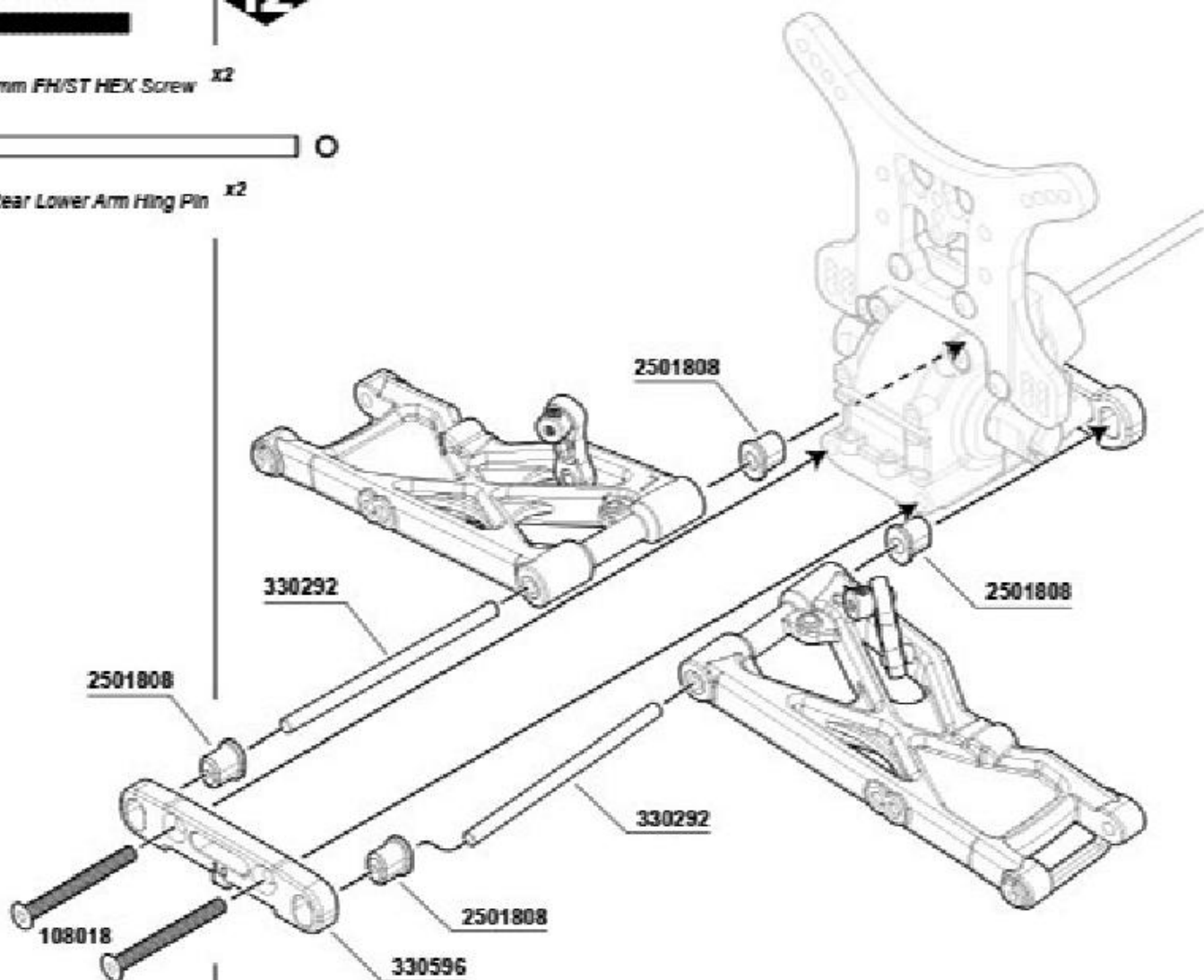


108018
M3x30mm FH/ST HEX Screw x2

12



330292
Front/Rear Lower Arm Hing Pin x2

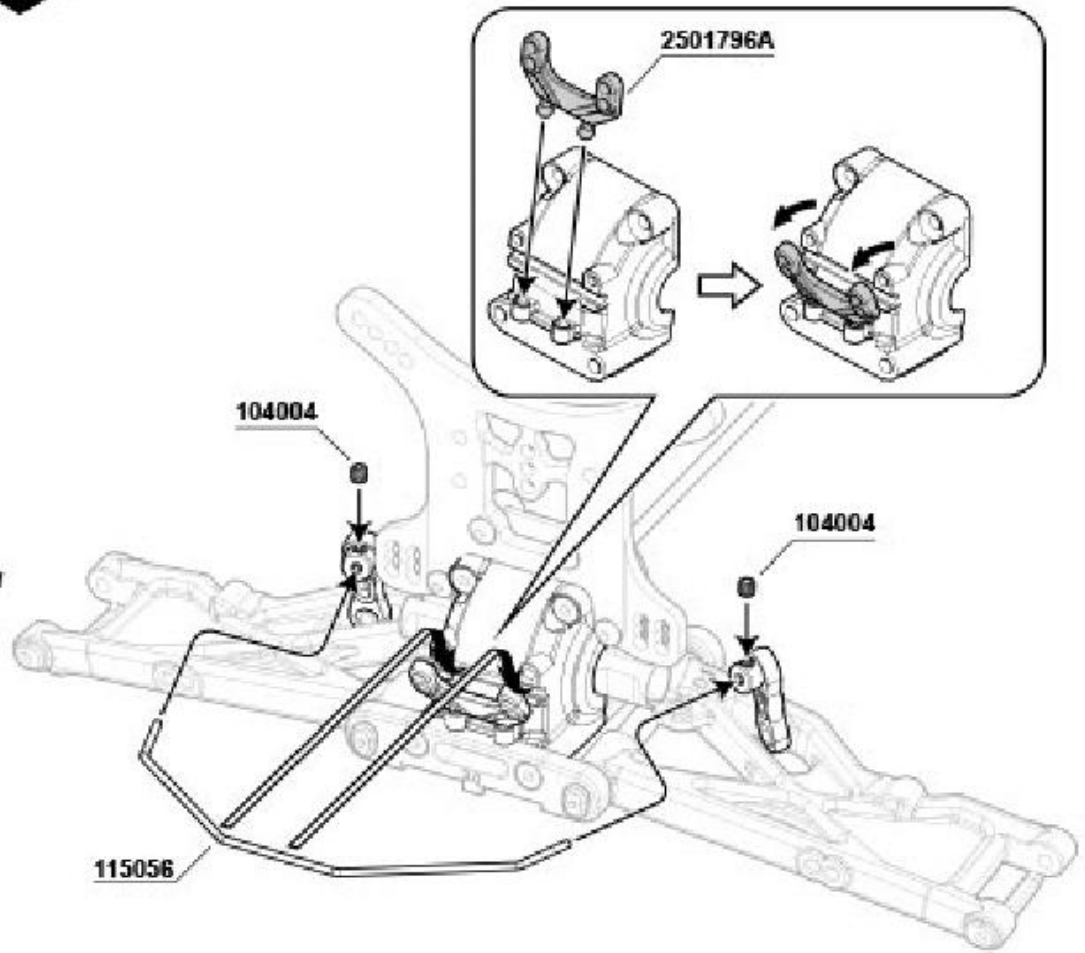


BAG D**13****BAG M 1**

104004
M3x3mm Set Screw x2



115056
Rear Sway Bar 1.5mm x1



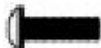
104005
M3x4mm Set Screw x2



105004
M2.0x6mm Cap Screw x2



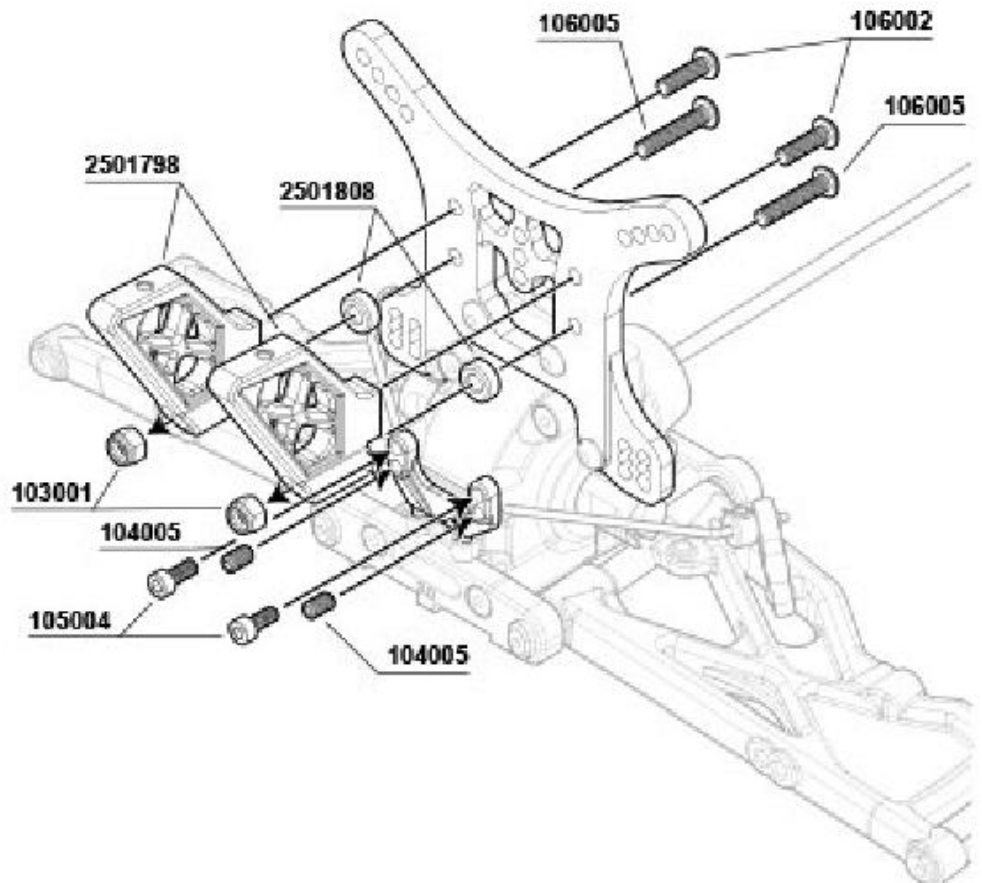
103001
M3 Nut Lock x2



106002
M3x10mm Hex Socket OH/TP Screw x2



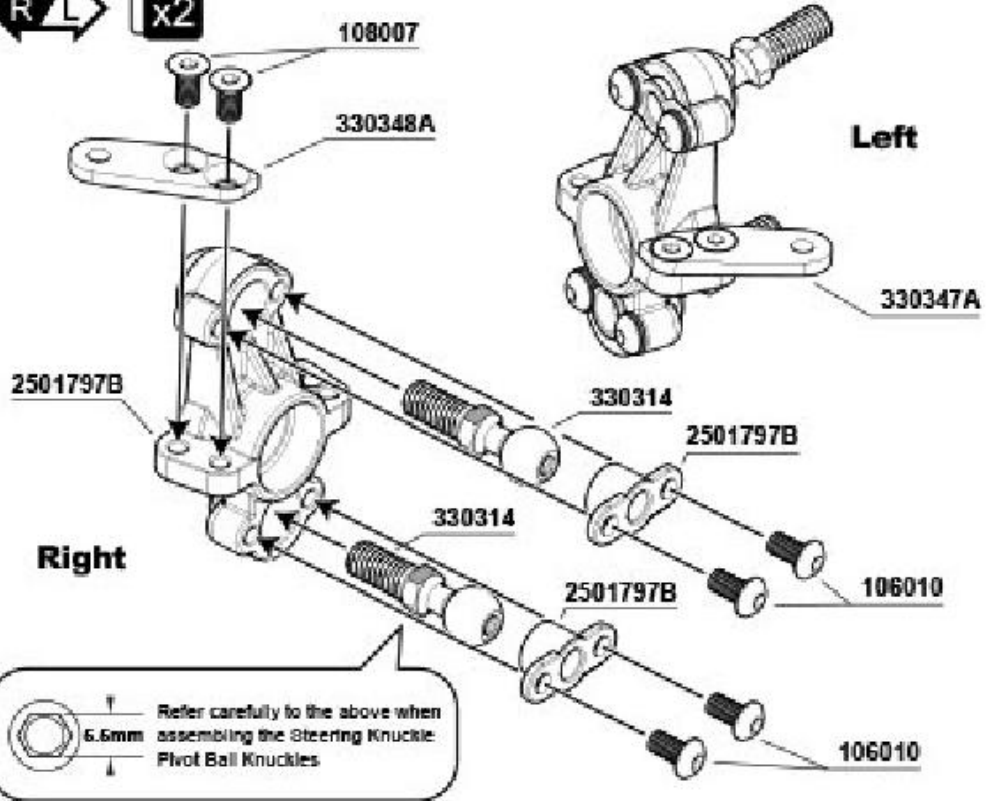
106005
M3x15mm Hex Socket OH/TP Screw x2

14

106010
M3x8mm Hex Socket OH/TP Screw **x8**

108007
M3x6mm FH/ST HEX Screw **x4**

330314
Steering Knuckle Pivot Ball Tumbuckle **x4**



104008
M4x4mm Set Screw **x2**

330295
CVD Joint **x2**

330283
Pin M2x10mm **x2**

330285
Pin M2x14mm **x2**

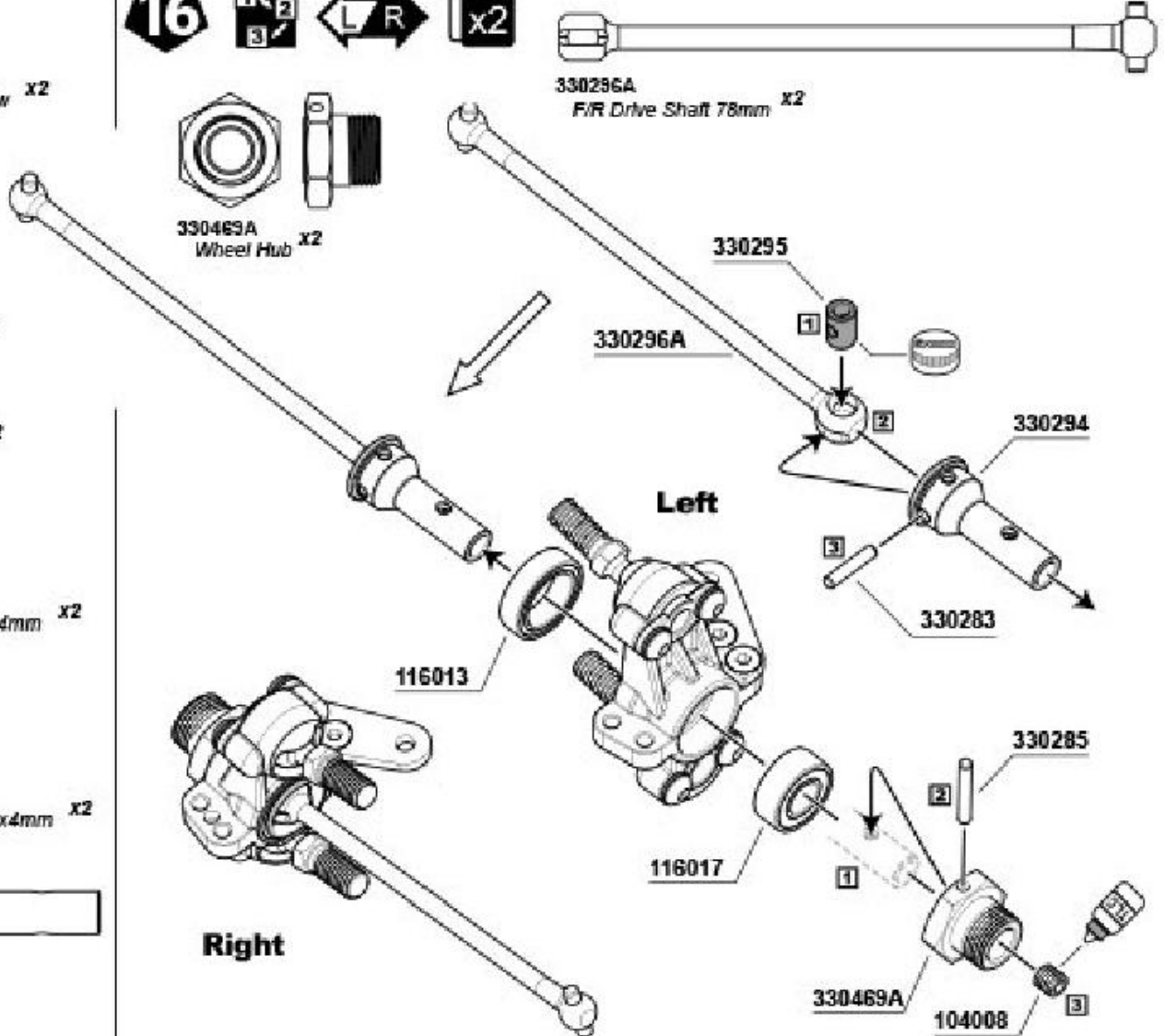
116017
Ball Bearing 0x12x4mm **x2**

116013
Ball Bearing 10x15x4mm **x2**

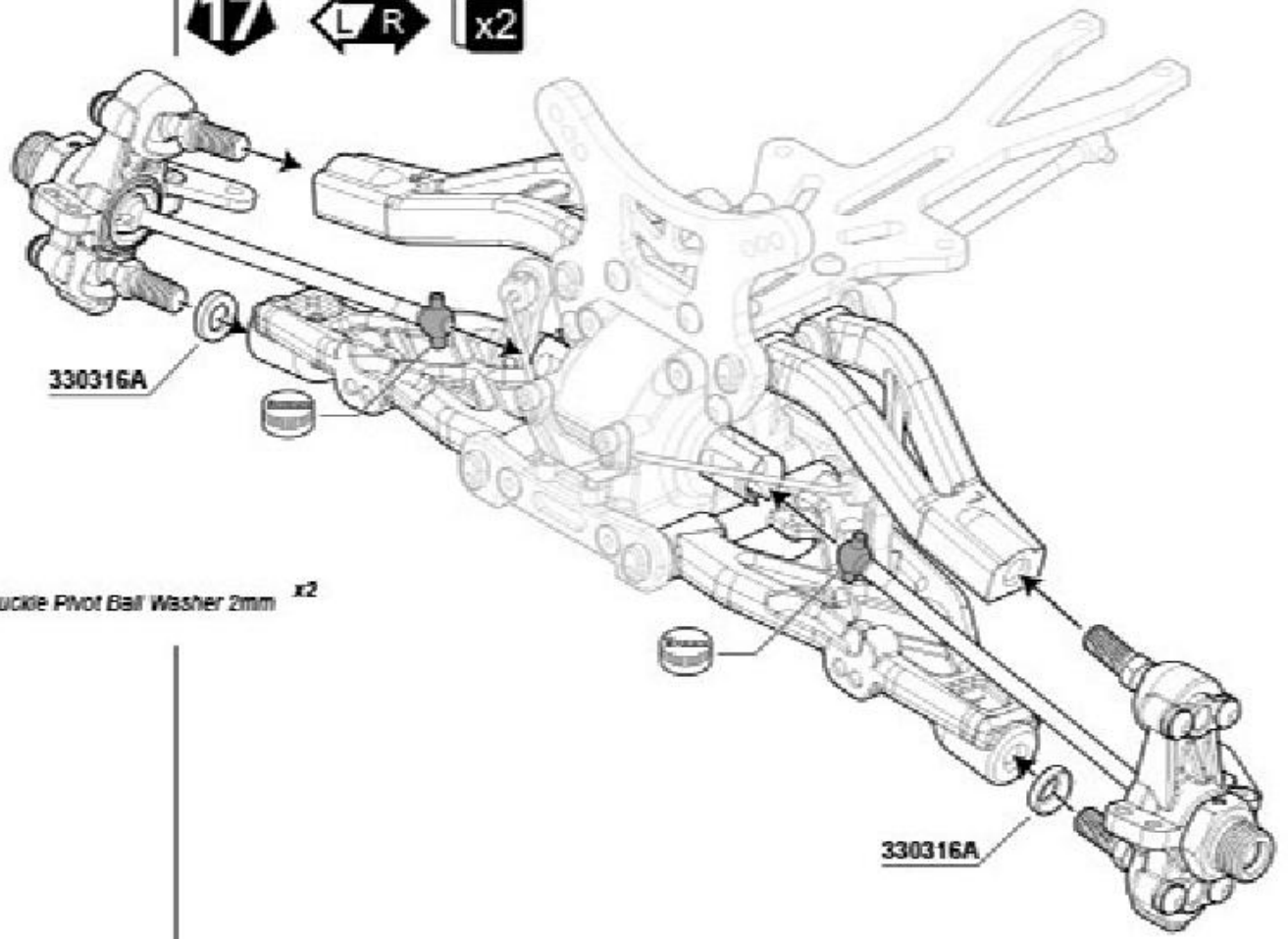
330294
CVD Axle **x2**

330469A
Wheel Hub **x2**

330296A
F/R Drive Shaft 78mm **x2**



17 **L/R** **x2**



330316A
Aluminum Knuckle Pivot Ball Washer 2mm **x2**

104008
M4x4mm Set Screw **x2**

330295
CVD Joint **x2**

330283
Pin M2x10mm **x2**

330285
Pin M2x14mm **x2**

116017
Ball Bearing 0x12x4mm **x2**

116013
Ball Bearing 10x15x4mm **x2**

330294
CVD Axle **x2**

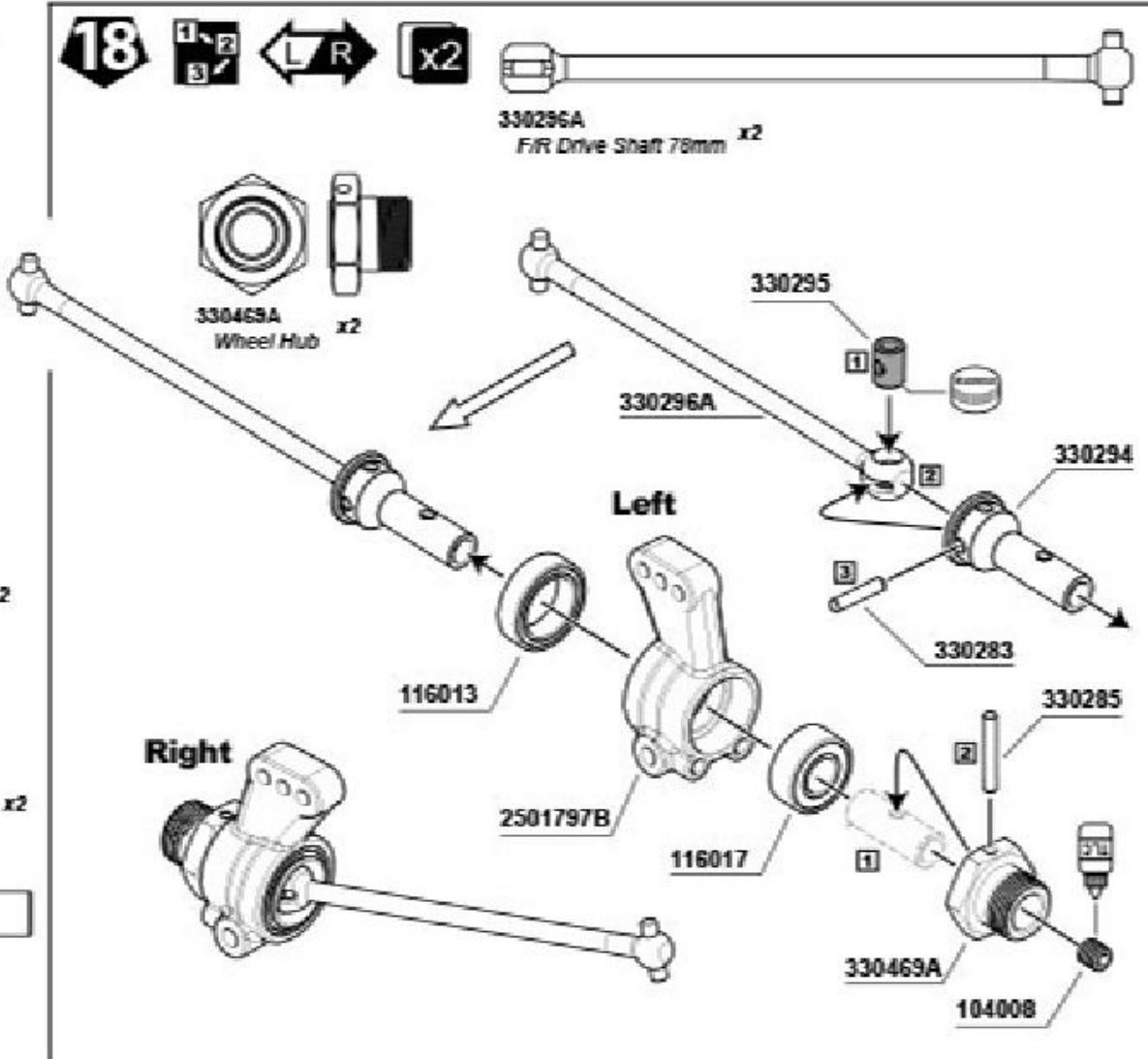
18 **L/R** **x2**



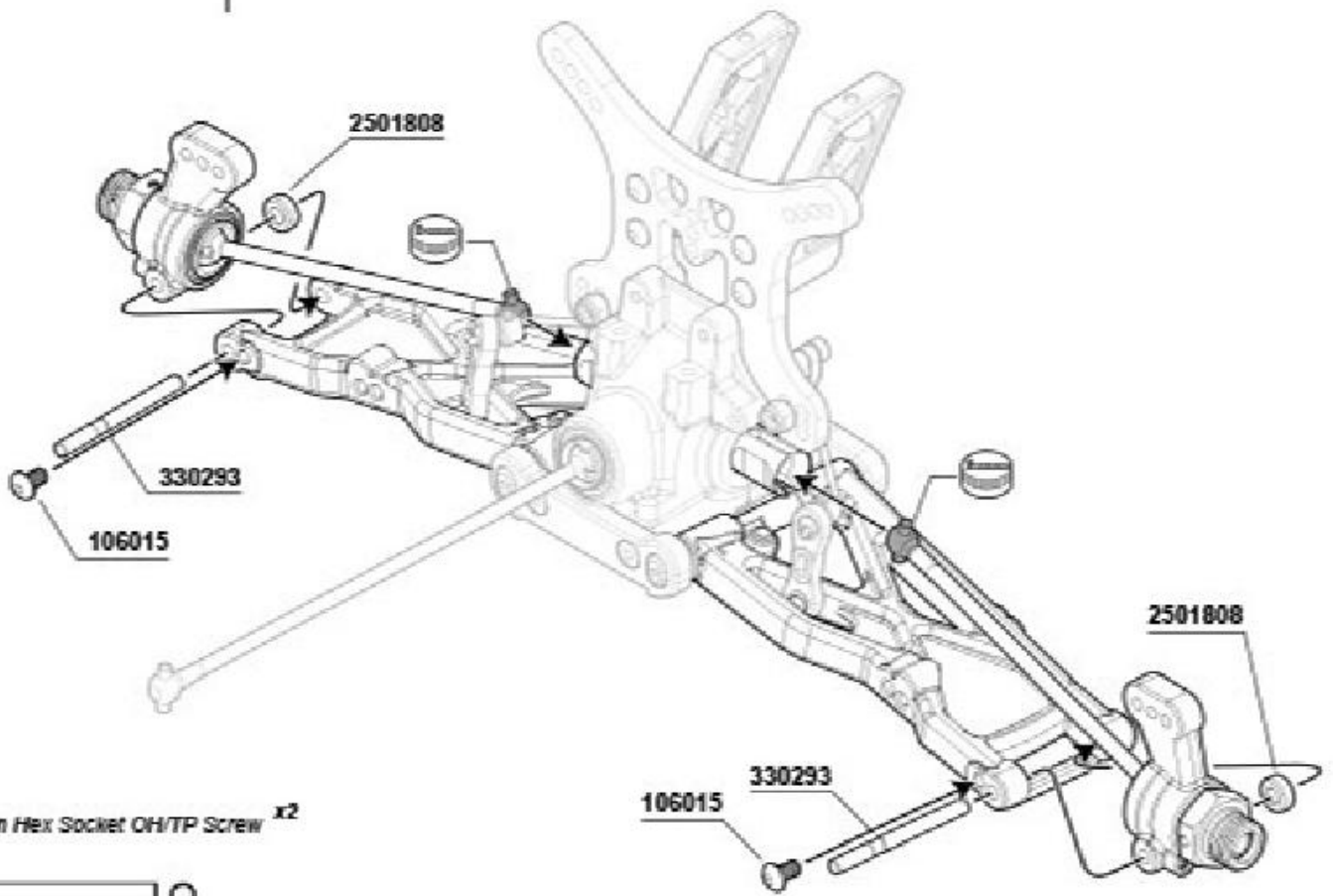
330296A
F/R Drive Shaft 78mm **x2**




330469A
Wheel Hub **x2**




19 **L/R** **x2**



 **106015**
M3x5mm Hex Socket OH/TP Screw **x2**

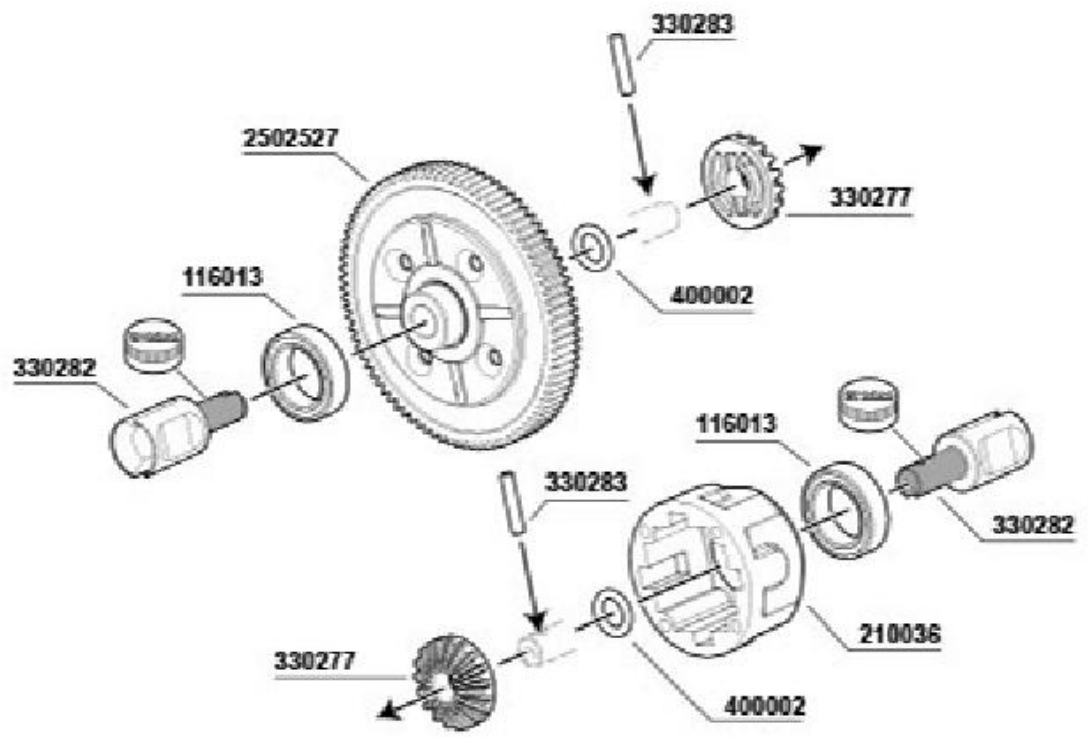
 **330293**
Rear Hub Carriers Hing Pin **x2**

BAG C **20**

 **330283**
Pin M2x10mm **x2**

 **400002**
C-ring S5 4.8x1.5 **x2**

 **116013**
Ball Bearing 10x15x4mm **x2**



BAG C**21**

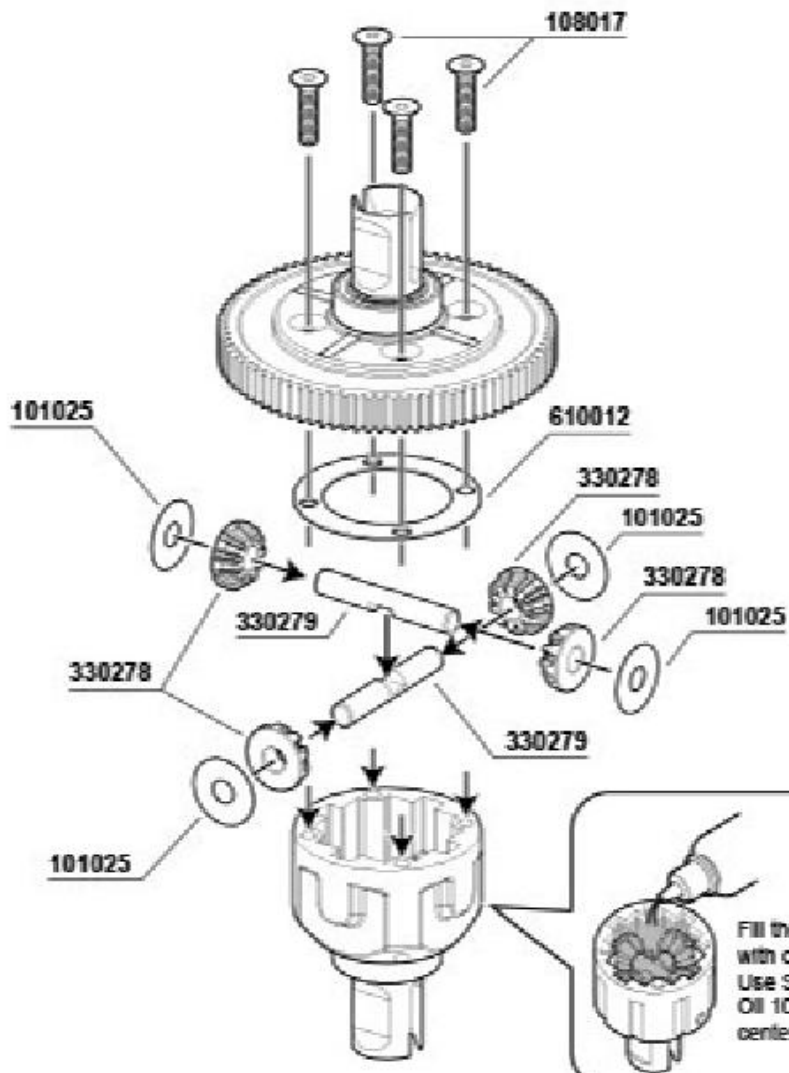
108017
M2.0x10mm FH/ST HEX Screw x4



330279
Bevel Gear Shaft x2



101025
Shim 3.5x10x0.1mm x4



Fill the differentials with oil up to 60% full. Use SWORKz diff. Oil 100000cps for the center Diff.

BAG F**22**

103001
M3 Nut Lock x2



117003
Flange Ball Bearing 3x0x2.5mm x4



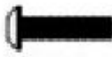
117004
Bushing 5x8x2.5mm x2



330331
Steering Linkage Ball Stud 5mm x1



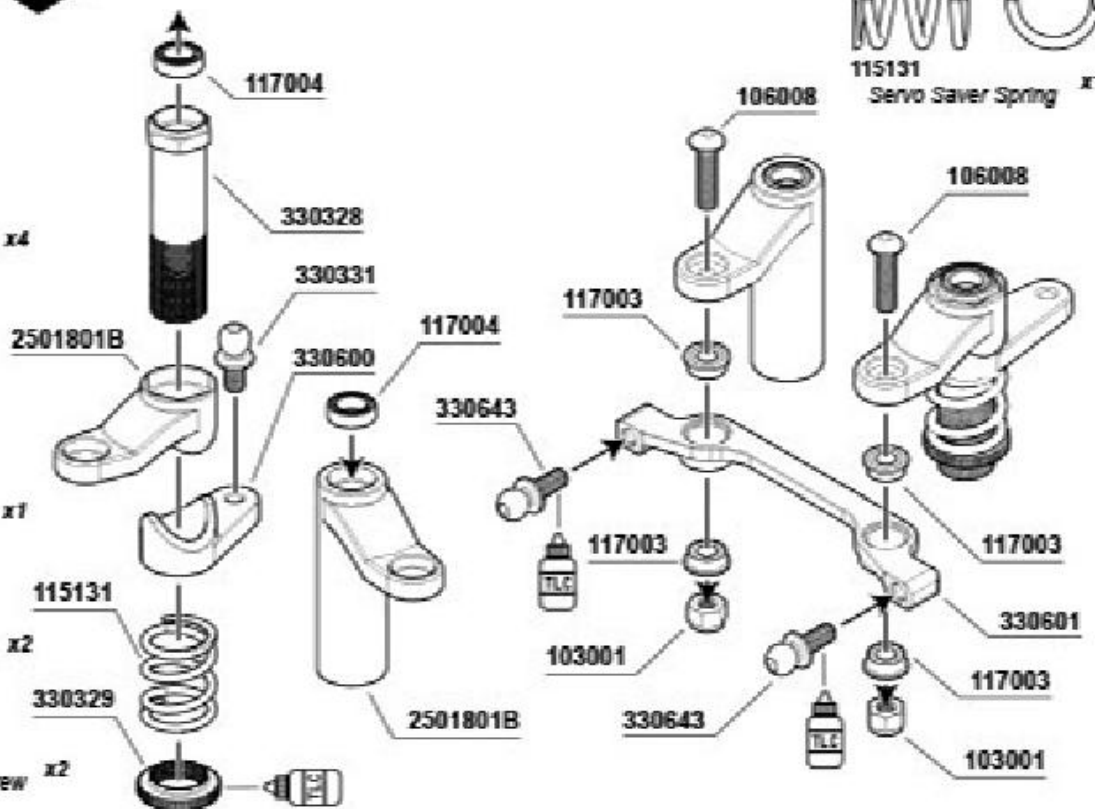
330643
Steering Linkage Ball Stud 5mm x2



106008
M3x12mm Hex Socket CH/TP Screw x2



115131
Servo Saver Spring x1

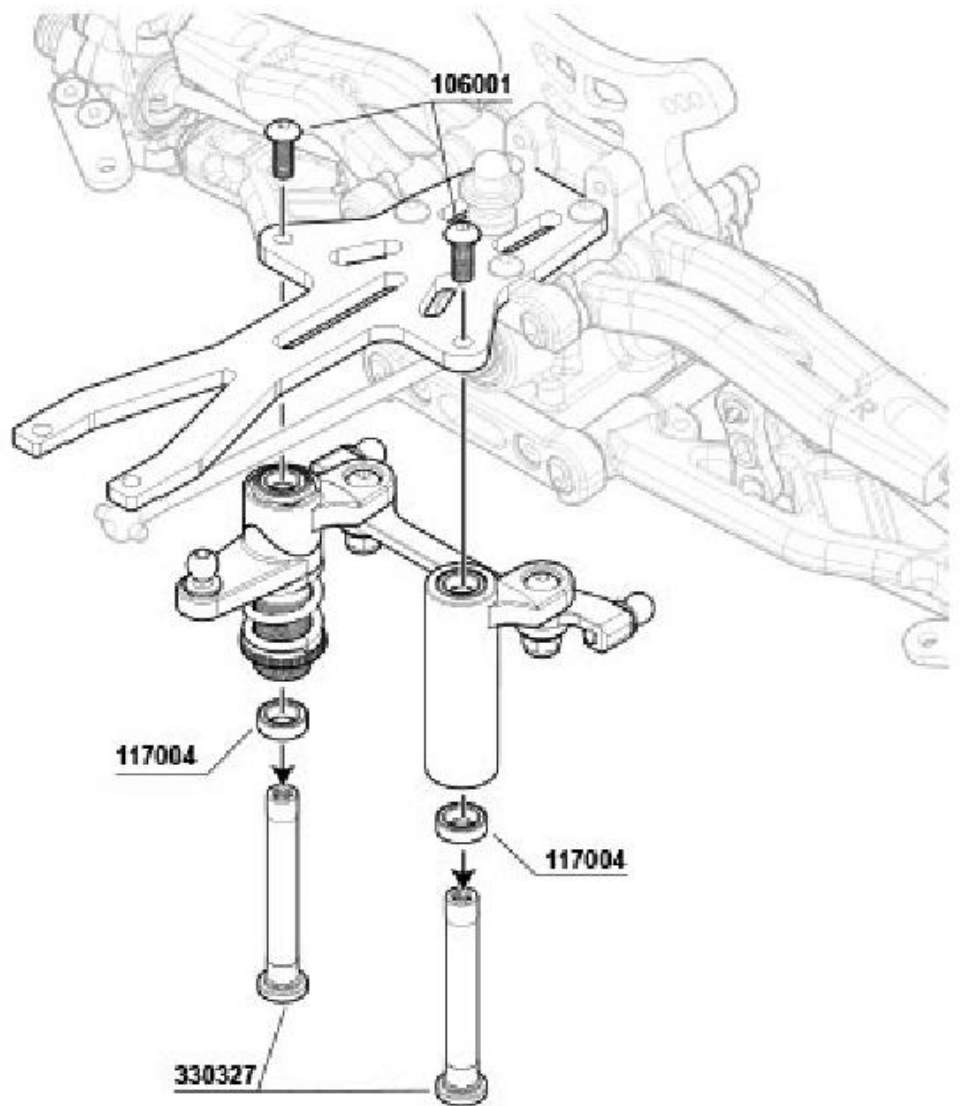




106001
M3x8mm Hex Socket OH/TP Screw **x2**



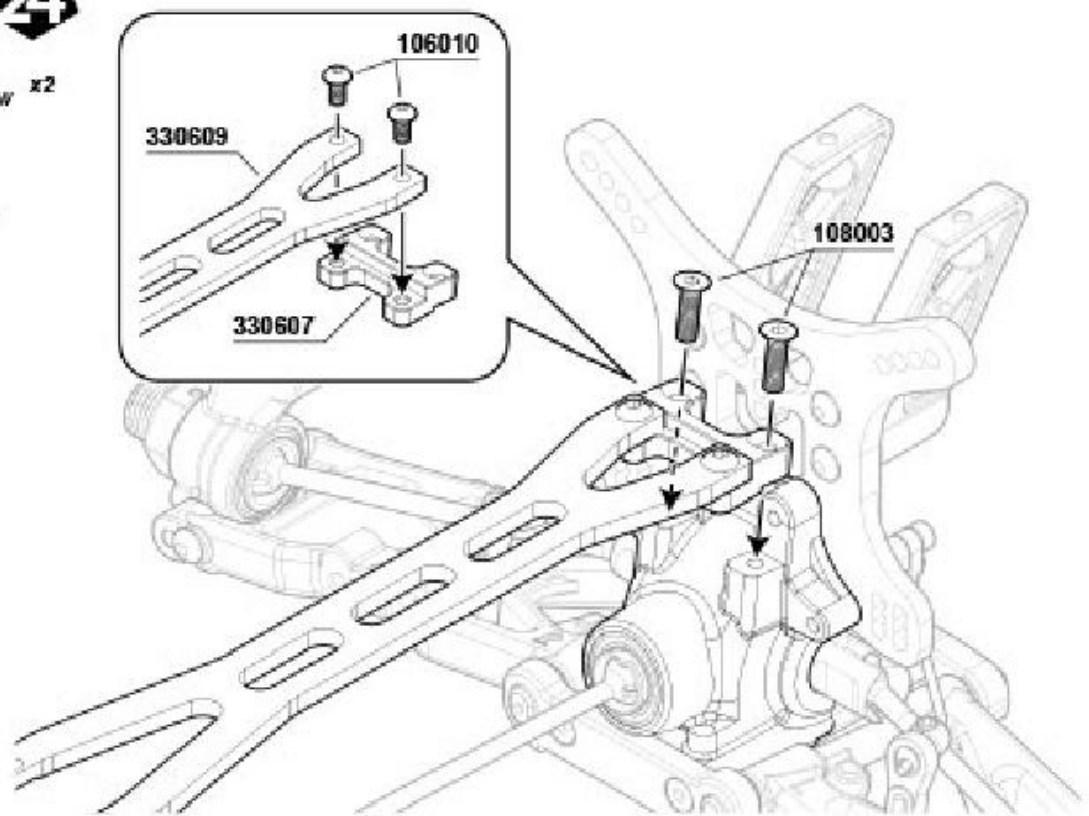
117004
Bushing 5x8x2.5mm **x2**



106010
M3x6mm Hex Socket OH/TP Screw **x2**



108003
M3x10mm FH/ST HEX Screw **x2**

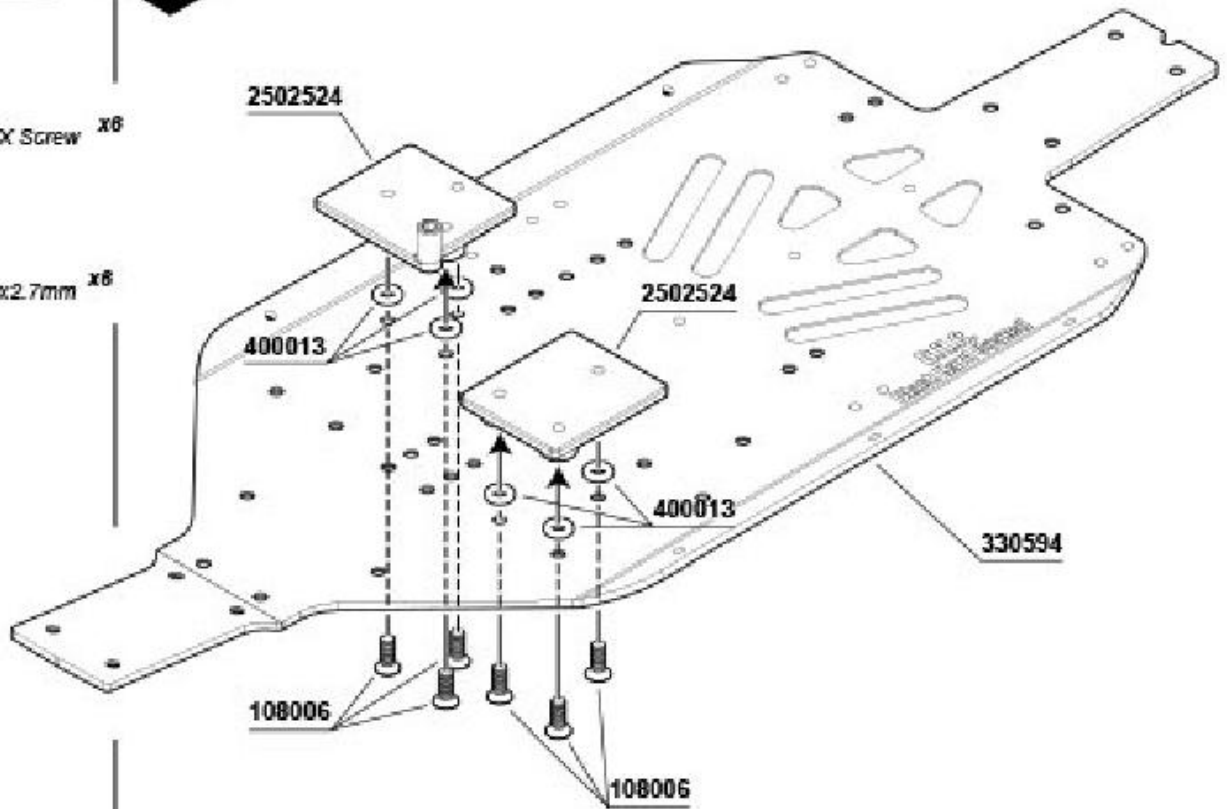




108006
M3x8mm FH/ST HEX Screw x6



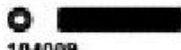
400013
Shock Seal O-ring 2x2.7mm x6



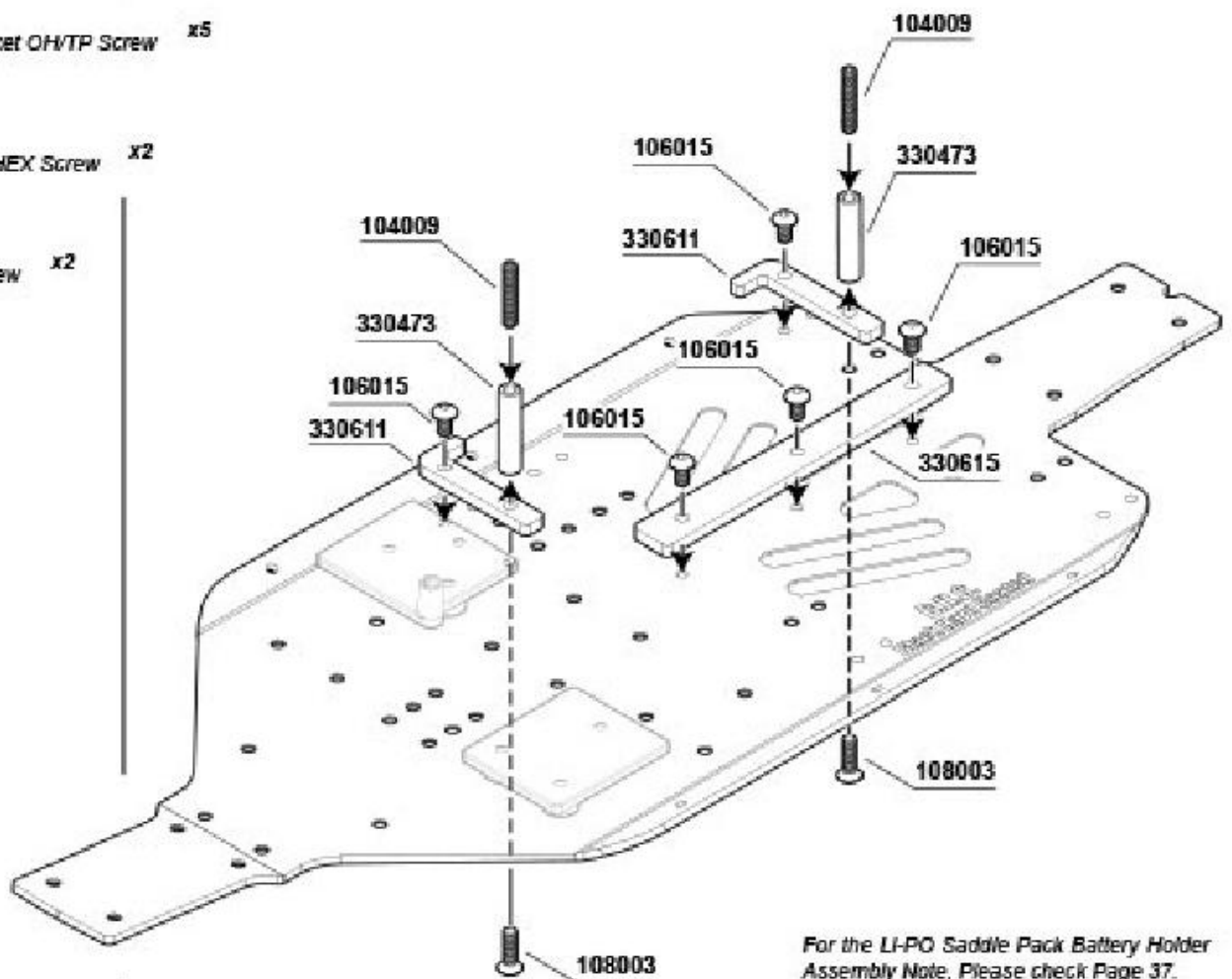
106015
M3x5mm Hex Socket OH/TP Screw x5



108003
M3x10mm FH/ST HEX Screw x2



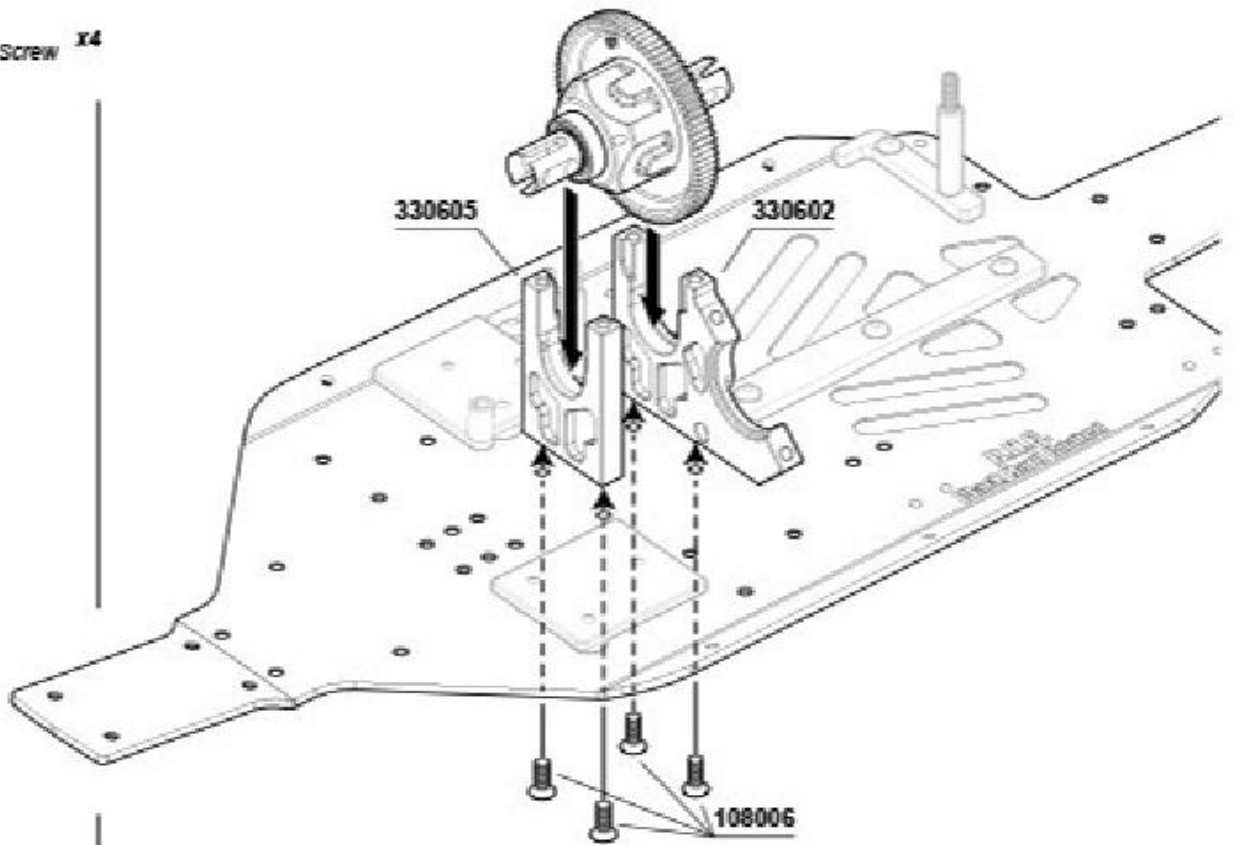
104009
M3x16mm Set Screw x2



For the LI-PO Saddle Pack Battery Holder
Assembly Note, Please check Page 37.



108006
M3x8mm FH/ST HEX Screw x4



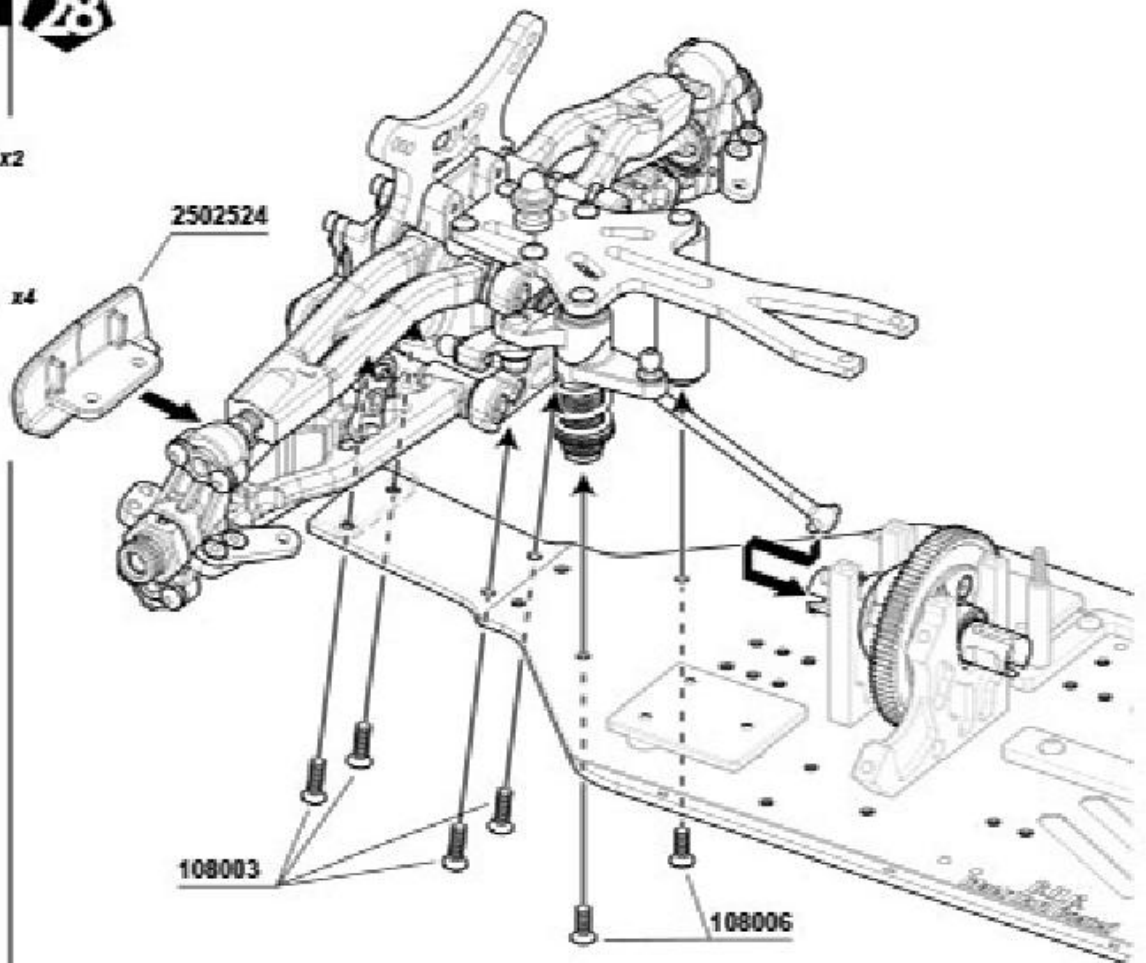
BAG M1 28



108006
M3x8mm FH/ST HEX Screw x2



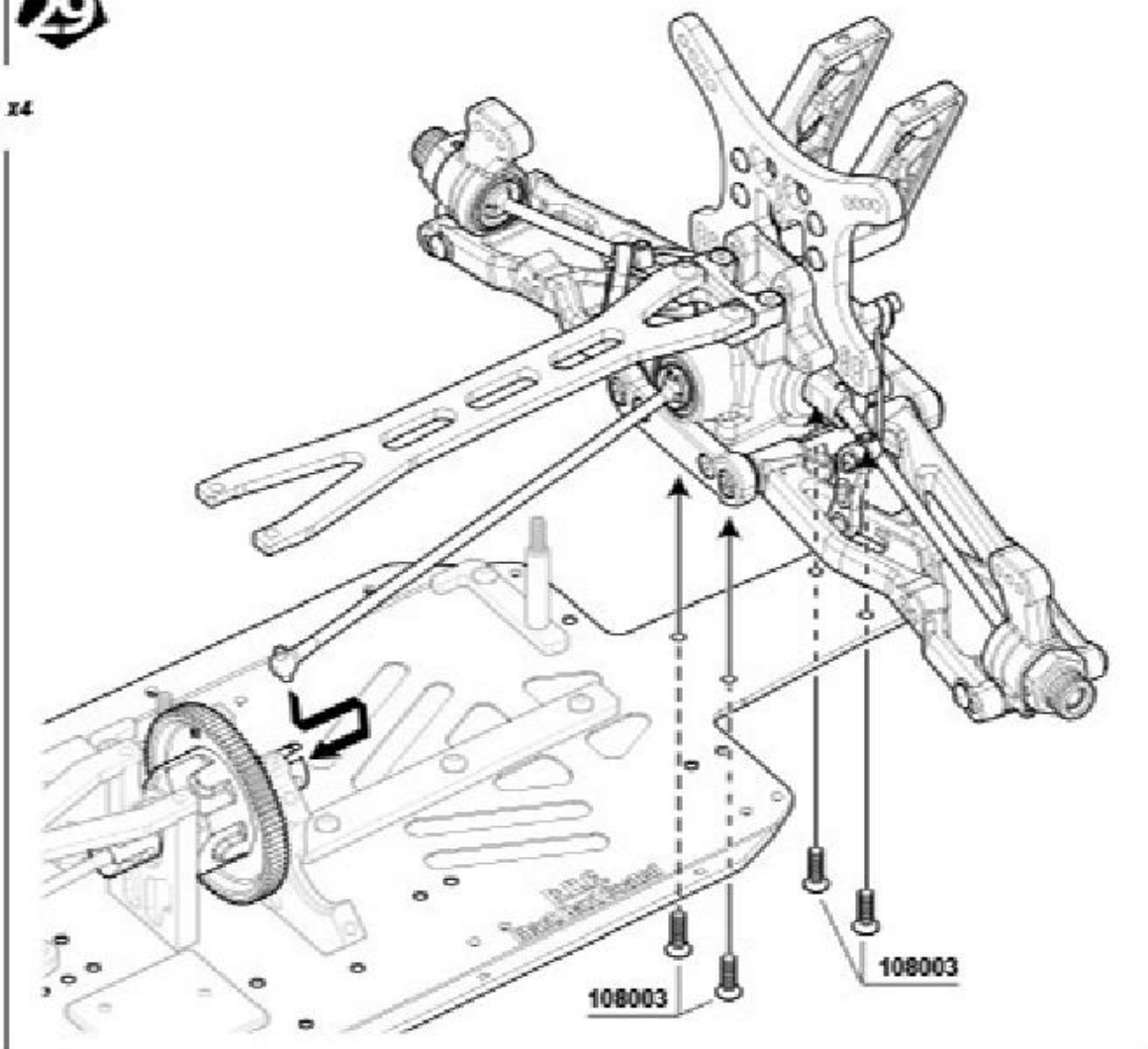
108003
M3x10mm FH/ST HEX Screw x4





108003
M3x10mm FH/ST HEX Screw

x4

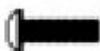


BAG M1 30



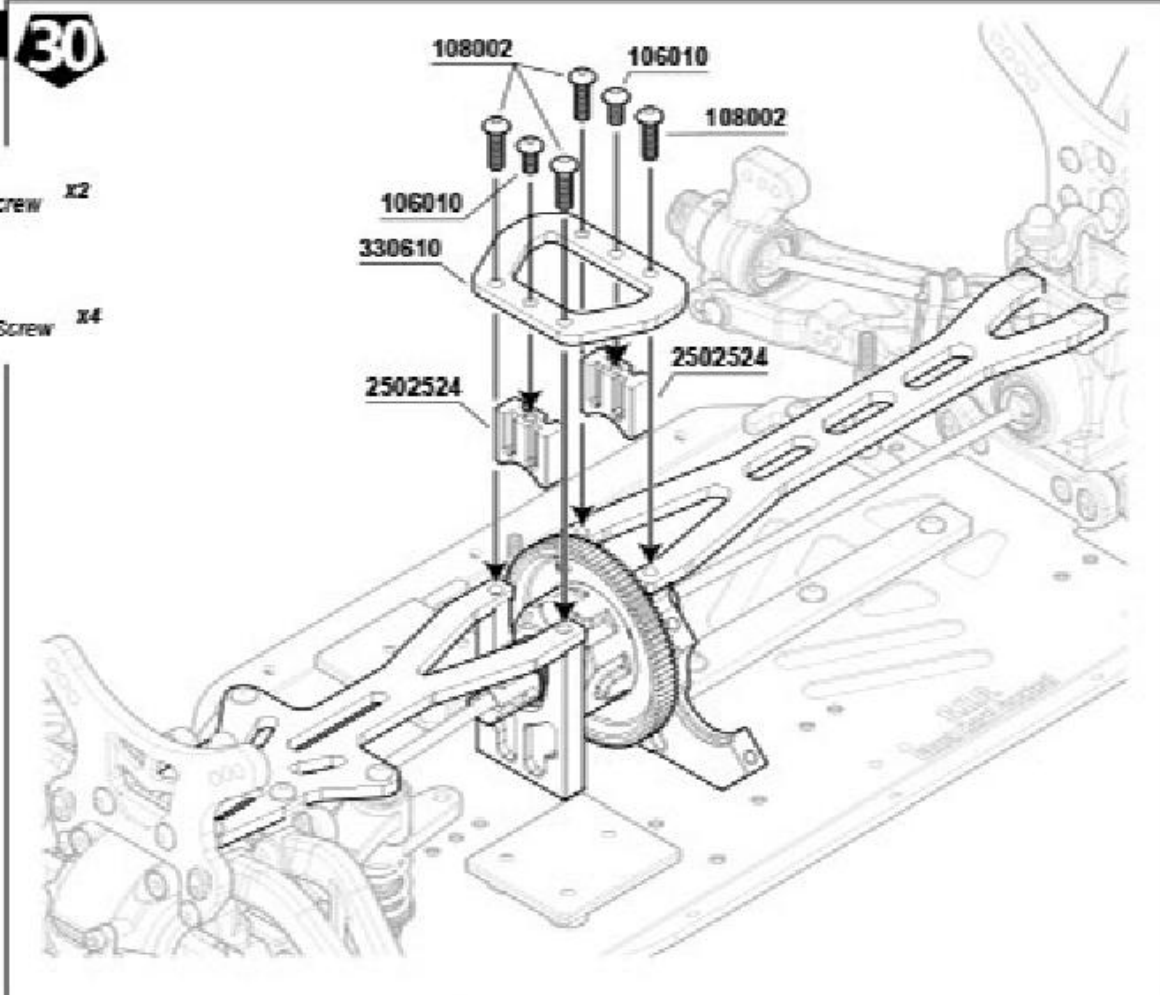
106010
M3x6mm Hex Socket OH/TP Screw

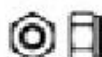
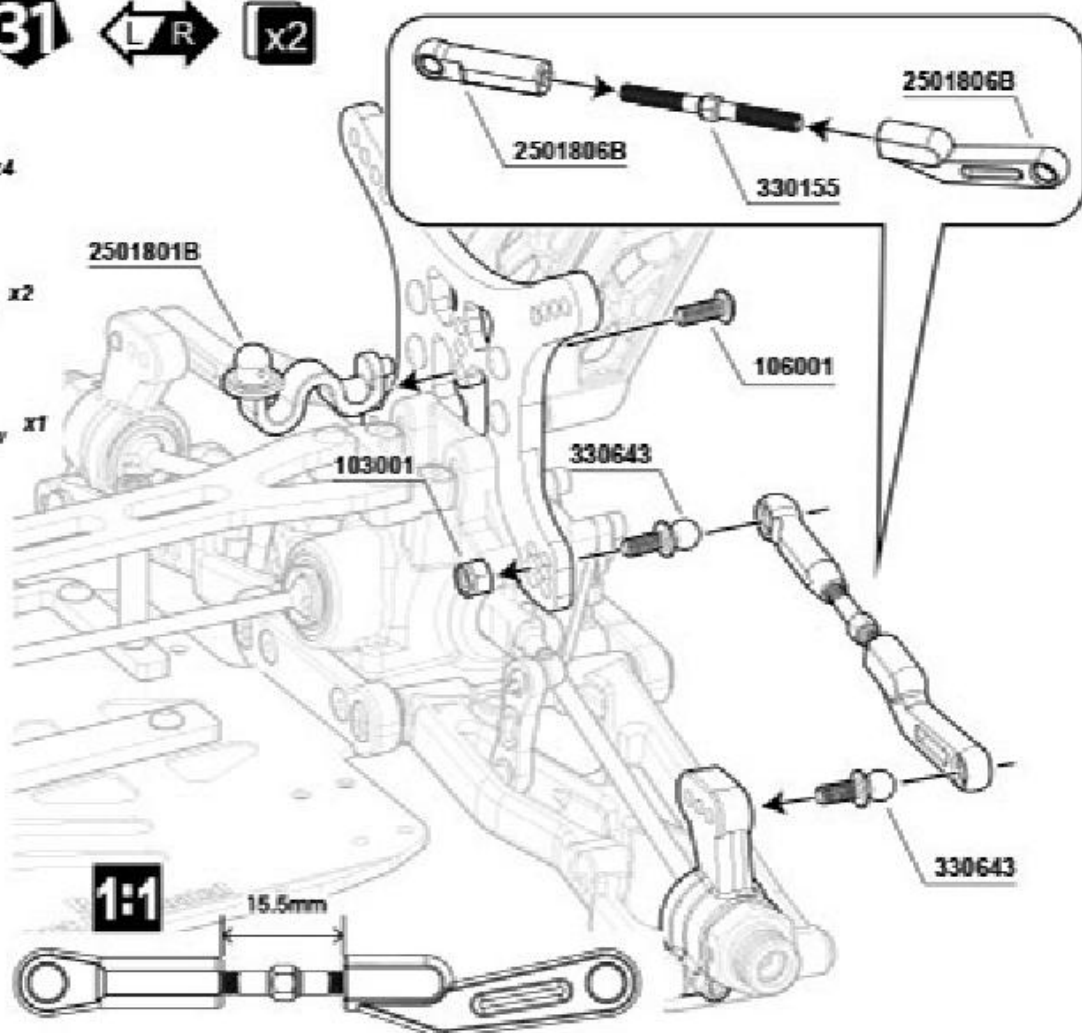
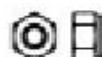
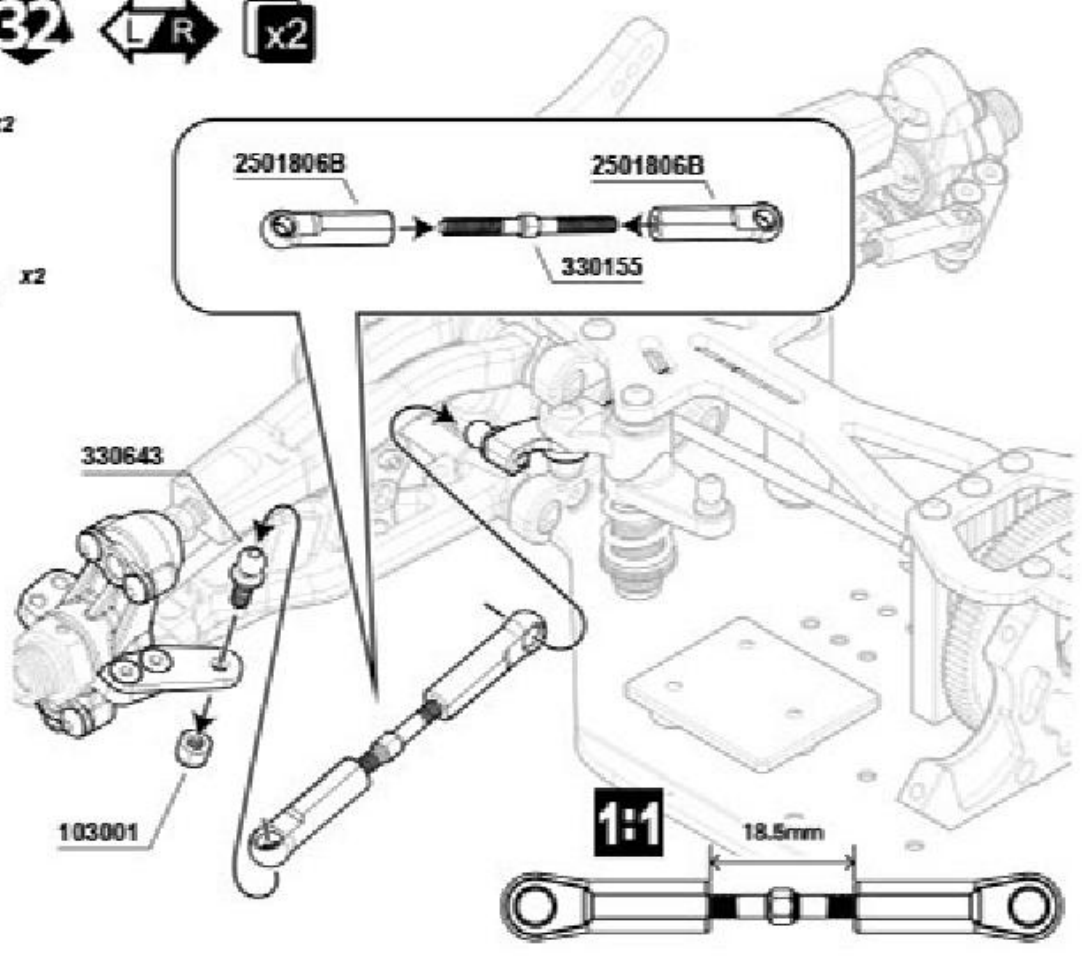
x2



106002
M3x10mm Hex Socket OH/TP Screw

x4



**330643**
Steering Linkage Ball Stud 5mm **x4****330155**
Rear Upper Sus. Arm Tumbuckles **x2****106001**
M3x8mm Hex Socket OH/TP Screw **x1****103001**
M3 Nut Lock **x2****330643**
Steering Linkage Ball Stud 5mm **x2****330155**
Rear Upper Sus. Arm Tumbuckles **x2****103001**
M3 Nut Lock **x2**



108006
M3x8mm FH/ST HEX Screw x2



106010
M3x8mm Hex Socket OH/TP Screw x2



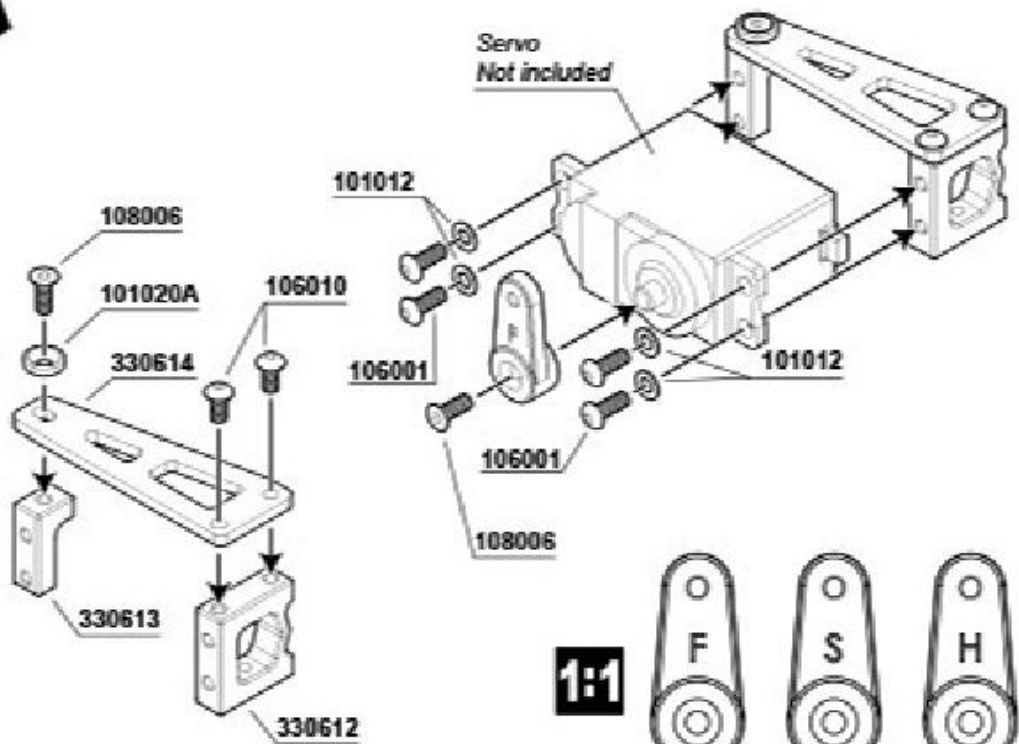
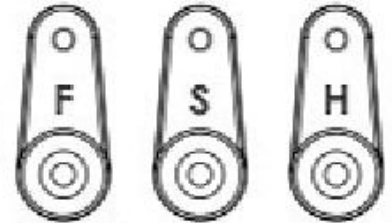
106001
M3x8mm Hex Socket OH/TP Screw x4



101020A
3mm Countersunk Washers (RD) x1



101012
Washer M3x8xT0.5mm x4

**1:1**

2501801B



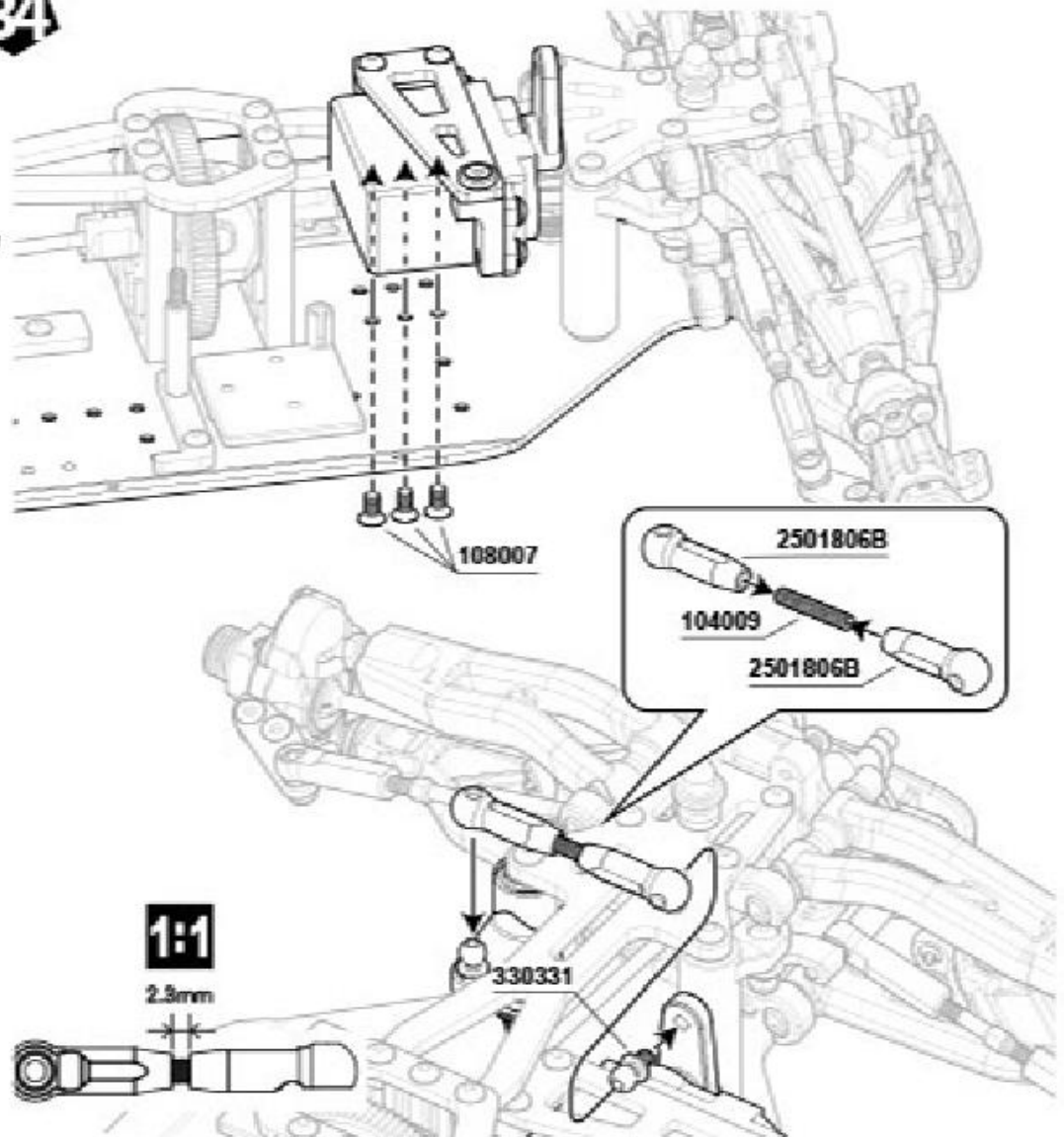
108007
M3x8mm FH/ST HEX Screw x3



330331
Steering Linkage Ball Stud 5mm x1



104009
M3x16mm Set Screw x1

**1:1**

2.5mm



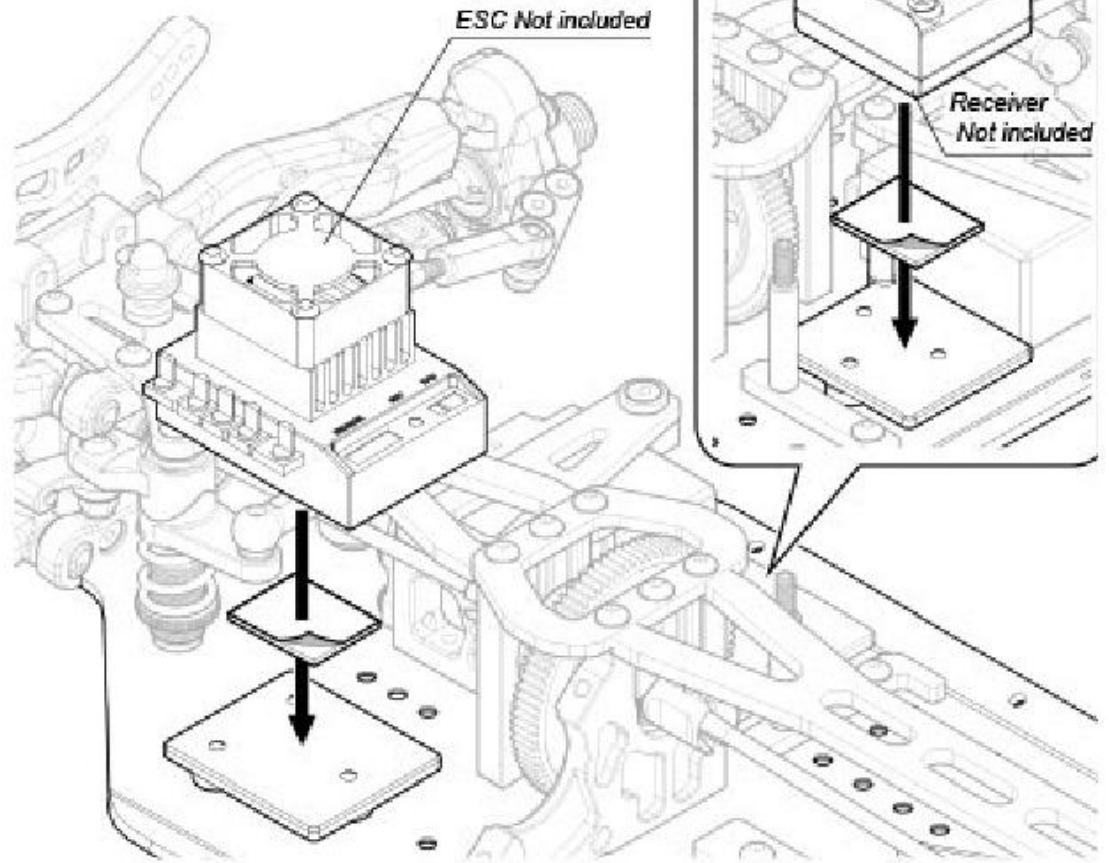
330331

2501806B

104009

2501806B

35



36

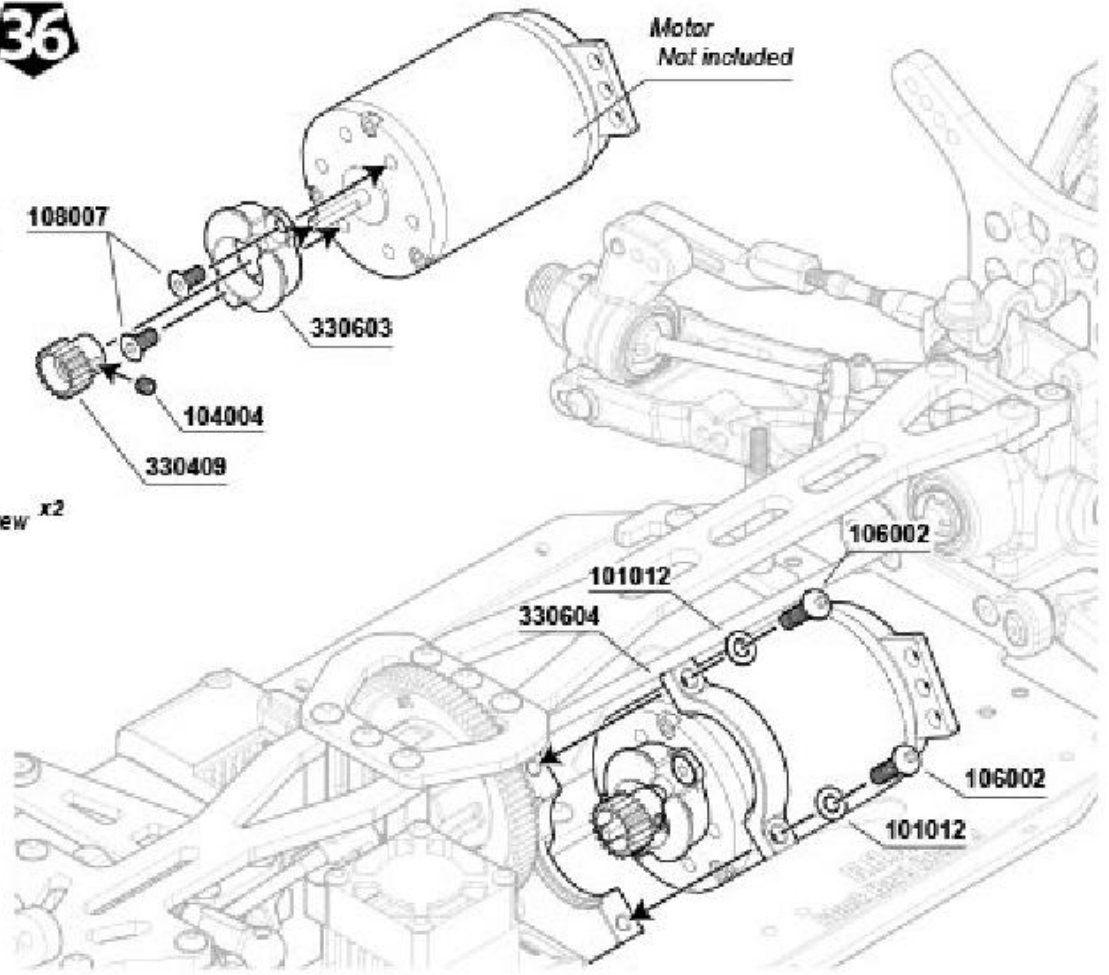
 **104004**
M3x3mm Set Screw x1

 **108007**
M3x6mm FH/ST HEX Screw x2

 **101012**
Washer M3xØxT0.5mm x2

 **106002**
M3x10mm Hex Socket OH/TP Screw x2

 **330409**
S104 Motor Gear 10T x1



101011
Shock Washer 2.6x0x0.5mm x4

330545
Shock Washer 3.3x0.5x2.5mm x8

400018A
Shock Seal O-ring 2x2.7mm x8

330531
Shock Shaft L x2

330532
Shock Shaft S x2

400014
O-Ring 1.5x13.5mm x4

410049
Shock Seal Cap O-ring 8x10x1mm x4

410047
S102 Shock Cap O-Ring (SP) x4

330544
Aluminum Shock Seal Cover x4

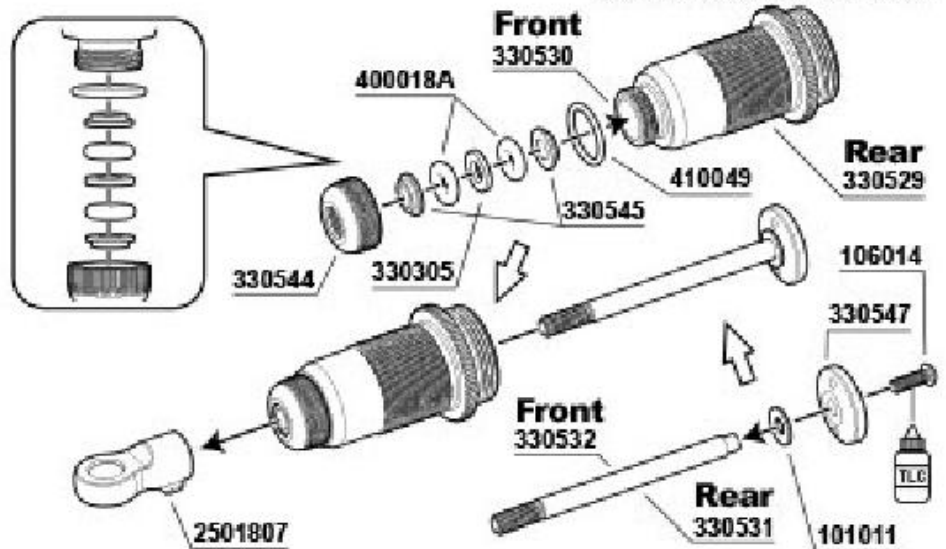
330305
Shock Washer 3.3x0.7x1mm x4

330547
Shock Piston 1.5mmx2 holes x4

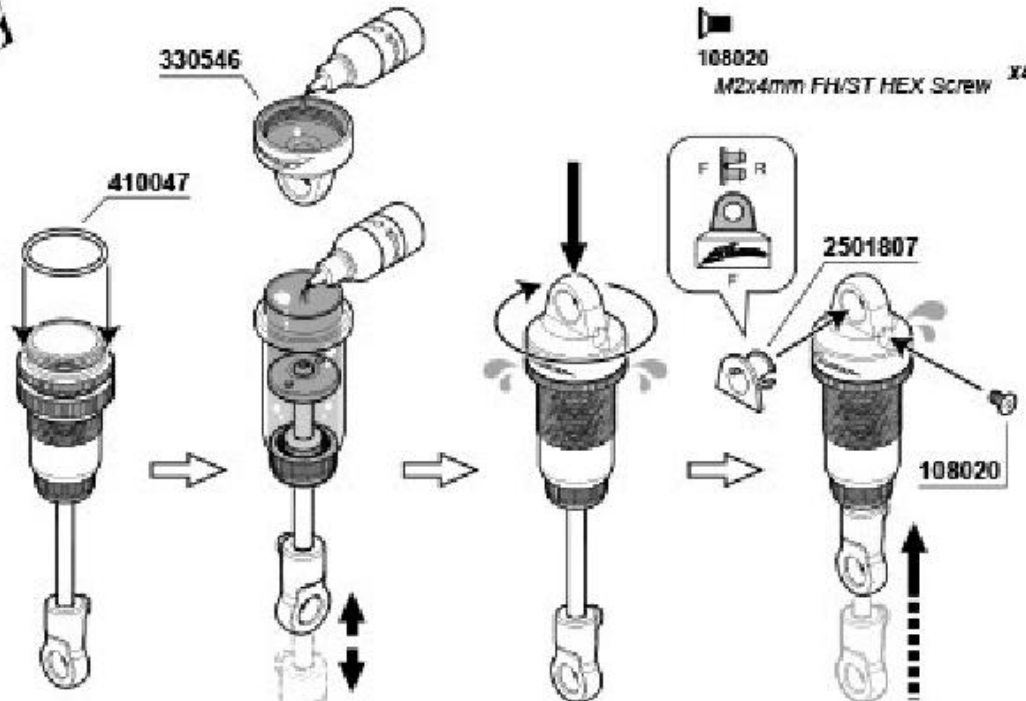
330134
Shock Ball Stud x4

330304A
Aluminum Shock Spring Adjust Nut x4

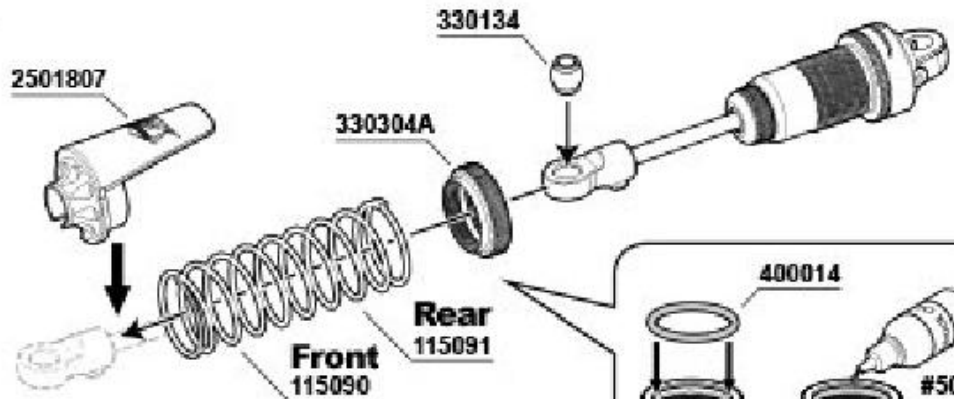
106014
M2x0mm Hex Socket OH/TP Screw x4



108020
M2x4mm FH/ST HEX Screw x4



Slowly push the shock shaft to the end of shock cap. Then tight screw M2x4mm



108001
M3x12mm FH/ST HEX Screw

x4

330312A
Aluminum Shock Cap Stud

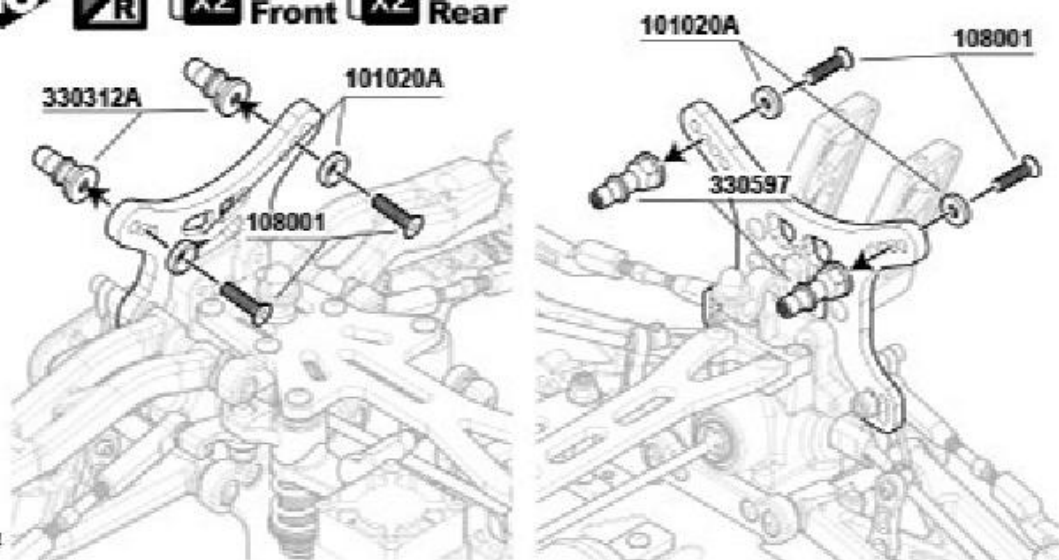
x2

330597
Aluminum Shock Cap Stud

x2

101020A
3mm Countersunk Washers (RD)

x4



108006
M3x8mm FH/ST HEX Screw

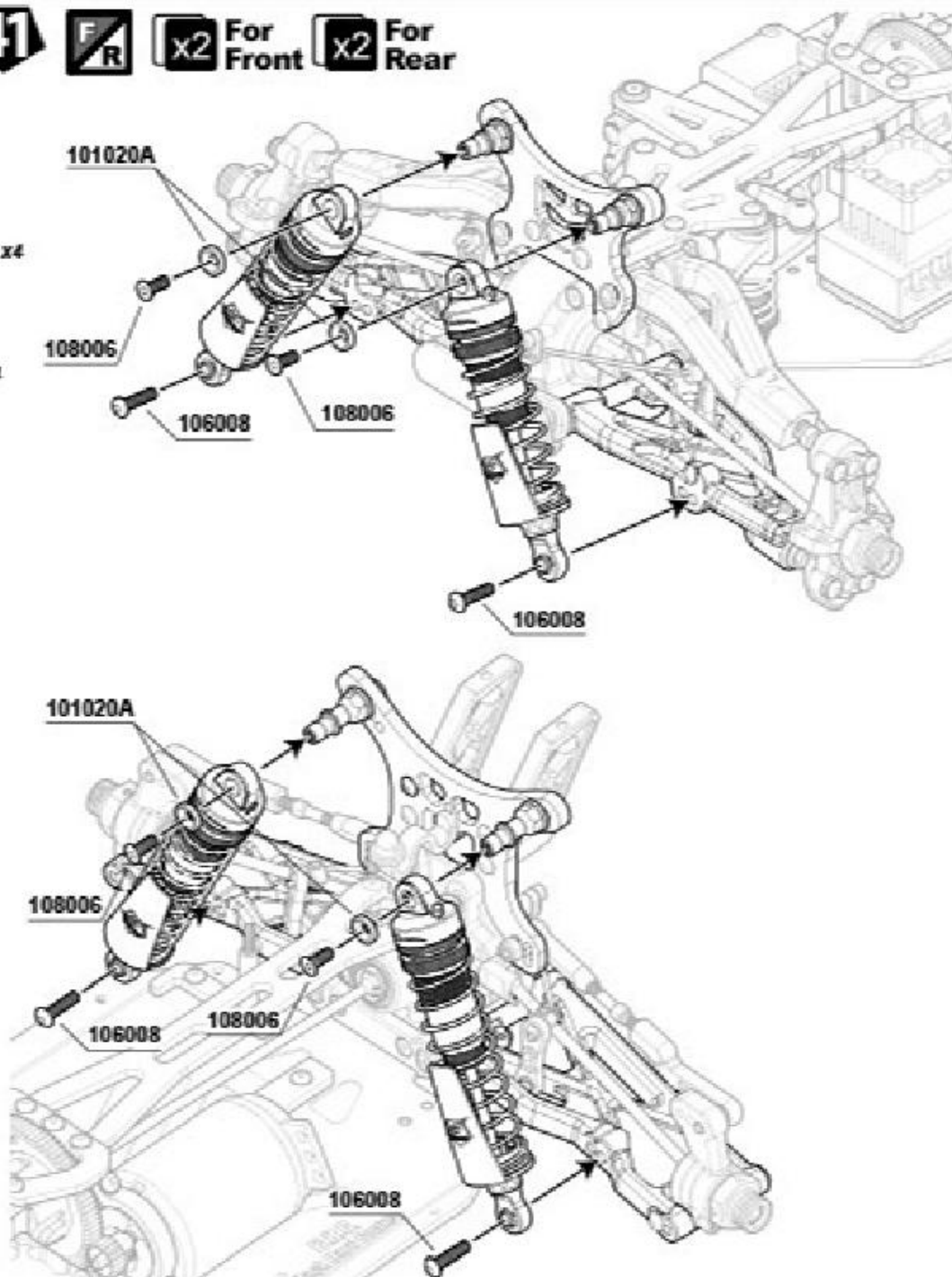
x4

106008
M3x12mm Hex Socket OH/TP Screw

x4

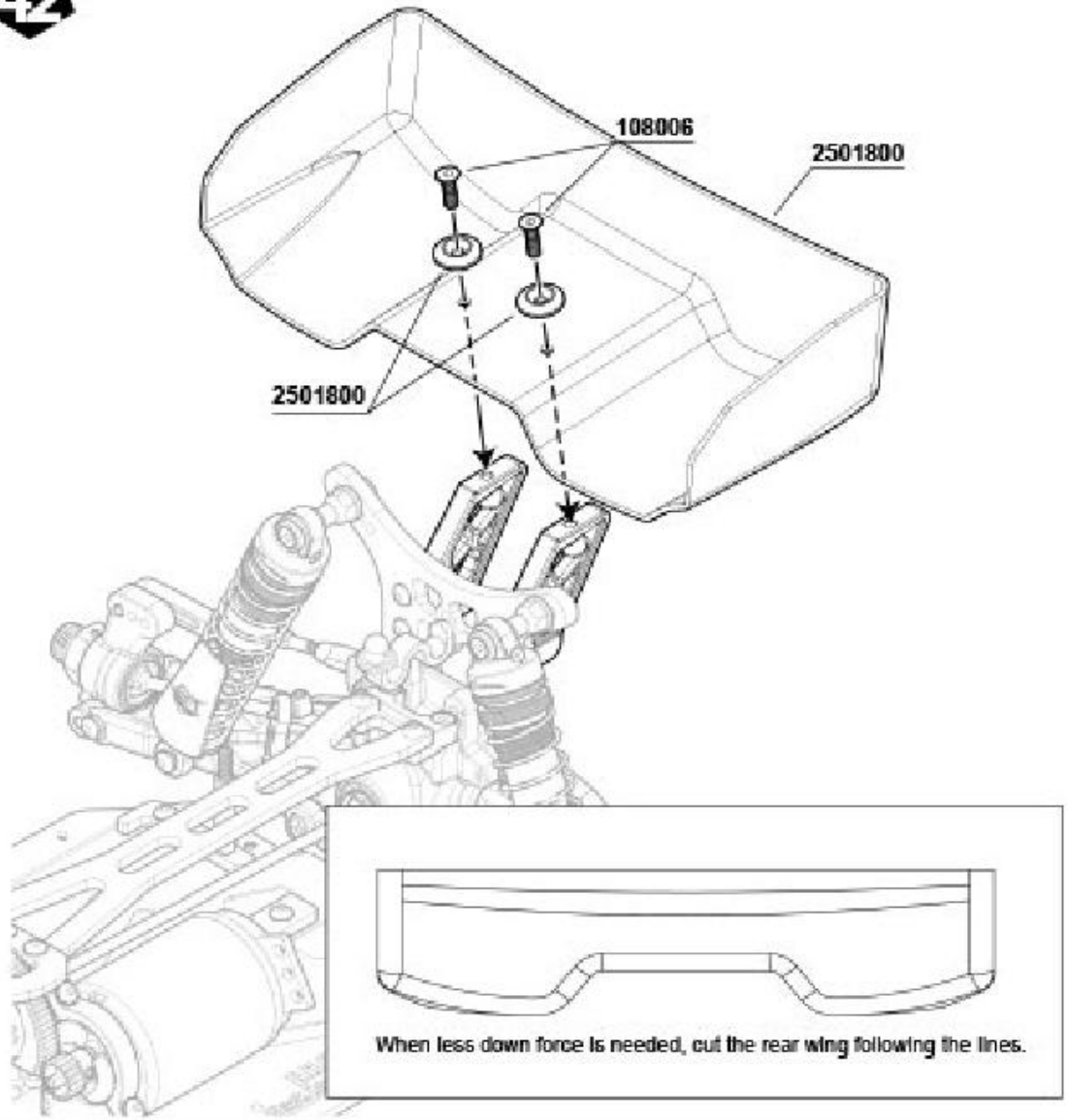
101020A
3mm Countersunk Washers (RD)

x4





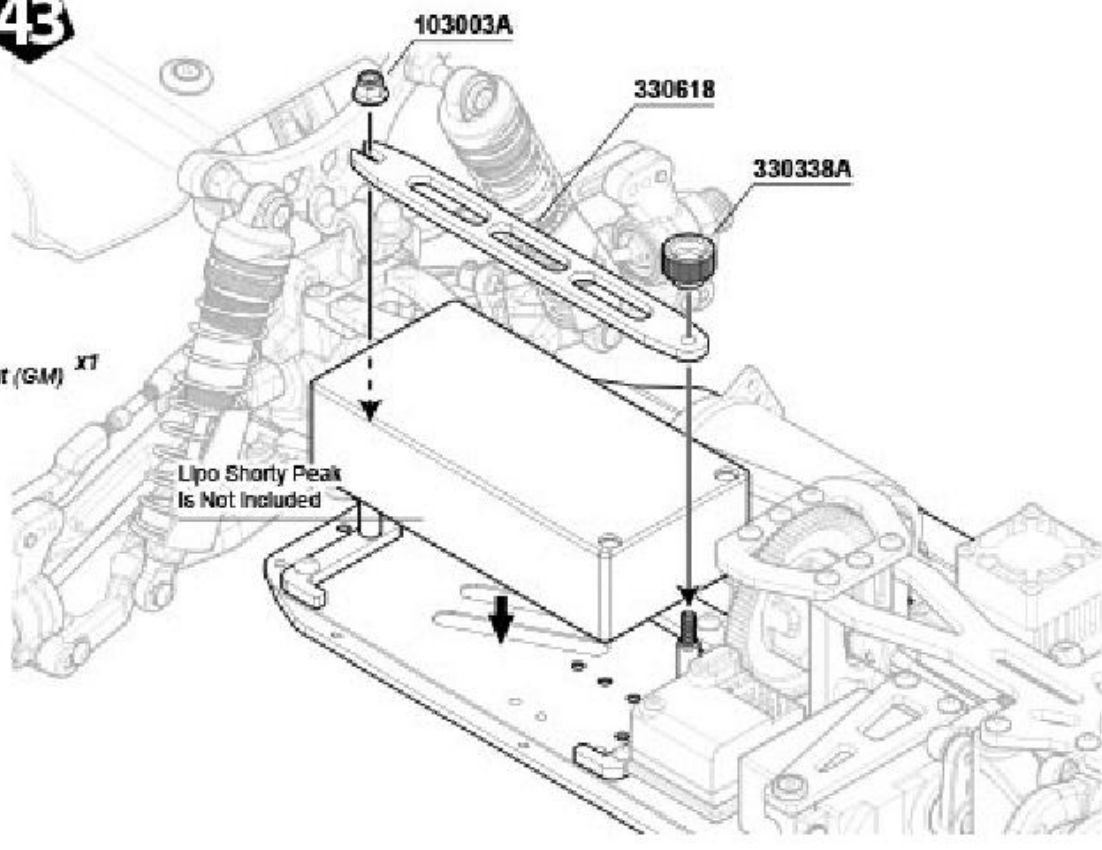
108006
M3x8mm FH/ST HEX Screw x2

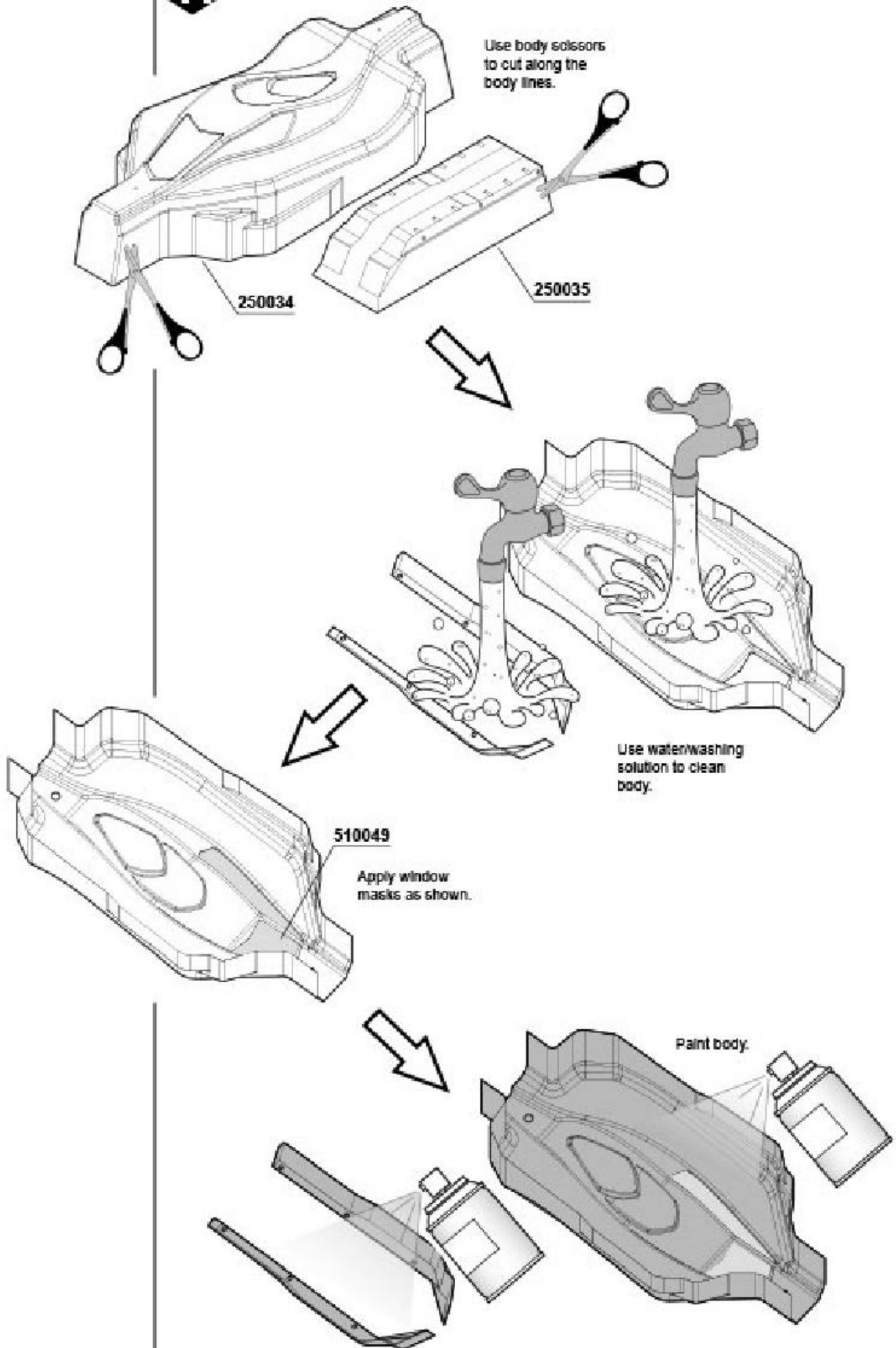


103003A
Flange M3 Nut Lock x1



330338A
S104 Aluminum Battery Holder Nut (GM) x1



44**Body shell painting preparation**



330298A
S104 Wheel Nut 14mm x4

45

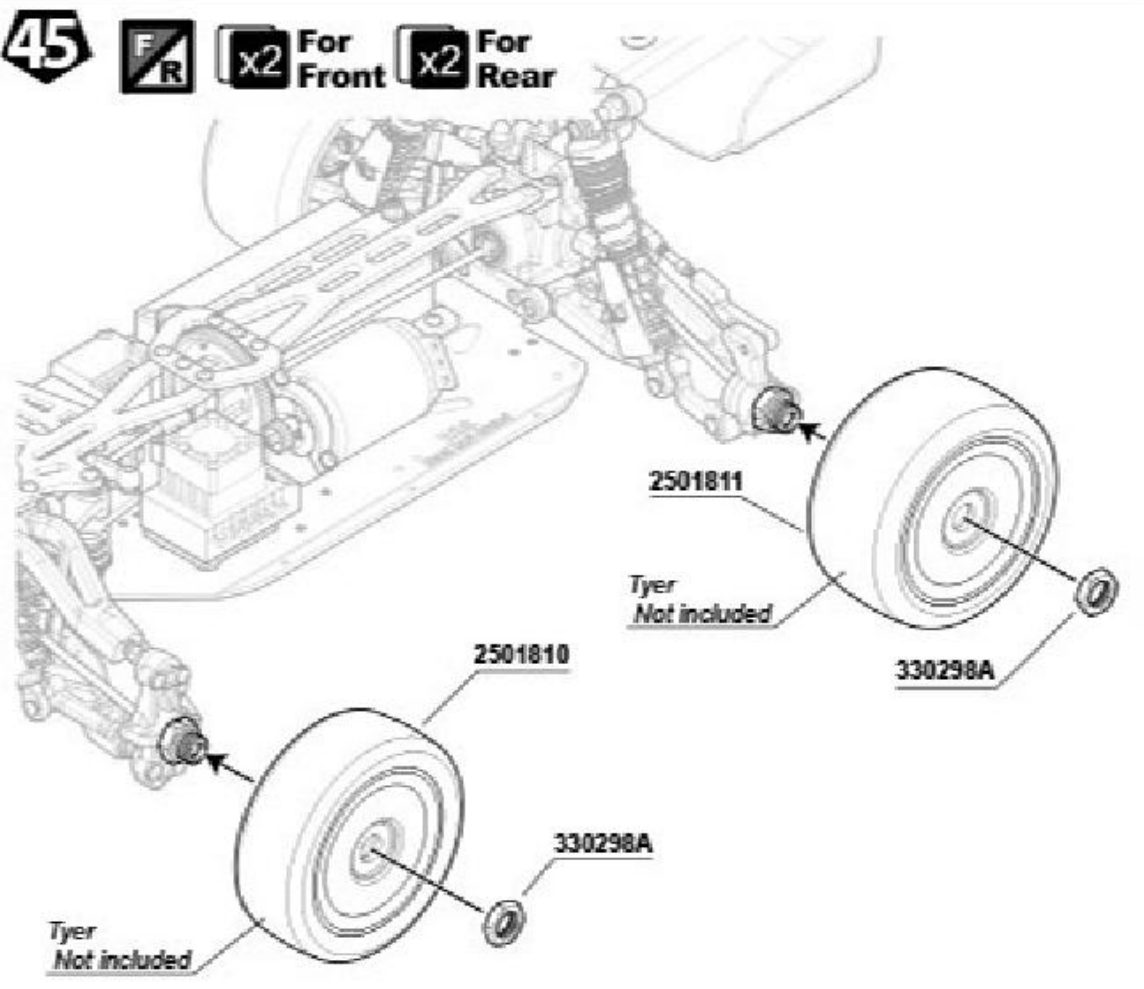


x2

For Front

x2

For Rear



115062
1/10 Body Clip x2

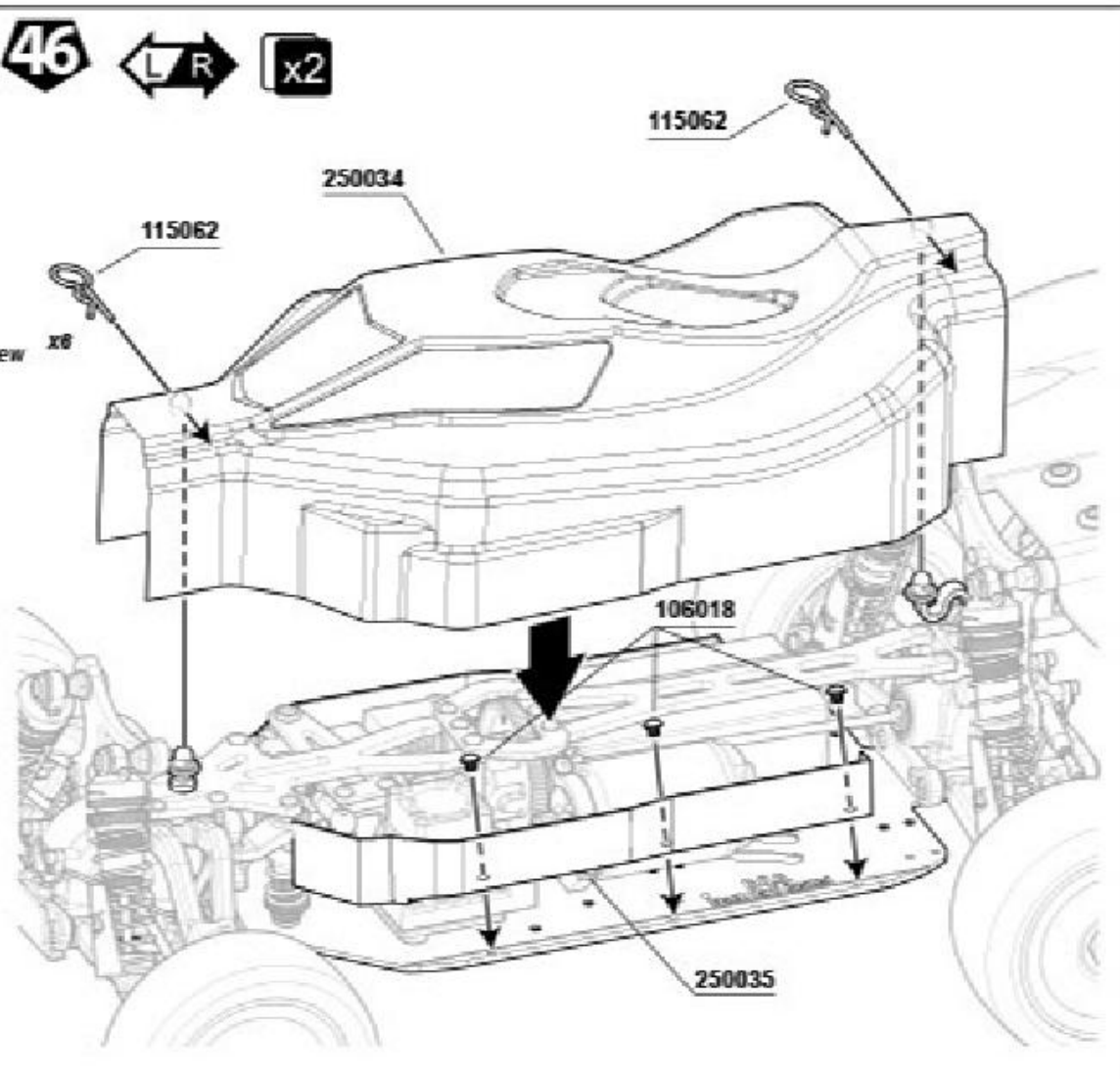


106018
M3x3mm Hex Socket OH/TP Screw x8

46





x2



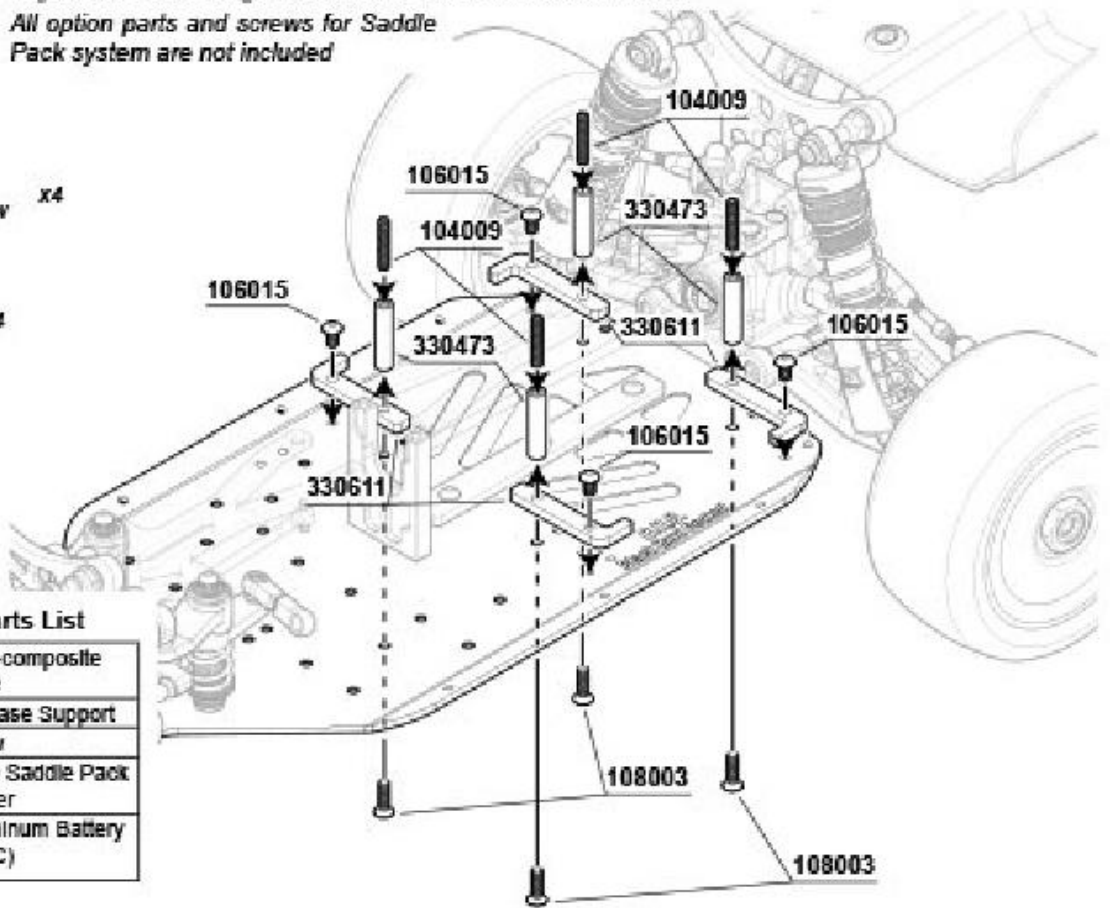
Option Battery Saddle Pack Installation

All option parts and screws for Saddle Pack system are not included

 **104009**
M3x10mm Set Screw x4

 **106015**
M3x5mm Hex Socket OH/TP Screw x4

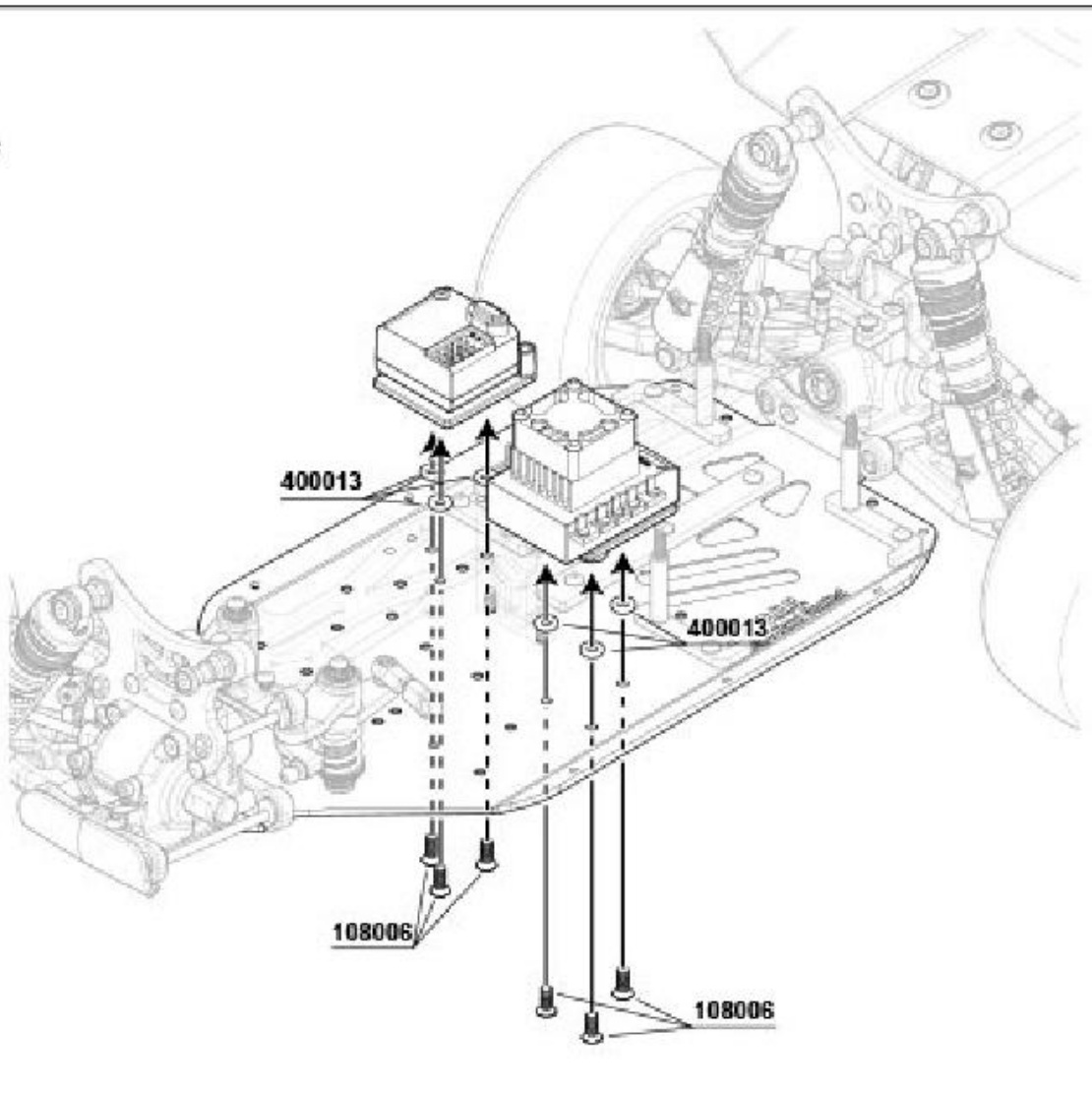
 **108003**
M3x10mm FH/ST HEX Screw x4



Battery Saddle Pack Option Parts List

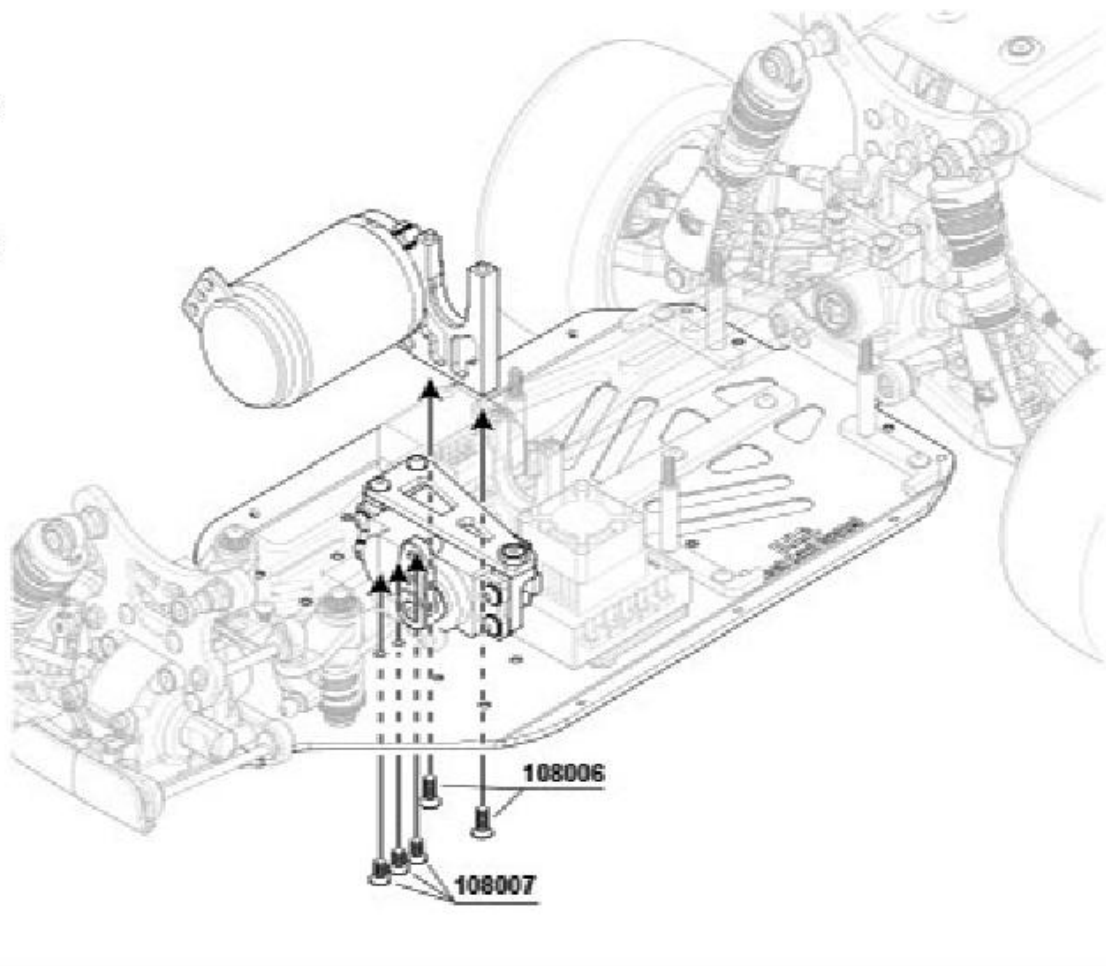
SW-330611	2015 S104 EVO Pre-composite Carbon Battery Case
SW-330473	S104 EVO Battery Case Support
SW-104009	M3x16mm Set Screw
SW-330470	SWORKz S104 EVO Saddle Pack Carbon Battery Holder
SW-330338A	SWORKz S104 Aluminum Battery Holder Nut (GM)(4PC)

 **108006**
M3x8mm FH/ST HEX Screw x8



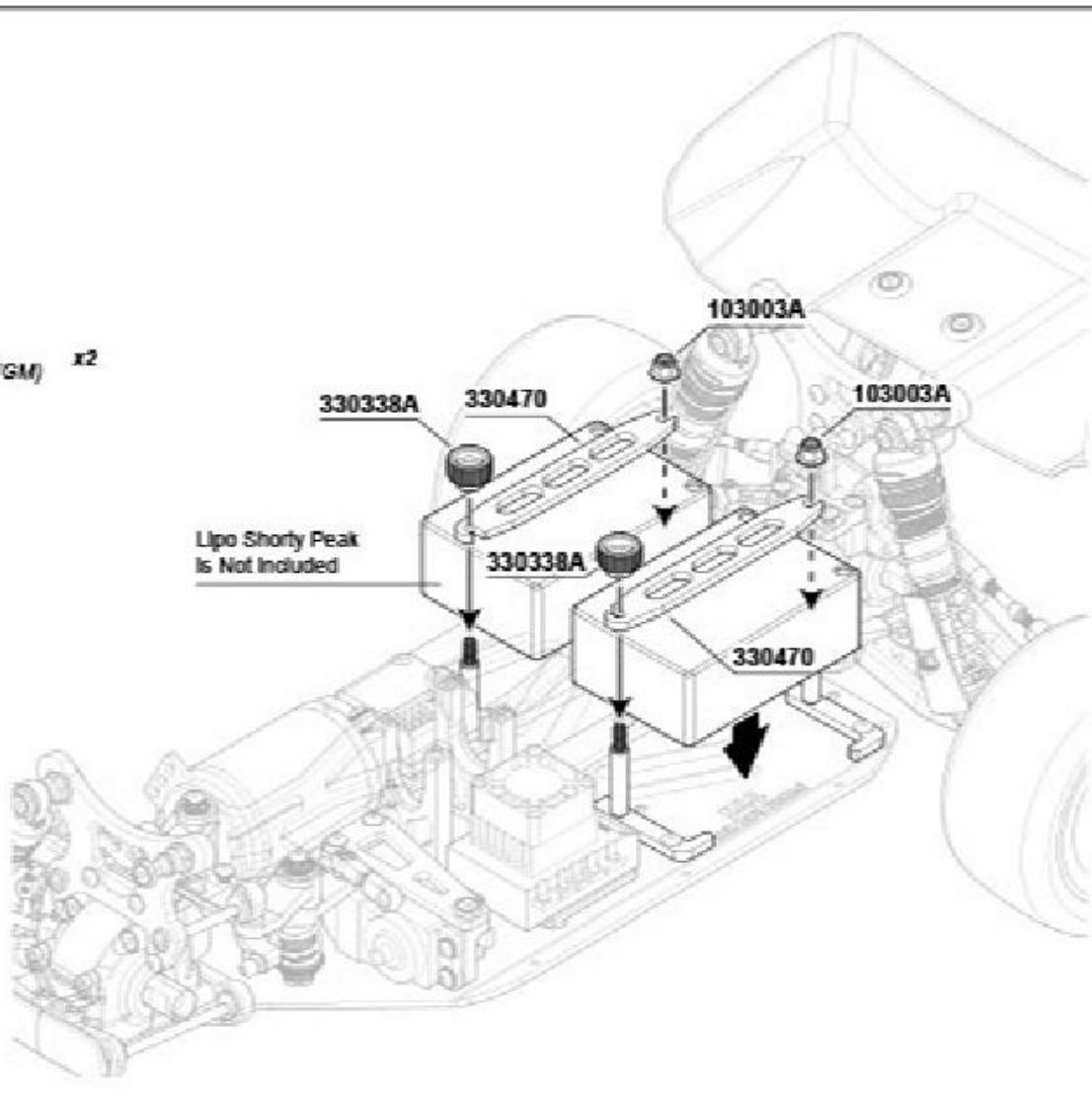
 **108007**
M3x0mm FH/ST HEX Screw **x3**

 **108006**
M3x8mm FH/ST HEX Screw **x2**



 **103003A**
Flange M3 Nut Lock **x2**

 **330338A**
S104 Aluminum Battery Holder Nut (GM) **x2**

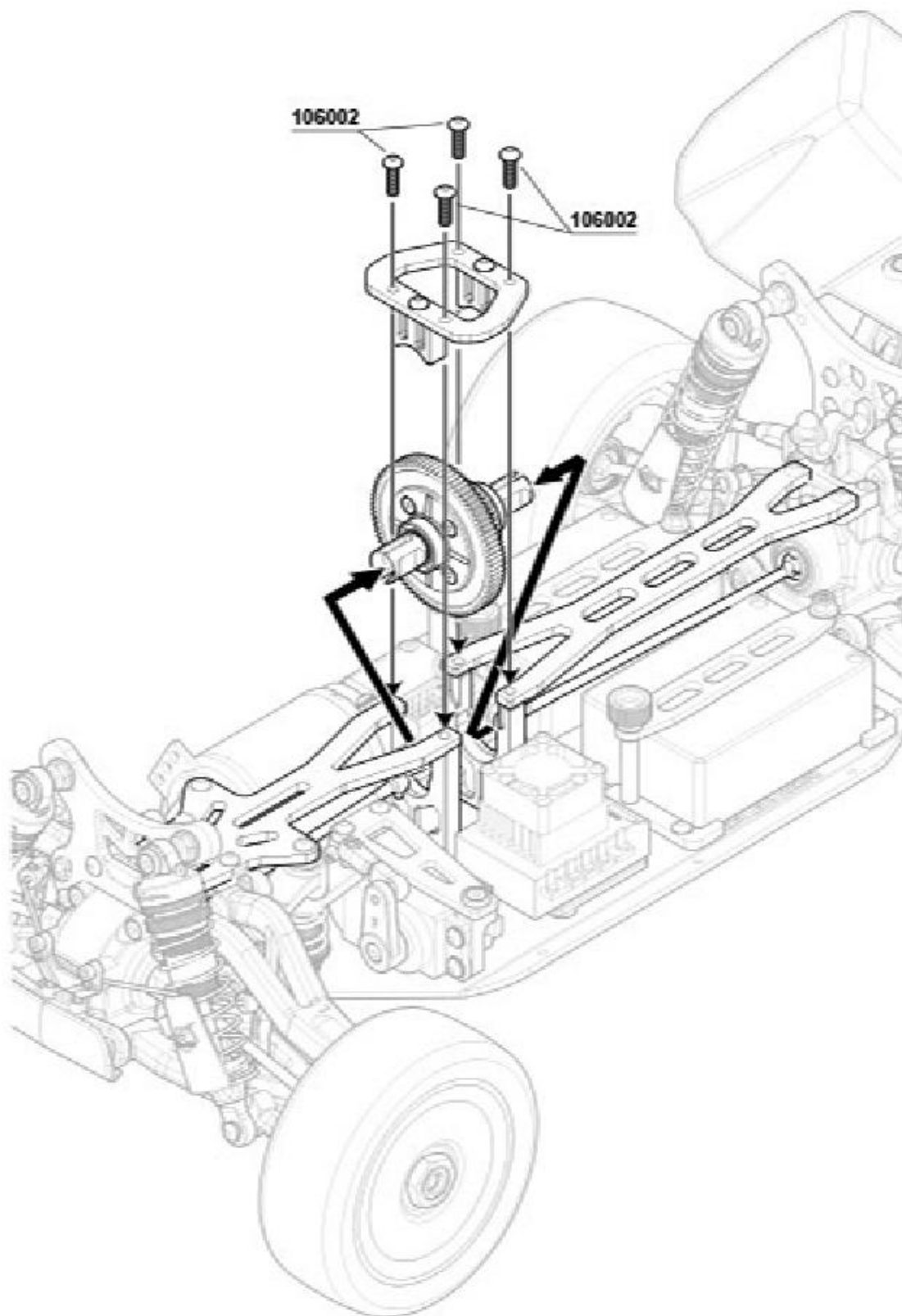




106002

M3x10mm Hex Socket CH/TP Screw

x4





SET-UP SHEET

Race time / Lap: _____

Best lap: _____

S104EVO

Name: _____
Date: _____
Track: _____**Diff. Oil**
Front: _____
Center: _____
Rear: _____**Track Conditions**Size: Open Med. Tight
Traction: High Med. Low
Surface: Smooth Med. Bumpy**Electric System**

ESC Type: _____

Motor Type: _____

Motor Gear/Spur Gear: _____

Battery Type **A:** Saddle Pack _____
B: Shorty Pack _____**Tire**Front Type: _____ Rear Type: _____
Foam: _____ Foam: _____**Front Suspension****Front In-Board Toe****Front Shocks**

Oil: _____

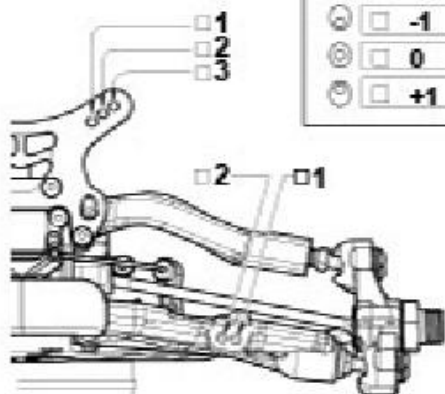
Pistons: _____

Spring: _____

Spacer: _____ mm

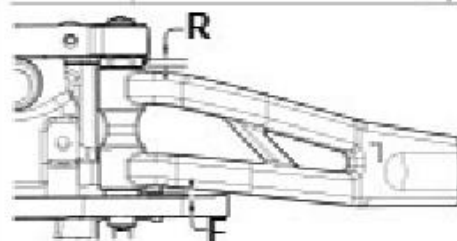
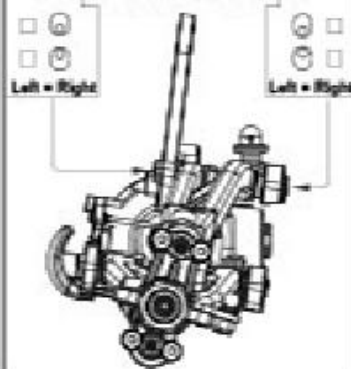
Body: _____

Wing: _____



Wheel

Rebound stop

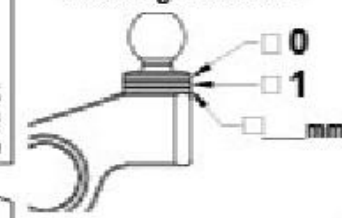
**Front Roll Center**

Track width _____ mm

Camber angle Upper _____ mm
Lower _____ mm

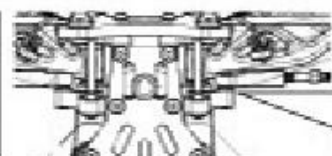
Toe angle _____ mm

Rebound stop _____ mm

Sway bar Use _____ mm
 None**Steering Ackerman**

R: _____ mm

F: _____ mm

**Rear Suspension****Rear Toe-In****Rear Shocks**

Oil: _____

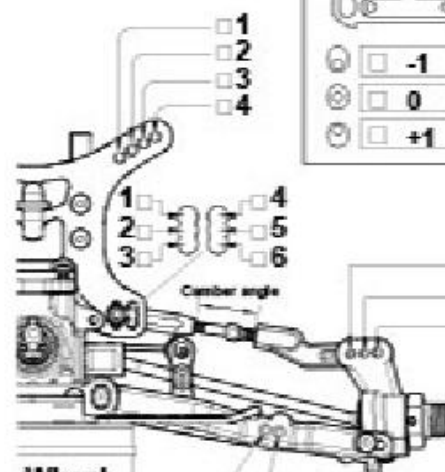
Pistons: _____

Spring: _____

Spacer: _____ mm

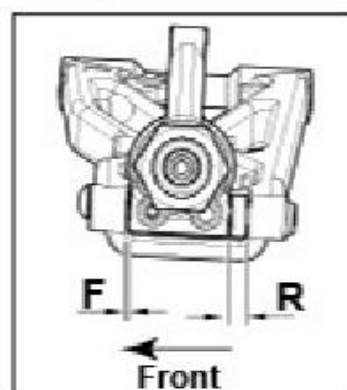
Camber angle _____ mm

Rebound stop _____ mm



Wheel

Rebound stop

Wheelbase F _____ mm
adjustment R _____ mmSway bar Use _____ mm
 None

Notes: _____



SET-UP SHEET

Race time / Lap: _____
 Best lap: _____

S104EVO

Track Conditions

Size: Open Med. Tight
 Traction: High Med. Low
 Surface: Smooth Med. Bumpy

Electric System

ESC Type: Hobby Wing V3.1
 Motor Type: Hobby Wing V10 5.5T
 Motor Gear/Spur Gear: 19/87T
 Battery Type A: Saddle Pack _____
 B: Shorty Pack Pro Tek RC

Name: Atsushi Hara Diff. Oil
 Date: 2015/1/25 Front: #10000
 Track: OCRC Raceway Center: #500000
 Rear: #10000

Tire

Front Rear
 Type: Pro Line Type: Pro Line
 Foam: Pro Line Foam: Pro Line

Front Suspension

Wheel Rebound stop

Front In-Board Toe

<input type="checkbox"/> -1	<input type="checkbox"/> -1
<input checked="" type="checkbox"/> 0	<input checked="" type="checkbox"/> 0
<input type="checkbox"/> +1	<input type="checkbox"/> +1

Front Shocks

Oil: #400
 Pistons: 1.5x2Holes
 Spring: Green
 Spacer: 15 mm

Body: SWORKZ
 Wing: SWORKZ

Front Roll Center

Left = Right

R: 2 mm
 F: 0 mm

Track width _____ mm
 Camber angle Upper 1 mm
 Lower 2 mm
 Toe angle _____ mm
 Rebound stop _____ mm
 Sway bar Use _____ mm
 None

Steering Ackerman

0
 1
 _____ mm

Rear Suspension

Wheel Rebound stop

Rear Toe-In

<input type="checkbox"/> -1	<input checked="" type="checkbox"/> -1
<input checked="" type="checkbox"/> 0	<input type="checkbox"/> 0
<input type="checkbox"/> +1	<input type="checkbox"/> +1

Rear Shocks

Oil: #350
 Pistons: 1.5x2Holes
 Spring: Green
 Spacer: 10 mm

Camber angle 15.5 mm
 Rebound stop _____ mm

Wheelbase F _____ mm
 adjustment R 3 mm
 Sway bar Use 1.3 mm
 None

Notes:

Parts No. List

Part No.	Part Name	Qty In Use	Item No.
103001	M3 Nut Lock	8	SW-103001
104004	M3x3mm Set Screw	5	SW-104004
104005	Set Screw M3x4	6	SW-104005
104008	M4x4mm Set Screw	4	SW-104008
104009	M3x16mm Set Screw	3	SW-104009
105004	M2.6x6mm Cap Screw	4	SW-105004
106001	M3x8mm Hex Soket OH/TP Screw	11	SW-106001
106002	M3x10mm Hex Soket OH/TP Screw	16	SW-106002
106005	M3x15mm Hex Soket OH/TP Screw	2	SW-106005
106008	M3x12mm Hex Soket OH/TP Screw	6	SW-106008
106010	M3x6mm Hex Soket OH/TP Screw	15	SW-106010
106014	M2x6mm Hex Soket OH/TP Screw	4	SW-106014
106015	M3x5mm Hex Soket OH/TP Screw	7	SW-106015
106018	M3x3mm Hex Soket OH/TP Screw	6	SW-106018
108001	M3x12mm FH/ST HEX Screw	10	SW-108001
108003	M3x10mm FH/ST HEX Screw	16	SW-108003
108006	M3x8mm FH/ST HEX Screw	20	SW-108006
108007	M3x6mm FH/ST HEX Screw	9	SW-108007
108017	M2.6x10mm FH/ST HEX Screw	12	SW-108017
108018	M3x30mm FH/ST HEX Screw	4	SW-108018
108020	M2.0x4mm FH/ST HEX Screw	4	SW-108020
115055	S104 Sway Bar 1.3mm	1	SW-115055
115056	S104 Sway Bar 1.5mm	1	SW-115056
115062	1/10 Body Clip	2	SW-115062
115090	S104EVO/S102 Front Shock Spring(1.3P5.5)	2	SW-115090
115091	S104EVO/S102 Rear Shock Spring(1.2Px6.0)	2	SW-115091
115131	S104 EVO Servo Saver Spring(H)	1	SW-115131
116013	Ball Bearing 10x15x4mm	14	SW-116013
116017	Ball Bearing 6x12x4mm	4	SW-116017
117003	Flange Ball Bearing 3x6x2.5mm	4	SW-117003
117004	Bushing 5x8x2.5mm	4	SW-117004
101020A	3mm Countersunk Washers (RD)	9	SW-101020A
103003A	Flange M3 Nut Lock (GM)	1	SW-103003A
200193	Antenna Tube	1	SW-200193
2501794B	S104 Front Lower Arm L	1	SW-2501794B
	S104 Front Lower Arm R	1	
	S104 Front Upper Arm L	1	
	S104 Front Upper Arm R	1	
	S104 Sway Bar Linkage	2	
2501795B	S104 Rear Lower Arm L	1	SW-2501795B
	S104 Rear Lower Arm R	1	
	S104 Sway Bar Linkage	2	
2501796A	S104 Gear Box Rear	2	SW-2501796A
	S104 Gear Box Front	2	
	S104 S-way Bar Holder	2	
2501797B	S104 Plastic Knuckle Pivot Ball Washer 2mm	2	SW-2501797B
	S104 Rear Hub Carrier	2	
	S104 Pivot Ball Cup	4	
	S104 Front Steering Knuckle (L&R)	2	
2501798A	S104 Plastic Steering Knuckle Plate (L&R)	2	SW-2501798A
	S104 Rear Lower Arm Plate (0-3.0D)	1	
	S104 Front Lower Arm Holder	1	
	S104 Front Bumper	1	
	S104 Rear Wing Stay	2	
2501800	S104 Front Upper Arm Holder	1	SW-2501800
	S104 Rear Wing Washer	2	
	S104 Rear Wing	1	

Parts No. List

Part No.	Part Name	Qty In Use	Item No.
2501801B	S104 Setting Bellcrank A Upper	1	SW-2501801B
	S104 Setting Bellcrank B Lower	1	
	S104 Setting Bellcrank Left	1	
	S104 Steering Servo Mount	1	
	S104 Steering Servo Horn (For Futaba)	1	
	S104 Steering Servo Horn (For Sanwa & KO)	1	
	S104 Steering Servo Horn (For Hitec)	1	
	S104 Front Body Mount	1	
	S104 Rear Body Mount	1	
	S104 Ball End 5mm (Curve)	2	
2501806B	S104 Ball End 5mm	6	SW-2501806B
	S104 Ball End S	2	
	S104 5mm Steering Ball Cap (S)	2	
	S104 5mm Steering Ball Cap (M)	2	
	S104 Plastic Shock Washer 3.3x5.5x1mm	4	
2501807	S104 Plastic Shock Washer 3.3x5.5x2.5mm	4	SW-2501807
	S104 Plastic Shock Piston 1.3mmx5 holes	4	
	S104 Plastic Shock Piston 1.2mmx5 holes	4	
	S104 Shock Cap Insert	4	
	S104 Shock Spring Holder L	2	
	S104 Shock Spring Holder S	2	
	S104 Plastic Shock Cap Stud	4	
	S104 Shock Ball End	4	
	S104 R/F Insert (1 degree)	16	
	S104 R/F Insert (0 degree)	16	
2501808	S104 Rear Lower Arm Done Stop Holder L	2	SW-2501808
	S104 Rear Lower Arm Done Stop Holder R	2	
	S104 Front Upper Arm Insert (2mm)	4	
	S104 Servo Saver Plastic Insert 5x8x2.5mm	4	
	S104 Rear Hub Carrier Insert	8	
2501809	S104 Diff. Case	3	SW-210036
2501810	S104 Front Wheel (WH)	2	SW-2501810WH
2501811	S104 Rear Wheel (WH)	2	SW-2501811WH
2502212	14mm Plastic Wheel Hex Tool Hand Bar	1	SW-2502212
2502524	S104 EVO ESC Smart Protection Plastic Holder	1	SW-2502524
	S104 EVO Receiver Smart Protection Plastic Holder	1	
	S104 EVO Front Bumper	2	
	S104 EVO Plastic Center Diff/Slipper Clutch Holder	2	
	2502527	S104 EVO Center Gear Diff 8T Spur Gear (48DP)	
250034	S104 EVO Velocity Body Shell	1	SW-250034
250035	S104 EVO Velocity Body Shell Side Guard Set (LR)	1	SW-250035
330134	Shock Ball Stud	4	SW-330134
330155	Steering Servo Turnbuckle (M3x30mm)	4	SW-330155
330277	S104 Diff. Bevel Gear 18T	6	SW-330278
330278	S104 Diff. Bevel Gear 10T	12	SW-330278
330279	S104 Bevel Gear Shaft	6	SW-330279
330282	S104 Front/Rear Diff. Outdrive	6	SW-330282
330283	S104 Pin M2.0x10mm	12	SW-330283
330284	S104 Crown Gear 42T	2	SW-330284
330285	S104 Pin M2.0x14mm	4	SW-330285
330286	S104 Pinion Gear 17T	2	SW-330286
330292	S104 Front/Rear Lower Arm HingPin	4	SW-330292
330293	S104 Rear Hub Carrier Hing pin	2	SW-330293
330294	S104 CVD Axle	4	SW-330294
330295	S104 CVD Join	6	SW-330295
330296A	S104 PRO CVD Drive Shaft 78mm	4	SW-330296A
330298A	S104 Wheel Nut 14mm (HC)	4	SW-330298A
330304A	S104 Aluminum Shock Spring Adjust Nut (BK)	4	SW-330304A
330305	S104 Shock Washer 3.3x6.5x1mm	4	SW-210065
330312A	S104 Aluminum Shock Cap Stud	2	SW-330312A
330316A	S104 Aluminum Knuckle Pivot Ball Washer 2mm (GM)	2	SW-330316A
330314	S104 Steering Knuckle Pivot Ball Turnbuckle	4	SW-330314

Parts No. List

Part No.	Part Name	Qty In Use	Item No.
330315	Sway Bar Linkage Ball Stud	4	SW-330315
330327	S104 Servo Saver Shaft	2	SW-330327
330328	S104 Servo Saver Post	1	SW-330328
330329	S104 Servo Saver Nut	1	SW-330329
330331	S104 Steering Linkage 5mm Ball Stud (L4.1mm)	2	SW-330331
330332	S104 Front Upper Arm Arm HingPin	2	SW-330332
330338	S104 Aluminum Battery Holder Nut	1	SW-330338
330342A	S104 Aluminum Front Upper Arm Holder (BK)	1	SW-330342A
330347A	S104 Pro-composite Carbon Steering Knuckle Plate (L)	1	SW-330347A
330348A	S104 Pro-composite Carbon Steering Knuckle Plate (R)	1	SW-330348A
330409	S104 Motor Gear 19T	1	SW-330409
330473	S104 EVO Battery Case Support	2	SW-330473
330476	S104 EVO Front Pro-composite Carbon Shock Tower	1	SW-330476
330477	S104 EVO Rear Pro-composite Carbon Shock Tower	1	SW-330477
330469A	S104 +1mm Wide Wheel Hub 14mm(HC)	4	SW-330469A
330529	S104EVO/102 Shock Body (L)	2	SW-330529
330530	S104EVO/102 Shock Body (S)	2	SW-330530
330531	S104EVO/102 Shock Shaft(L)	2	SW-330531
330532	S104EVO/102 Shock Shaft(S)	2	SW-330532
330544	S102 Shock Seal Cover (SP)	4	SW-330544
330545	S102 Shock Seal Washer(3.3X6.5X2.0(SP)	8	SW-210065
330546	S102 Shock Cap (SP)	4	SW-330546
330547	S104EVO/S102 Shock Piston(1.5mmX2 Holes)	4	SW-330547
330594	S104 EVO F.C.S.S. 7075 Main Chassis	1	SW-330594
330595	S104 EVO Rear Lower Arm Holder for FC39 chassis	1	SW-330595
330596	S104 EVO Aluminum Rear Lower Arm Plate For FC39 Chassis (0-3.00)	1	SW-330596
330597	S104 EVO Rear Longer Aluminum Shock Cap Stud	2	SW-330597
330598	S104 EVO Front Lower Arm Holder for FC39 chassis	1	SW-330598
330599	S104 EVO Pro-composite Carbon Center Support (Front)	1	SW-330599
330600	S104 EVO Aluminum Steering Bellcrank A Upper	1	SW-330600
330601	S104 EVO Servo Saver Steering Plate	1	SW-330601
330602	S104 EVO Aluminum Center Motor Mount (Bottom)	1	SW-330602
330603	S104 EVO Aluminum Motor Adjust Mount	1	SW-330603
330604	S104 EVO Aluminum Center Motor Mount Cover	1	SW-330604
330605	S104 EVO Aluminum Center Diff/Slipper Clutch Mount	1	SW-330605
330606	S104 EVO Front Lower Suspension Plate	1	SW-330606
330607	S104 EVO Aluminum Rear Center Support Holder	1	SW-330607
330609	2015 S104 EVO Pro-composite Carbon Center Support (Rear)	1	SW-330609
330610	S104 EVO Pro-composite Carbon Center Diff/Slipper Clutch Cover	1	SW-330610
330611	2015 S104 EVO Pro-composite Carbon Battery Case	2	SW-330611
330612	S104 EVO Aluminum Servo Holder	1	SW-330612
330613	S104 EVO Aluminum Servo Post	1	SW-330613
330614	S104 EVO Pro-composite Carbon Servo Linkage Plate	1	SW-330614
330615	S104 EVO Pro-composite Carbon Chassis Brace	1	SW-330615
330616	S104 EVO Rear Center Drive Shaft 113mm	1	SW-330616
330617	S104 EVO Front Center Drive Shaft 80mm	1	SW-330617
330618	2015 S104 EVO Shorty Pack Pro-composite Carbon Battery Holder	1	SW-330618
330643	S104 EVO Steering Linkage 5mm Ball Stud (L7mm)	8	SW-330643
400002	O-ring 55	6	SW-400002
400008	S104 O-ring for Pinion Gear 7.65x1.2mm	2	SW-400008
400013	S104 Shock Seal O-ring 2x2.7mm	6	X
400014	S104 Aluminum Shock Spring Adjust Nut O-Ring 1.5x13.5mm	4	SW-400014
400018A	S104 Shock Seal O-ring 3x6.6mm	8	SW-210065
410047	S102 Shock Cap O-Ring (SP)	4	SW-410047
410049	1/10 Shock Seal Cap O-ring (8*10*1)	4	SW-410049
420010	Antenna Cup	1	SW-200193
510049	S104 EK1 EVO Body Window Mask	1	SW-250034
510050	S104 EK1 EVO Body Decal Sheet	1	SW-510050
610012	S104 Diff. Gasket (0.4T)	3	SW-610012

Spare Part List

Item No.	Part Name
SW-101011	M2.5x6xT0.5mm
SW-101012	M3x6xT0.5mm
SW-101020A	S350 Sries 3mm Countersunk Washers (GM)
SW-101023	Shim 10x12x0.1mm
SW-101024	Shim 10x12x0.2mm
SW-101025	Shim 3.5x10x0.1mm
SW-103001	M3 Nut Lock
SW-103003A	Flange M3 Nut Lock (GM)
SW-104004	M3x3mm Set Screw
SW-104005	Set Screw M3x4
SW-104008	M4x4mm Set Screw
SW-104009	M3x16mm Set Screw
SW-105004	M2.5x6mm Cap Screw
SW-106001	M3x8mm Hex Scket OH/TP Screw
SW-106002	M3x10mm Hex Scket OH/TP Screw
SW-106005	M3x15mm Hex Scket OH/TP Screw
SW-106008	M3x12mm Hex Scket OH/TP Screw
SW-106010	M3x6mm Hex Scket OH/TP Screw
SW-106014	M2x6mm Hex Scket OH/TP Screw
SW-106015	M3x5mm Hex Scket OH/TP Screw
SW-106018	M3x3mm Hex Scket OH/TP Screw
SW-108001	M3x12mm FH/ST HEX Screw
SW-108003	M3x10mm FH/ST HEX Screw
SW-108006	M3x8mm FH/ST HEX Screw
SW-108007	M3x6mm FH/ST HEX Screw
SW-108017	M2.5x10mm FH/ST HEX Screw
SW-108018	M3x30mm FH/ST HEX Screw
SW-108020	M2.0x4mm FH/ST HEX Screw
SW-115055	S104 Sway Bar 1.3mm
SW-115056	S104 Sway Bar 1.5mm
SW-115062	1/10 Body Clip
SW-115090	S104EVO/S102 Front Shock Spring(1.3P5.5)
SW-115091	S104EVO/S102 Rear Shock Spring(1.2Px5.0)
SW-115131	S104 EVO Servo Saver Spring(H)
SW-116013	Ball Bearing 10x15x4mm
SW-116017	Ball Bearing 6x12x4mm
SW-117003	Flange Ball Bearing 3x6x2.5mm (2pc)
SW-117004	Bushing 5x8x2.5mm
SW-200193	Antenna Tube
SW-210036	S104 Diff. Case Set
SW-210065	S104 EVO/S102 series Pro Shock Seal Kit
SW-250034	SWORKz S104 EVO Velocity Body Shell Set
SW-250035	SWORKz S104 EVO Velocity Body Shell Side Guard Set
SW-2501794B	S104 EVO Front Up/Lower Arm Set
SW-2501795B	S104 EVO Rear Lower Arm Set
SW-2501796A	S104EVO Gear Box Set (F&R)
SW-2501797B	S104EVO Front Steering Knuckle andRear Hub Carrier Set
SW-2501798A	S104 EVO Wing Slay Set with Bumper and Arm Holder
SW-2501800	S104 Rear Wing Set
SW-2501801B	S104 EVO Settling Bellcrank Set with Servo Horn Set
SW-2501806B	S104 EVO Plastic Ball End Set
SW-2501807	S104 Shock Spring Holder with Ball End Plastic Parts
SW-2501808	S104 Plastic Insert Set
SW-2501810WH	S104 Front Wheel (WH)
SW-2501811WH	S104 Rear Wheel (WH)
SW-2502212	14mm Plastic Wheel Hex Tool Hand Bar
SW-2502524	S104 EVO Plastic Bumper Accessories Set
SW-2502527	S104 EVO Center Gear Diff 87T Spur Gear (48DP)
SW-330134	Shock Ball Stud 6mmxL6.7
SW-330155	Steering Servo Turnbuckle (M3x30mm)
SW-330278	S104 Diff. Bevel Gear Set
SW-330279	S104 Bevel Gear Shaft
SW-330282	S104 Front/Rear Diff. Outdrive
SW-330283	S104 Pin M2.0x10mm
SW-330284	S104 Crown Gear 42T

Spare Part List

Item No.	Part Name
SW-330285	S104 Pin M2.0x14mm
SW-330286	S104 Pinion Gear 17T
SW-330292	S104 Front/Rear Lower Arm HingPin (2pc)
SW-330293	S104 Rear Hub Carrier Hing pin (2pc)
SW-330294	S104 CVD Axle (2pc)
SW-330295	S104 CVD Join (2pc)
SW-330296A	S104 PRO CVD Drive Shaft 78mm
SW-330298A	S104 Wheel Nut 14mm (HC)
SW-330304A	S104 Aluminum Shock Spring Adjust Nut (BK)
SW-330312A	S104 Aluminum Shock Cap Stud
SW-330314	S104 Steering Knuckle Pivot Ball Turnbuckle (4pc)
SW-330315	Sway Bar Linkage Ball Stud (4pc)
SW-330316A	S104 Aluminum Knuckle Pivot Ball Washer 2mm (GM)
SW-330327	S104 Servo Saver Shaft
SW-330328	S104 Servo Saver Post
SW-330329	S104 Servo Saver Nut
SW-330330	S104 Servo Saver Steering Plate
SW-330331	S104 Steering Linkage Ball Stud 5mm (4pc)
SW-330332	S104 Front Upper Arm Arm HingPin (2pc)
SW-330338	S104 Aluminum Battery Holder Nut
SW-330342A	S104 Aluminum Front Upper Arm Holder (BK)
SW-330347A	S104 Pro-composite Carbon Steering Knuckle Plate (L)
SW-330348A	S104 Pro-composite Carbon Steering Knuckle Plate (R)
SW-330409	S104 Motor Gear 19T
SW-330469A	S104 +1mm Wide Wheel Hub 14mm(HC)
SW-330473	S104 EVO Battery Case Support
SW-330476	S104 EVO Front Pro-composite Carbon Shock Tower
SW-330477	S104 EVO Rear Pro-composite Carbon Shock Tower
SW-330529	S104EVO/S102 Shock Body (L)
SW-330530	S104EVO/S102 Shock Body (S)
SW-330531	S104EVO/S102 Shock Shaft(L)
SW-330532	S104EVO/S102 Shock Shaft(S)
SW-330544	S102 Shock Seal Cover (SP)
SW-330546	S102 Shock Cap (SP)
SW-330547	S104EVO/S102 Shock Piston(1.5mmX2 Holes)
SW-330594	S104 EVO F.C.S.S. 7075 Main Chassis
SW-330595	S104 EVO Rear Lower Arm Holder for FCSS chassis
SW-330596	S104 EVO Aluminum Rear Lower Arm Plate For FCSS Chassis (B-3.0D)
SW-330597	S104 EVO Rear Longer Aluminum Shock Cap Stud
SW-330598	S104 EVO Front Lower Arm Holder for FCSS chassis
SW-330599	S104 EVO Pro-composite Carbon Center Support (Front)
SW-330600	S104 EVO Aluminum Steering Bellcrank A Upper
SW-330601	S104 EVO Servo Saver Steering Plate
SW-330602	S104 EVO Aluminum Center Motor Mount (Bottom)
SW-330603	S104 EVO Aluminum Motor Adjust Mount
SW-330604	S104 EVO Aluminum Center Motor Mount Cover
SW-330605	S104 EVO Aluminum Center DiffSlipper Clutch Mount
SW-330606	S104 EVO Front Lower Suspension Plate
SW-330607	S104 EVO Aluminum Rear Center Support Holder
SW-330609	2015 S104 EVO Pro-composite Carbon Center Support (Rear)
SW-330610	S104 EVO Pro-composite Carbon Center DiffSlipper Clutch Cover
SW-330611	2015 S104 EVO Pro-composite Carbon Battery Case
SW-330612	S104 EVO Aluminum Servo Holder
SW-330613	S104 EVO Aluminum Servo Post
SW-330614	S104 EVO Pro-composite Carbon Servo Linkage Plate
SW-330615	S104 EVO Pro-composite Carbon Chassis Brace
SW-330616	S104 EVO Rear Center Drive Shaft 113mm
SW-330617	S104 EVO Front Center Drive Shaft 80mm
SW-330618	2015 S104 EVO Shorty Pack Pro-composite Carbon Battery Holder
SW-330643	S104 EVO Steering Linkage 5mm Ball Stud (L7mm)
SW-400002	O-ring S5 4.8X1.5
SW-400008	S104 O-ring for Pinion Gear 7.65x1.2mm (2pc)
SW-400014	S104 Aluminum Shock Spring Adjust Nut O-Ring 1.5x13.5mm
SW-410047	S102 Shock Cap O-Ring (SP)
SW-410049	1/10 Shock Seal Cap O-ring (8*10*1)

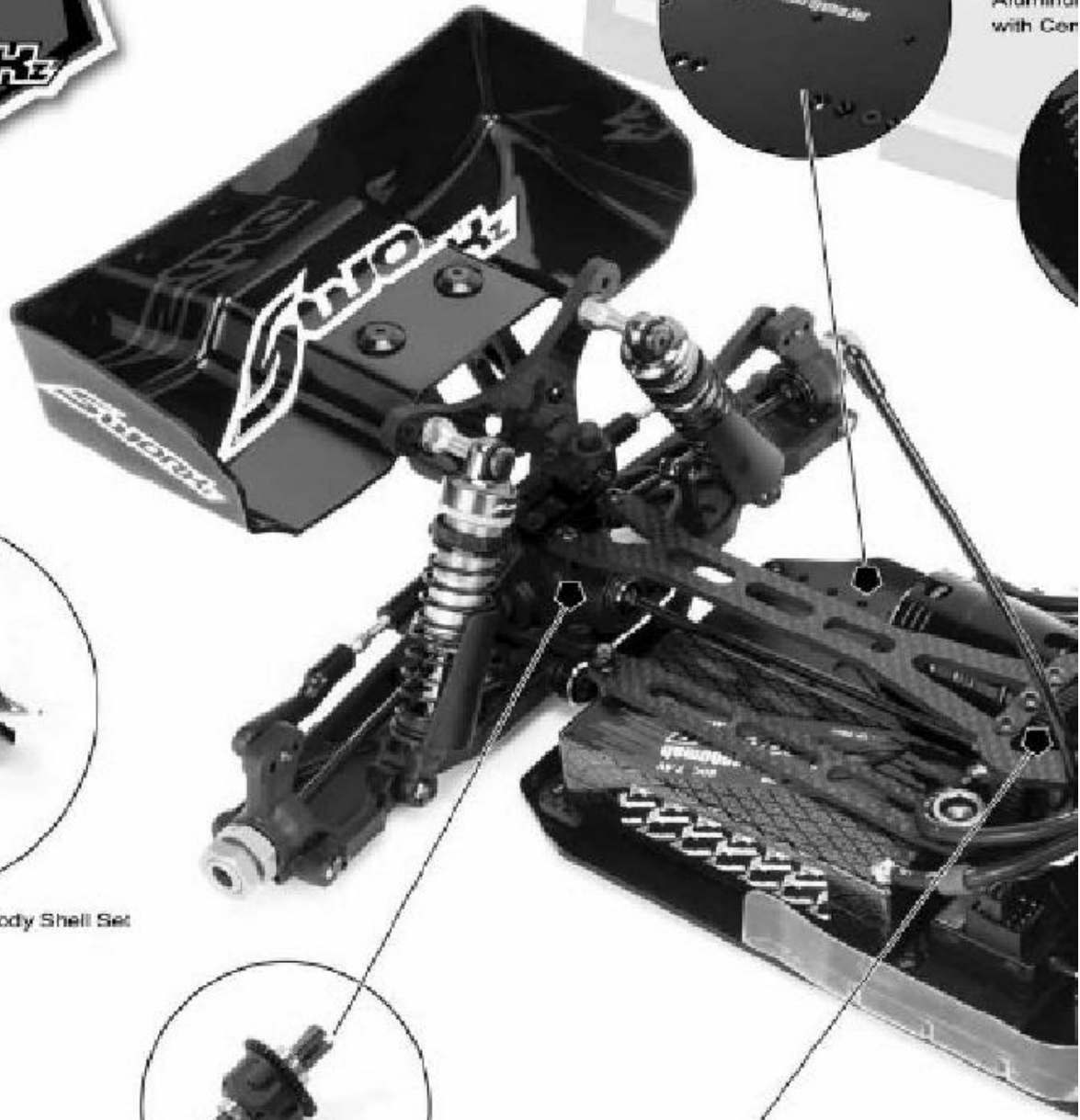
Spare Part List

Item No.	Part Name
SW-510050	\$104 EVO Velocity Body Decal Sheet
SW-610012	\$104 Diff. Gasket (0.4T) (2pc)
SW-610013	\$104 Center Slipper Clutch Pad (2pc)

Option Part List

Item No.	Part Name
SW-2501800AFY	\$104 Rear Wing Set (W/O Holes) (FY)
SW-2501800AOG	\$104 Rear Wing Set (W/O Holes) (OR)
SW-2501800AWH	\$104 Rear Wing Set (W/O Holes) (WH)
SW-2501956	\$104 Front Wheel (FY) (2pc)
SW-2501957	\$104 Rear Wheel (FY) (2pc)
SW-330324	\$104 Motor Gear 20T
SW-330335	\$104 Aluminum Rear Wing Washer
SW-330338	\$104 Aluminum Battery Holder Nut (4pc)
SW-330342	\$104 Aluminum Front Upper Arm Holder
SW-330410	\$104 Motor Gear 21T
SW-330411	\$104 Motor Gear 22T
SW-330412	\$104 Motor Gear 23T
SW-330413	\$104 Motor Gear 24T
SW-330418	\$104 Carbon Fiber Battery Holder Set for Saddle Pack
SW-330442	\$104 Aluminum Pivot Ball Cup Holder Set (4pc)
SW-330443	\$104 Pivot Ball Cup Insert3.7mm (4pc)
SW-330468	SWORKz \$104 +2mm Wide Wheel Hub 14mm
SW-330469	SWORKz \$104 -1mm Wide Wheel Hub 14mm
SW-250042	SWORKz 1/10 sonic lexan wing 6.5"
SW-250042BK	SWORKz 1/10 sonic lexan wing 6.5" (BK)
SW-250042WH	SWORKz 1/10 sonic lexan wing 6.5" (WH)
SW-330509	\$104 Series Lightened Wheel Hub(~2mm)
SW-330510	\$104 Series Lightened Wheel Hub(~1mm)
SW-330511	\$104 Series Rear Aluminum Wheel Hub Carrier
SW-330512	\$104 Series Pro Wheel Nut (GM)
SW-210068	\$104 EVO Series Center Slipper Clutch Set

SWORKz F.C.S.S. with B.H.C. Chassis Design.



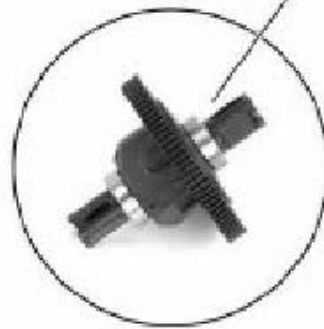
Aluminum
with Cer



SWORKz S104 EVO Velocity Body Shell Set



Standard with SWORKz X-System
transmission gear system.



New Adjustable Steer
with New Bell Crank S

New Centre Diff System.

Using our 1/8th buggy materials we produced the S104 EVO series. The S104 EVO is very s
a good balanced car. The SWORKz S104 EVO 4WD buggy with its FCSS chassis comes st
with the SWORKz X-system transmission that provides excellent car acceleration. Equipped w
Big Bore Shocks and 3 oil filled gear differentials, the S104 EVO delivers good traction and
any off road track. The pivot ball steering system gives the driver a good feel of the buggy.

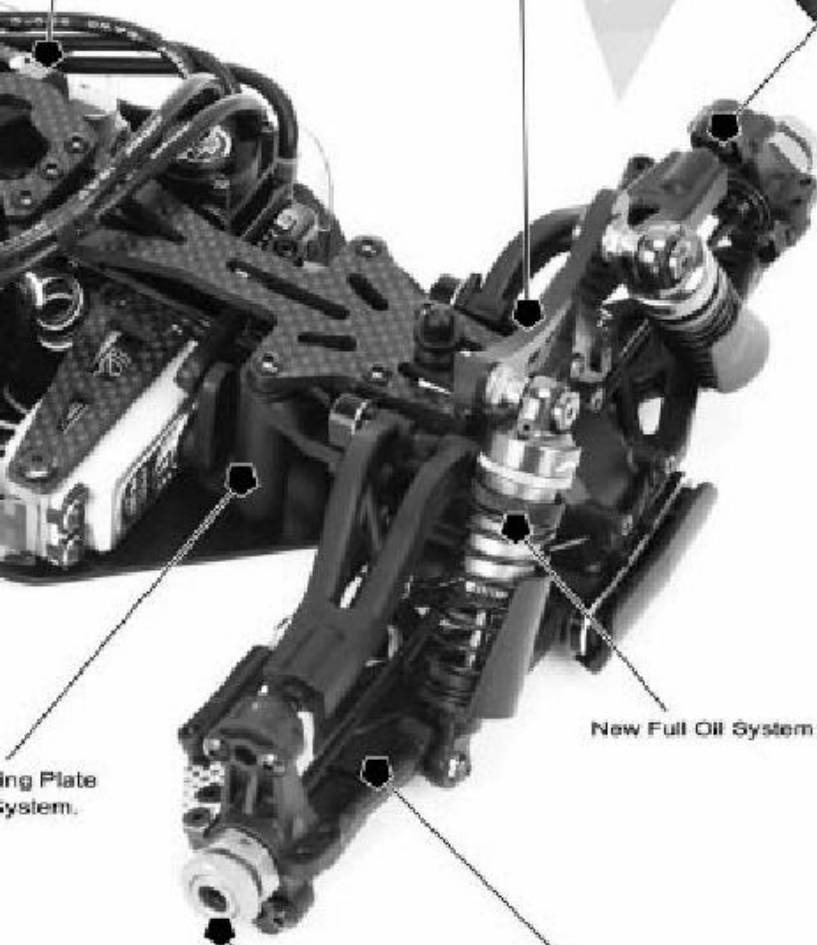
Easy Fit for Motor Holder
Differential Mount.



New Strengthen Carbon Fiber shock towers
with New Geometry Shock Position.



Pivot Ball Steering System.



ing Plate
system.

New Full Oil System Big Bore Shocks.

New Strengthen Material arms
with new suspension geometry.

14mm Hex Wheel Hub system.

Strong and
standard
with New
balance on

S104EMD

SWORKZ



SPEEDMASTER HOBBY CO., LTD.
TEL: +886-3-538-7638
FAX: +886-3-538-7328
No.42, Ruiguang St., Xiangshan Dist.,
Hsinchu City 300, Taiwan (R.O.C.)
www.sworkz.com

S104EVO