



# S12-1M

*1/10 2WD EP Buggy with Middle Transmission*



**SWORKz S12-1M INSTRUCTION MANUAL**

# S12-1M

1/10 2WD EP Buggy with Middle Transmission

## INSTRUCTION

The S12-1M chassis platform is designed for racing. It features a mid-front gear box with a lower position spur gear system. The motor position is 65mm away from the traditional gear box (S12-1R) improving the cornering speed when racing on carpet tracks.

The S12-1M also features a 3mm 7075 chassis layout that allows up to 4 different battery positions. The buggy comes with a 6mm aluminum front shock tower and all the lower arm holders are made of strong aluminium.

SWORKz designed a Pure Oil Shock System (no shock bladders) for quicker shock response and improved suspension feel.

The S12-1M comes standard with the innovative Eaglet body designed for more rear grip and steering response. The Eaglet body provides a well balance feel in both mid-motor and rear-motor configurations.

The S12-1M platform was designed from the ground up and is the perfect buggy for the serious racer and weekend hobbyist alike. The smart and efficient design incorporated with a cost-effective and user friendly platform was our primary goal from the beginning of the S12-1M project. We now introduce to you the SWORKz S12-1M.....

Congratulations on your purchase of the new SWORKz S12-1M 1/10 scale off-road racing buggy pro kit.

Please read this manual thoroughly, before you attempt to start or drive your S12-1M. This manual contains step-by-step instructions to help you complete, prepare for startup, and fine-tune your buggy. Updates, setups, and product news will be posted on our website ([www.sworkz.com](http://www.sworkz.com)).

As always, if you should ever have any questions or need help with your S12-1M, please feel free to contact our official SWORKz dealers and distributors. You may also contact us at any time for the most up to date information and support.

### S12-1M Chassis Features:

1. 3mm 7075 aluminum F.C.S.S. Chassis Design. with B.H.C.(Black Hard Coated)
2. New 1/10 2WD Lay Down Transmission Gear Box System with Middle Front Motor Position.
3. New 3 Pads Slipper Clutch System Design.
4. Standard with Gear Diff System.
5. Full Oil System Big Bore Shocks.
6. Standard with 6mm 7075 Aluminum Front Shock Tower and Rear 4mm Pro-composite Carbon Fiber Shock Tower.
7. New Strengthen Material arms with new suspension geometry.
8. Includes both 12mm and 14mm Hex Wheel Hub System.
9. C-Hub Steering System Design.
10. New Adjustable Steering Plate with New Bell Crank System.
11. Full Aluminum Arm Holders and Toe in Plates.
12. Fits 2 types of Li-Po batteries. (Saddle pack and Shorty park)
13. Standard with SWORKz 1/10 Sonic Lexan 6.5" Wing.(2 sets)
14. Standard with S12-1 Eaglet Style Body Shell with Top Wing.

Specification	
Length:	415mm
Width:	248mm
Height:	45mm
Ground Clearance:	48mm
Wheelbase:	280-283mm
Track:	F:248mm / R:243mm
Gear Ratio:	S:82/21T
Weight:	1480g~1580g



## WARRANTY

Your SWORKz S12-1M kit warranty covers workmanship and manufacturing defects of the original and unmodified parts. Warranty claims resulting from crashes, abuse, improper operation, improper mounting, improper adjustment or lack of maintenance will not be honored.

Contact your local hobby shop or SWORKz distributor for all claims and questions. Claims must be well documented. All Claims are subject to expert examination approval by SWORKz



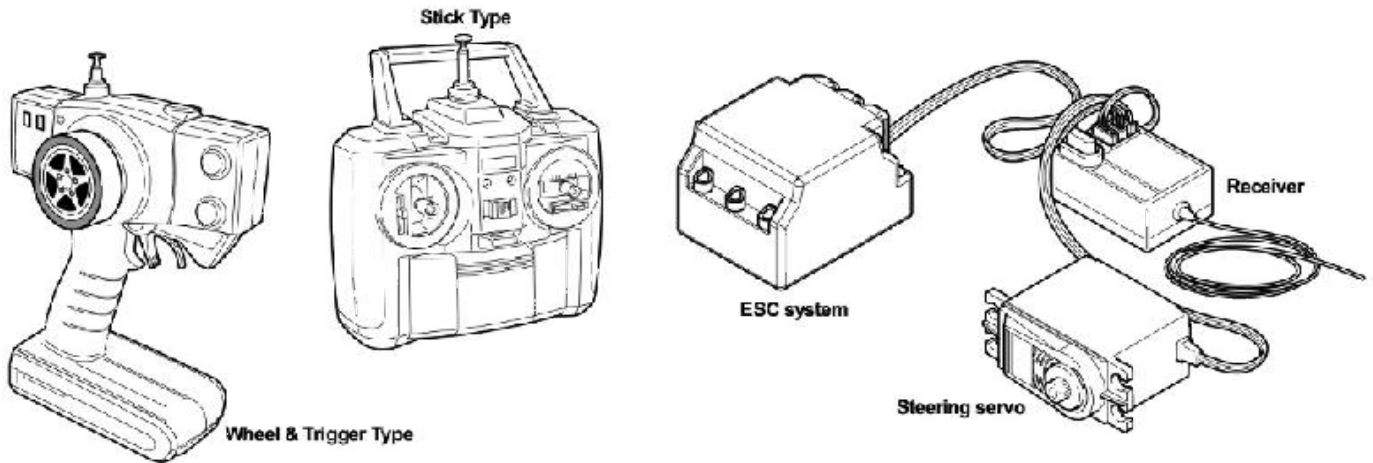
<b>Instruction</b>	<b>2</b>
<b>Warranty</b>	<b>3</b>
<b>Index</b>	<b>4</b>
<b>Required equipment for operation</b>	<b>5</b>
<b>Explosion view with spare parts number</b>	<b>6-12</b>
<b>Operation guide</b>	<b>13</b>
<b>Assembly steps</b>	<b>14-33</b>
<b>Blank set-up sheet</b>	<b>34</b>
<b>Set-up sheet</b>	<b>35</b>
<b>S12-1M key no. list</b>	<b>36-37</b>
<b>S12-1M spare part list</b>	<b>38</b>
<b>S12-1M option parts list</b>	<b>39</b>



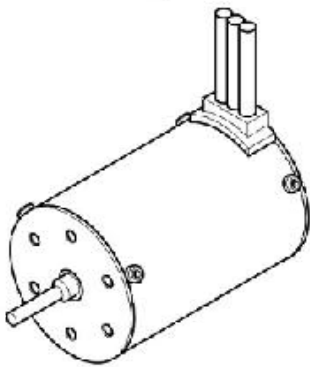
**This radio control racing car is not a toy!**  
**This high-performance R/C model is recommended for ages 14 and older.**

# Required Equipment for Operation

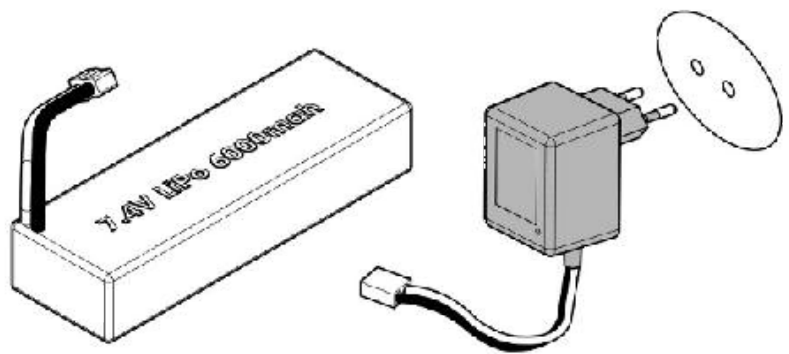
## Radio Gear



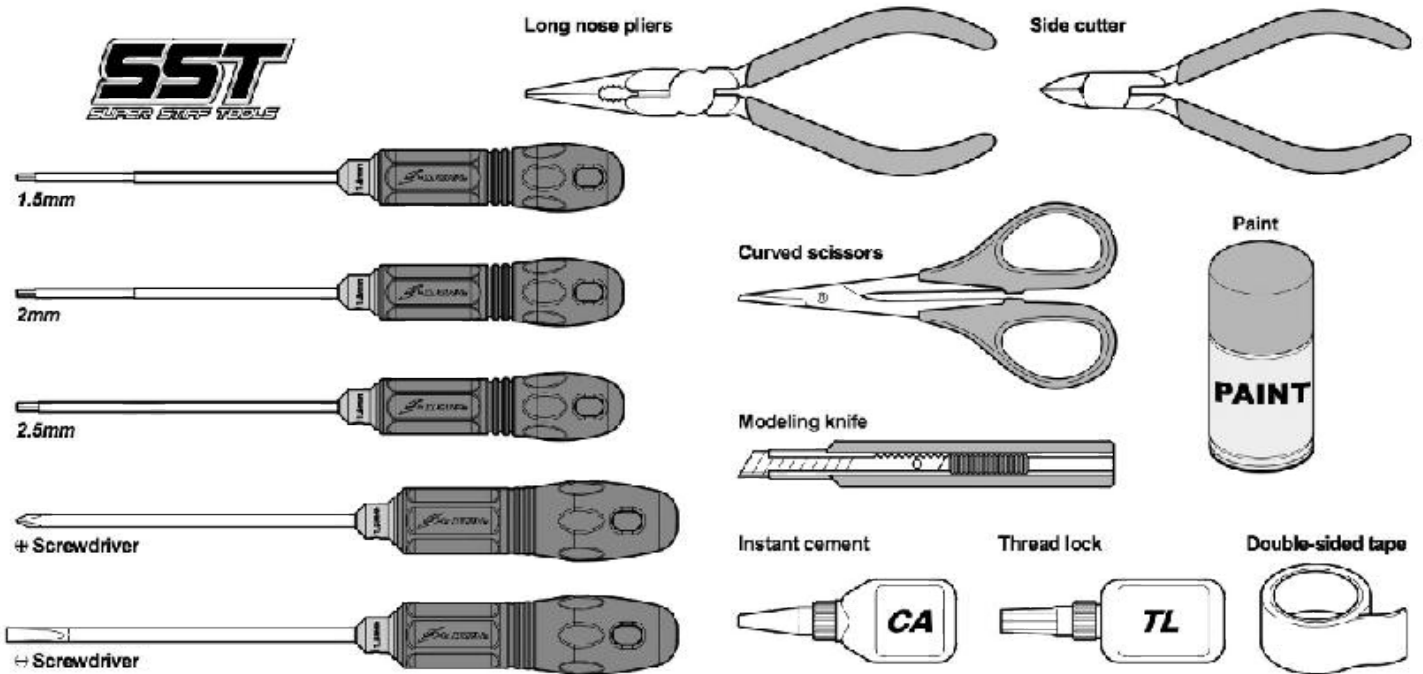
## Breshless Motor



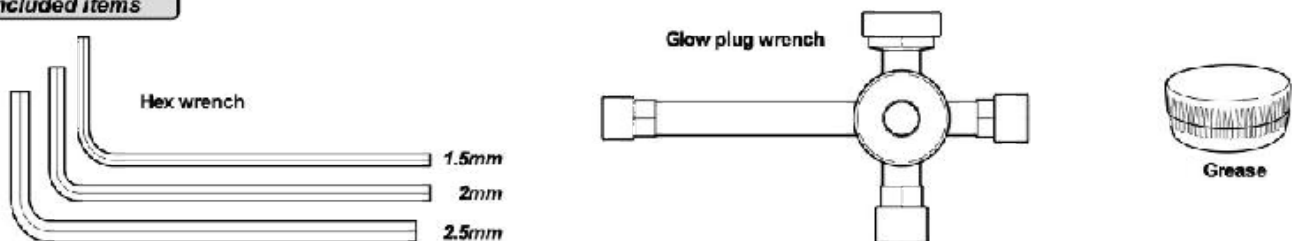
## Charger and LiPo Battery



## Tools Recommended



## Included items





**106014**  
M2x6mm Hex Scket OH/TP Screw x8



**106020**  
M2.5x5mm Hex Socket OH/TP Screw x14



**106010**  
M3x6mm Hex Socket OH/TP Screw x12



**106001**  
M3x8mm Hex Socket OH/TP Screw x7



**106002**  
M3x10mm Hex Socket OH/TP Screw x16



**106008**  
M3x12mm Hex Scket OH/TP Screw x8



**106005**  
M3x15mm Hex Scket OH/TP Screw x4



**108020**  
M2x4mm FH/ST HEX Screw x4



**108006**  
M3x8mm FH/ST HEX Screw x23



**108003**  
M3x10mm FH/ST HEX Screw x6



**108001**  
M3x12mm FH/ST HEX Screw x8



**108005**  
M3x14mm FH/ST HEX Screw x4



**108015**  
M3x16mm FH/ST HEX Screw x2



**104004**  
M3x3mm Set Screw x3



**104012**  
M3x12mm Set Screw x5



**104012**  
M4x4mm Set Screw x2



**330331**  
Steering Linkage Ball Stud 4.1mm x10



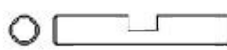
**330664**  
Steering Linkage Ball Stud 5mm x4



**330283**  
Pin M2x10mm x4



**330285**  
Pin M2x14mm x2



**330279**  
Bevel Gear Shaft x2



**330525**  
Rear Lower Arm Hinge Pin (3x44mm) x2



**330537**  
Front Hub Carriers Hinge Pin x4



**330536**  
Front Hub Carriers Hing Pin x4



**330300**  
Rear Upper Sus. Arm Tumbuckles x6



**330532**  
Shock Shaft S x2



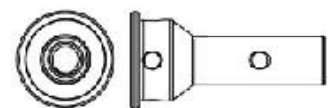
**330531**  
Shock Shaft L x2



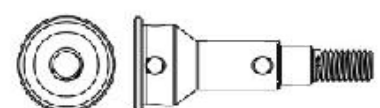
**330312A**  
Aluminum Shock Cap Studk x2



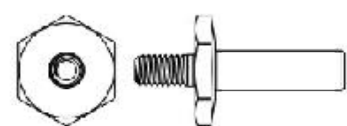
**330597**  
Aluminum Shock Cap Studk x2



**330294**  
CVD Axle x2



**330581**  
CVD Axle x2



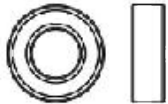
**330534**  
Steering Hub Hinge Pin x2



**116015**  
Bushing 5x8x2.5mm x4



**116010**  
Bushing 5x10x4mm x8



**116017**  
Ball Bearing 6x12x4mm x2



**116013**  
Ball Bearing 10x15x4mm x4



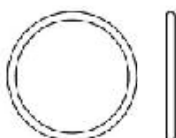
**400018A**  
Shock Seal O-ring 3x6.6mm x8



**400002**  
O-ring S5 4.8x1.5 x2



**410049**  
Shock Seal Cap O-ring 8x10x1mm x4



**410047**  
S102 Shock Cap O-Ring (SP) x4



**400014**  
O-Ring 1.5x13.5mm x6



**330304A**  
Aluminum Shock Spring Adjust Nut x4



**103004**  
M2 5 Nut Lock x4



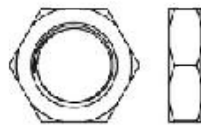
**103003**  
M3 Nut Lock x2



**103005**  
Flange M3 Nut Lock x1



**103002**  
Flange M4 Nut Lock x4



**330298A**  
S104 Wheel Nut 14mm x2



**101012**  
Washer M3x6xT0.5mm x4



**101011**  
Shock Washer 2.6x6x0.5mm x4



**101026**  
Insert M3x6xT1.5mm x2



**2502394**  
Washer M3x7xT1mm x6



**330305**  
Shock Washer 3.3x6.7x1mm x4



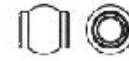
**101004**  
Shim 3.5x10x0.2mm x4



**101020A**  
3mm Countersunk Washers (RD) x8



**330528**  
CVD Join x2



**330134**  
Shock Ball Stud x4



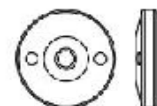
**330545**  
Shock Washer 3.3x6.5x2.5mm x8



**115135**  
Slipper clutch Spring x1



**330544**  
Aluminum Shock Seal Cover x4



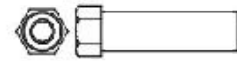
**330547**  
Shock Piston 1.5mmx2 holes x4



**2502401**  
Arm Hinge Pin Insert x4



**116015**  
Servo Saver Bushing 3x4mm x2



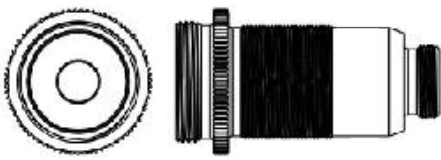
**116015**  
Servo Saver Post x2



**330582**  
Wheel Hub x2



**330528**  
Wheel Hub x2



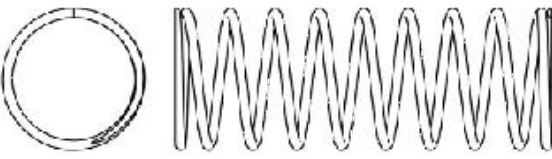
**330530**  
*S104EVO/102 Shock Body (S)* x2



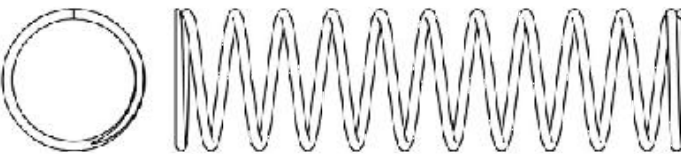
**330529**  
*S104EVO/102 Shock Body (L)* x2



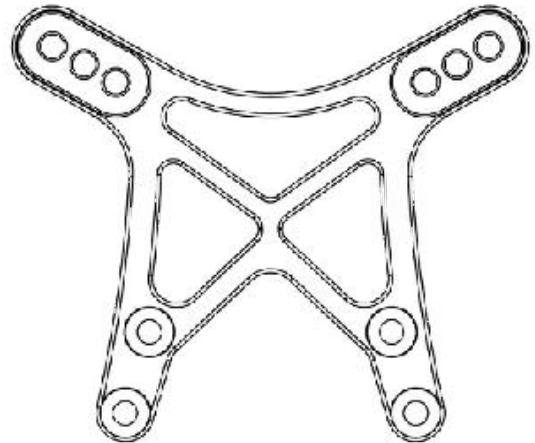
**330527**  
*S12-1 Pro Rear Carbon Fiber Shock Tower* x1



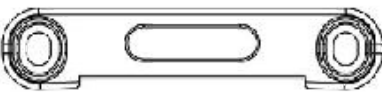
**115090**  
*S104EVO/S102 Front Shock Spring(1.3Px5.5)* x2



**115091**  
*S104EVO/S102 Rear Shock Spring(1.2Px6.0)* x2



**330673**  
*S12-1 Aluminum Pro Front Shock Tower* x1



**330654**  
*Rear Lower Arm Holder* x1



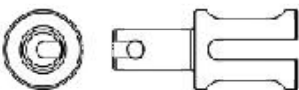
**330655**  
*Front Lower Suspension Plate* x1



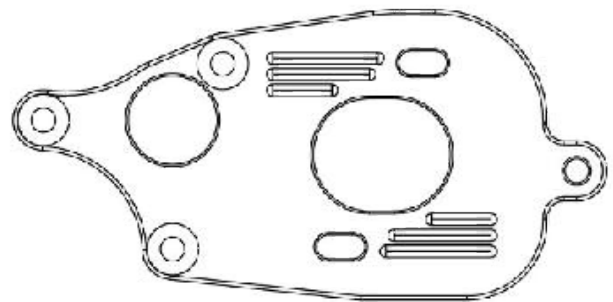
**330538**  
*Front Lower Arm Holder* x1



**330516**  
*Battery Case Support* x1



**330541**  
*Front/Rear Diff. Outdrive* x2



**330666**  
*Aluminum Center Slipper Clutch Mount for Motor* x1

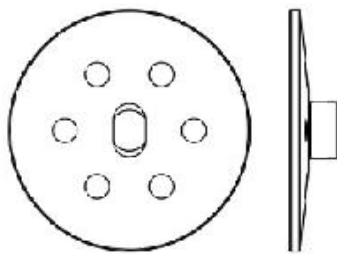


**330526**  
*F/R Drive Shaft 78mm* x4

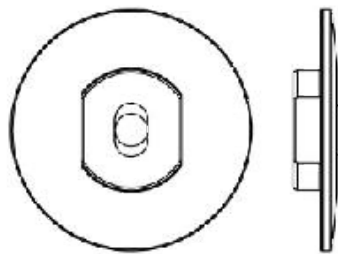


**330546**  
*Shock Cap* x4

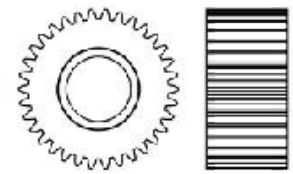




**330672**  
S12-1 Slipper Clutch Outside Holder **x1**



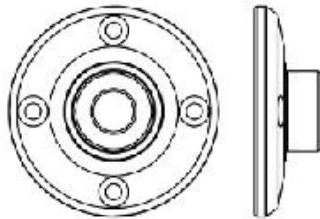
**330671**  
S12-1 Slipper Clutch Inside Holder **x1**



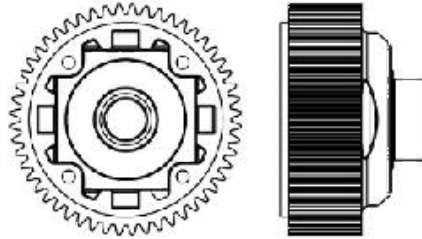
**2503134-04**  
S12-1 M Edition Idler Gear 34T **x1**



**330278**  
Diff. Bevel Gear 10T **x4**



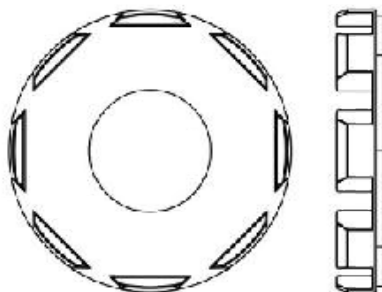
**2502402-02**  
S12-1 Diff Case Cover **x1**



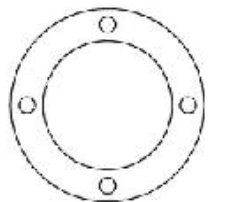
**2502402-01**  
S12-1 Diff Case **x1**



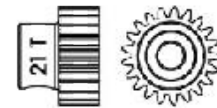
**330277**  
Diff. Bevel Gear 18T **x2**



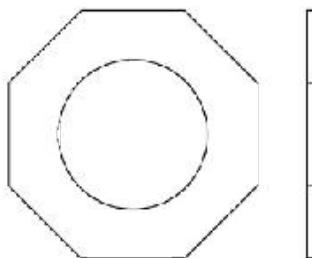
**2502403-06**  
S12-1 Slipper Clutch Case **x1**



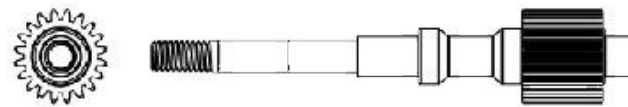
**610017**  
Diff. Gasket(0.41) **x1**



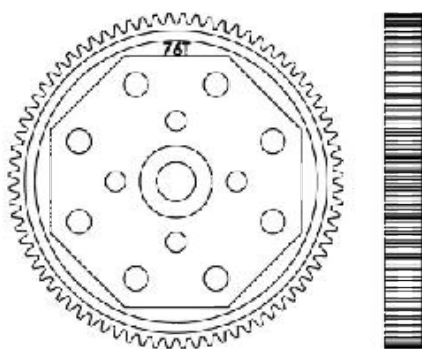
**330410**  
S12-1 Motor Gear 21T **x1**



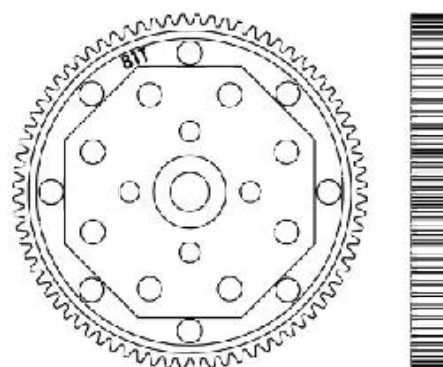
**610013**  
S104 Center Slipper Clutch Pad **x1**



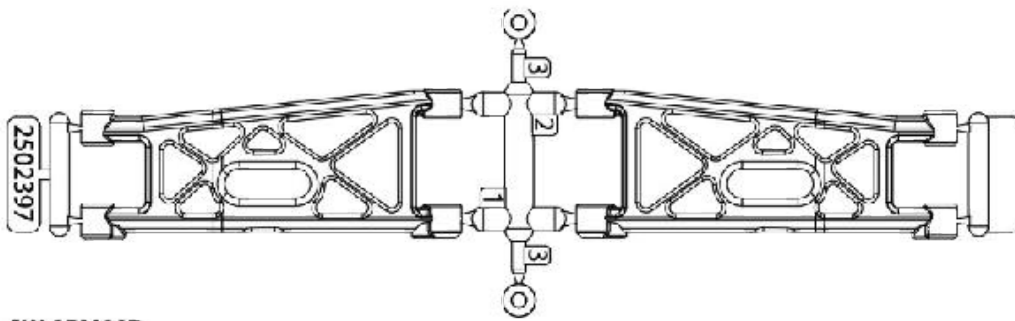
**330627**  
S12-1 Aluminum Idler Gear 20T **x1**



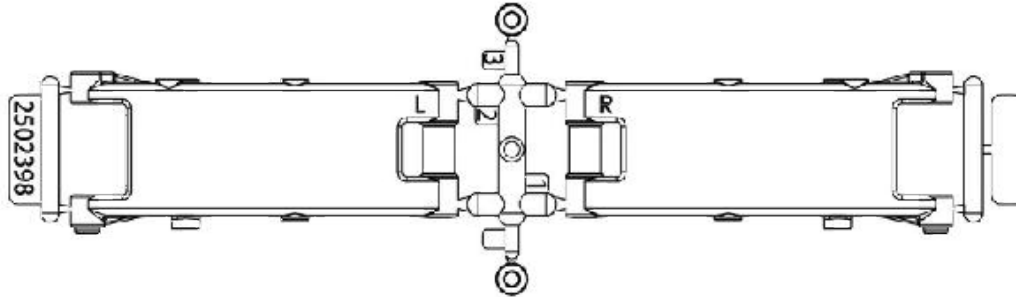
**2502403-03**  
Center Gear Diff 76T Spur Gear **x1**



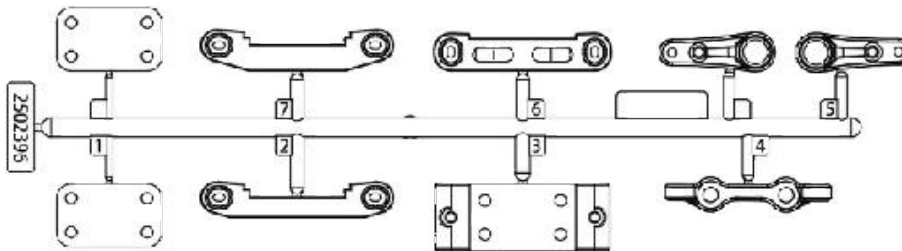
**2502403-04**  
Center Gear Diff 81T Spur Gear **x1**



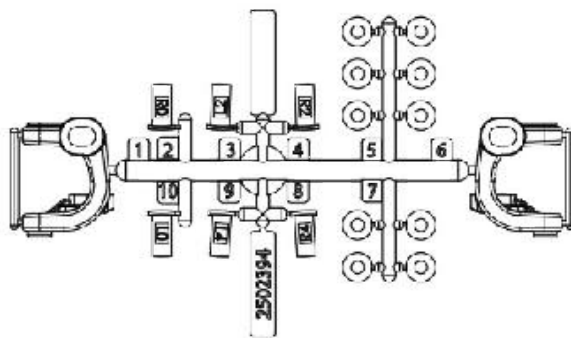
**SW-2502397**  
S12-1 Front Lower Arm Set **x1**



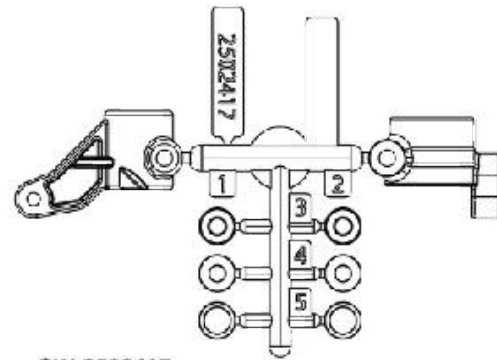
**SW-2502398**  
S12-1 Rear Lower Arm Set **x1**



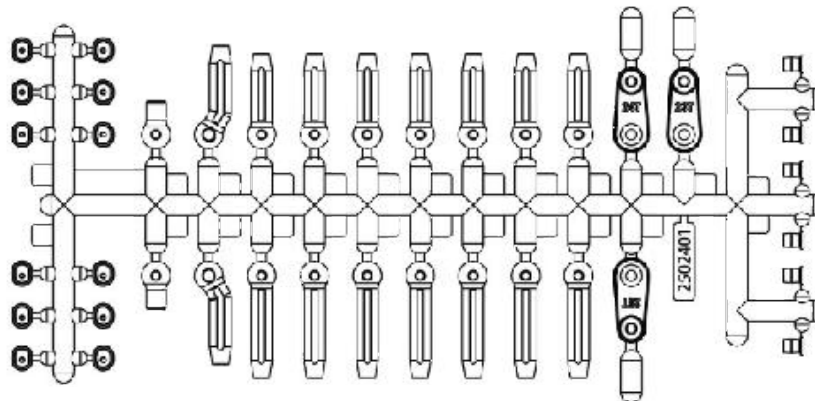
**SW-2502396**  
S12-1 Front Lower Arm Suspension Holder and Adjust Insiter Set **x1**



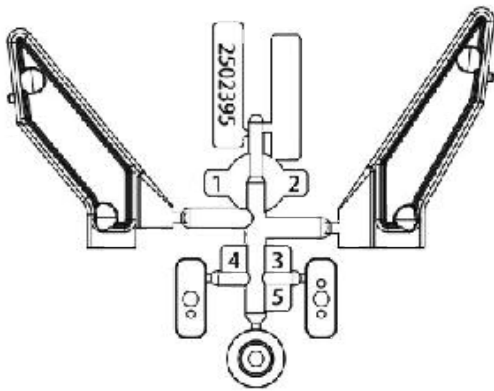
**SW-2502394**  
S12-1 Front Steering Knuckle and Inserts Set **x1**



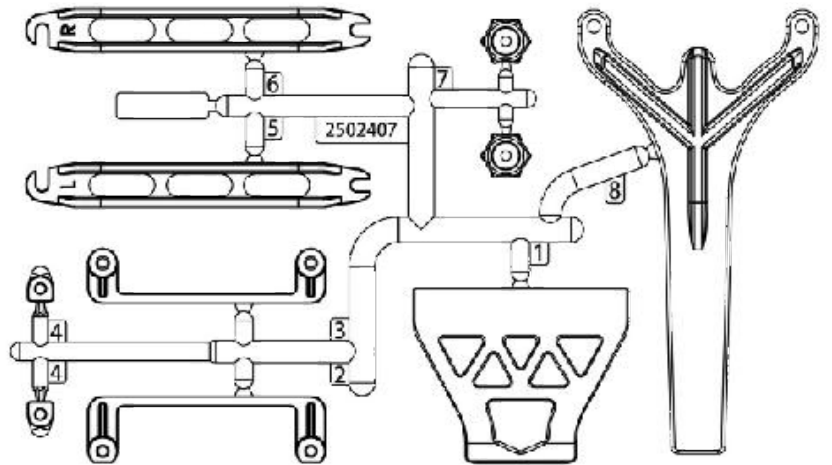
**SW-2502417**  
S12-1 Front Steering and Rear Hubs **x1**



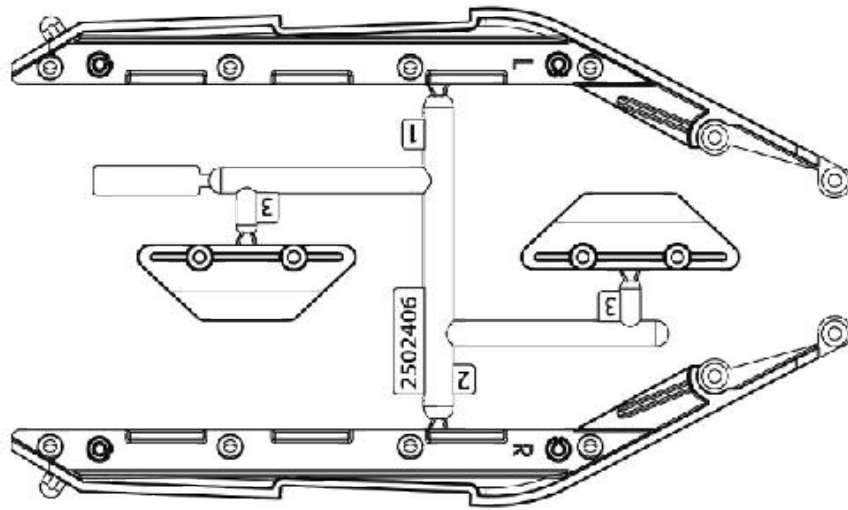
**SW-2502401**  
S12-1 Bell End Caps and Hinge Pin Inserts **x1**



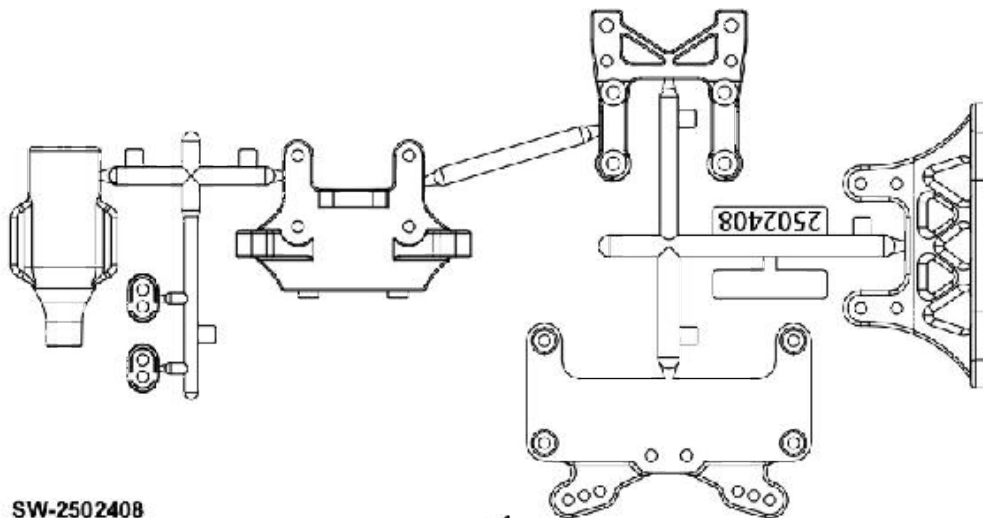
**SW-2502395**  
S12-1 Rear Wing Mount Sets *x1*



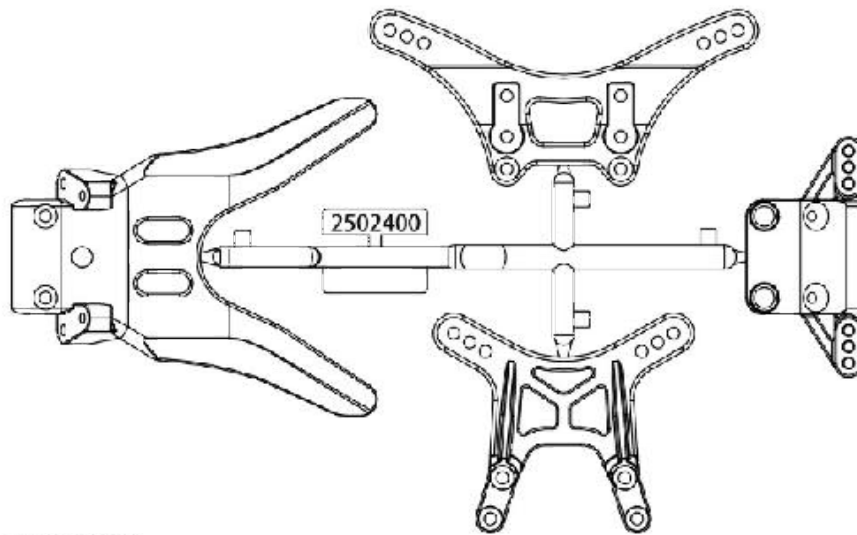
**SW-2502407**  
S12-1 Batter Holder Parts Set *x1*



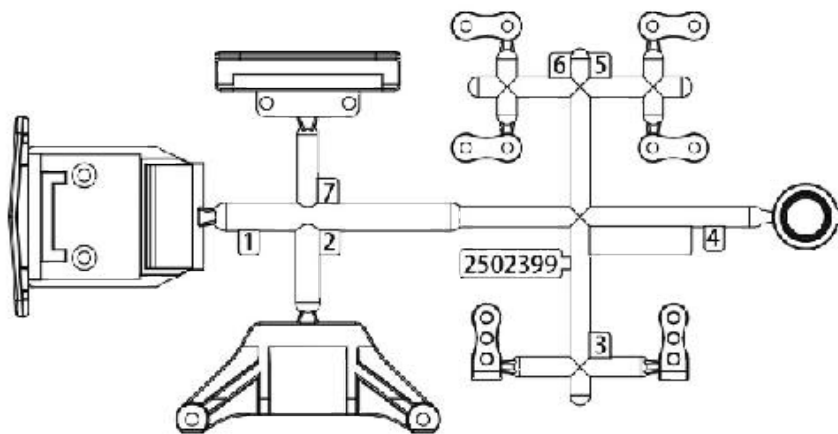
**SW-2502406**  
S12-1 Side Guard *x1*



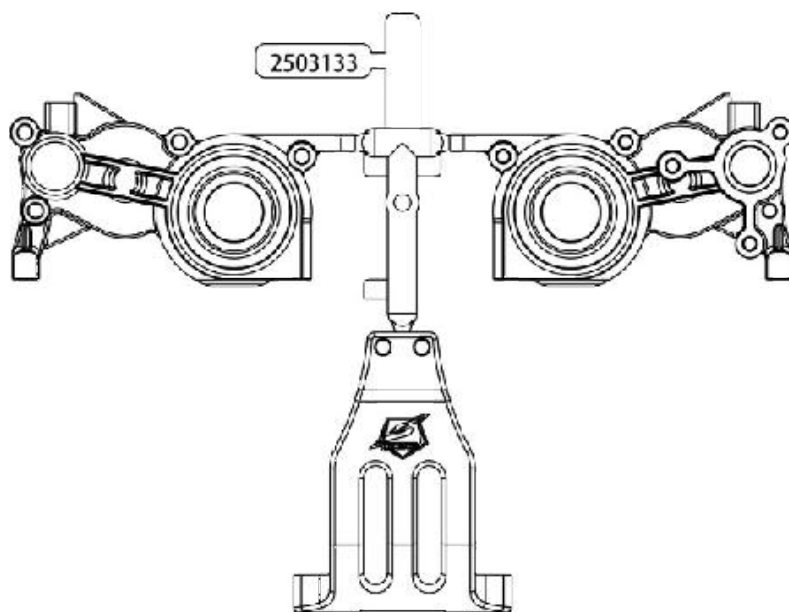
**SW-2502408**  
S12-1 Rear Shock Tower Upper Holder Set *x1*



**SW-2502400**  
*S12-1 Front/Rear Shock Towers and Holders* **x1**



**SW-2502399**  
*S12-1 Bumper and Plastic Parts Set* **x1**



**SW-2503133**  
*S12-1 Middle Front Motor Gear Box* **x1**

## Operation Guide



Assemble front and rear



Assemble in the specified order



Assemble both left and right sides



Assemble for 2 sets



Assemble for 4 sets



overturn



Thread Locking Compound



Grease



Pure Silicone Oil

## Safety Precautions

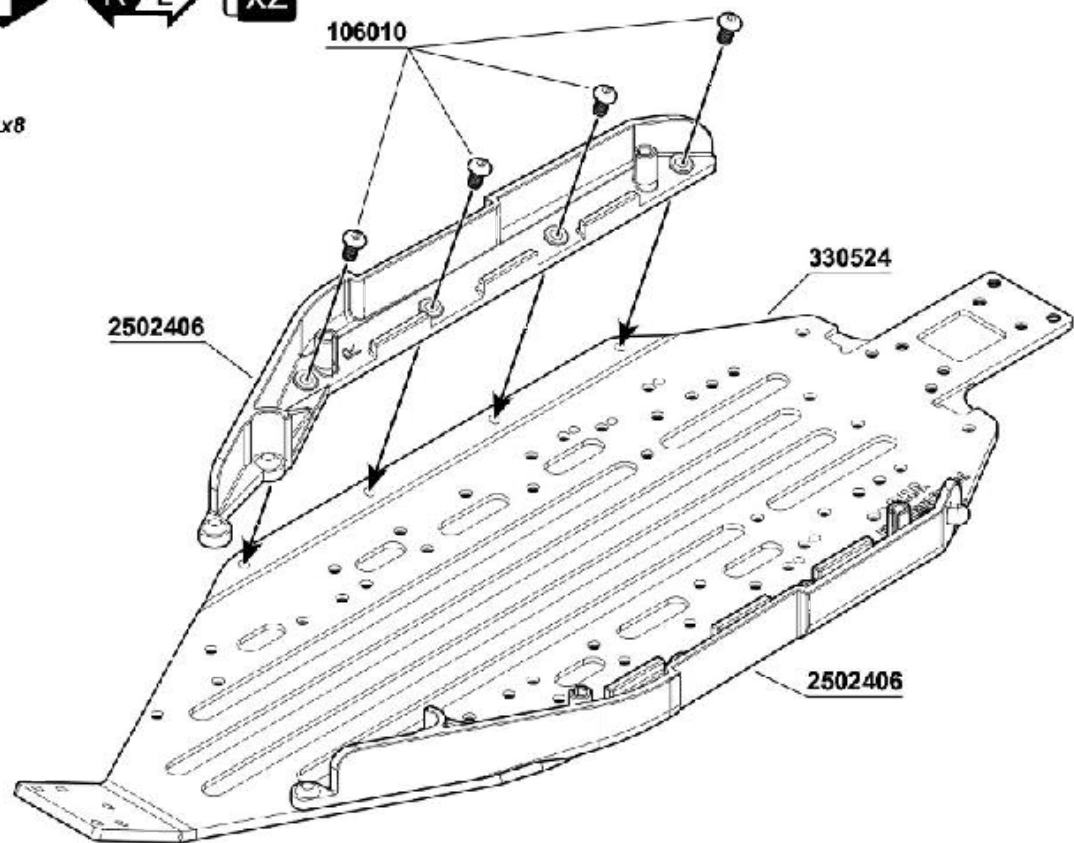
The SWORKz S12-1M is a high performance radio control model which needs to be operated with caution and common sense.

The S12-1M Pro Kit is not intended for children under the age of 14 without adult supervision. SWORKz shall not be held liable for any loss or damages, whether direct, indirect, act of nature, arising from abuse or misuse of this product or any other product required.

- The LiPO Battery can be dangerous if improperly handled.
- Always keep your LiPO Battery in a cool area and never use it near flames, sparks, or while smoking.
- Keep your LiPO Battery, and all other flammables, out of the reach of children.
- After running your car, all parts of the Motor and ESC can become extremely hot. Be careful not to touch these parts.
- This model is controlled by your radio controller and can be vulnerable to interference from many outside sources. This interference can cause a loss of control so it is necessary to operate this model in an open area to avoid personal or property damage. Always ensure turning on your radio first.
- Keep all the products included in the package out of the reach of children.
- This model contains many fast rotating parts. Never touch them during operation.
- Follow the instructions included with your radio gear.
- Never operate your model near people or property. The speed of this model has the potential to injure people and or damage property if misused.
- Always use original SWORKz spare parts and option parts.
- Always ensure that the buggy is in proper working condition before use.
- Always exercise caution when using any tools.



**106010**  
M3x6mm Hex Socket OH/TP Screw x8

**2**

**106010**  
M3x6mm Hex Socket OH/TP Screw x2



**106002**  
M3x10mm Hex Socket OH/TP Screw x2



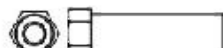
**330331**  
Steering Linkage Ball Stud 5mm x3



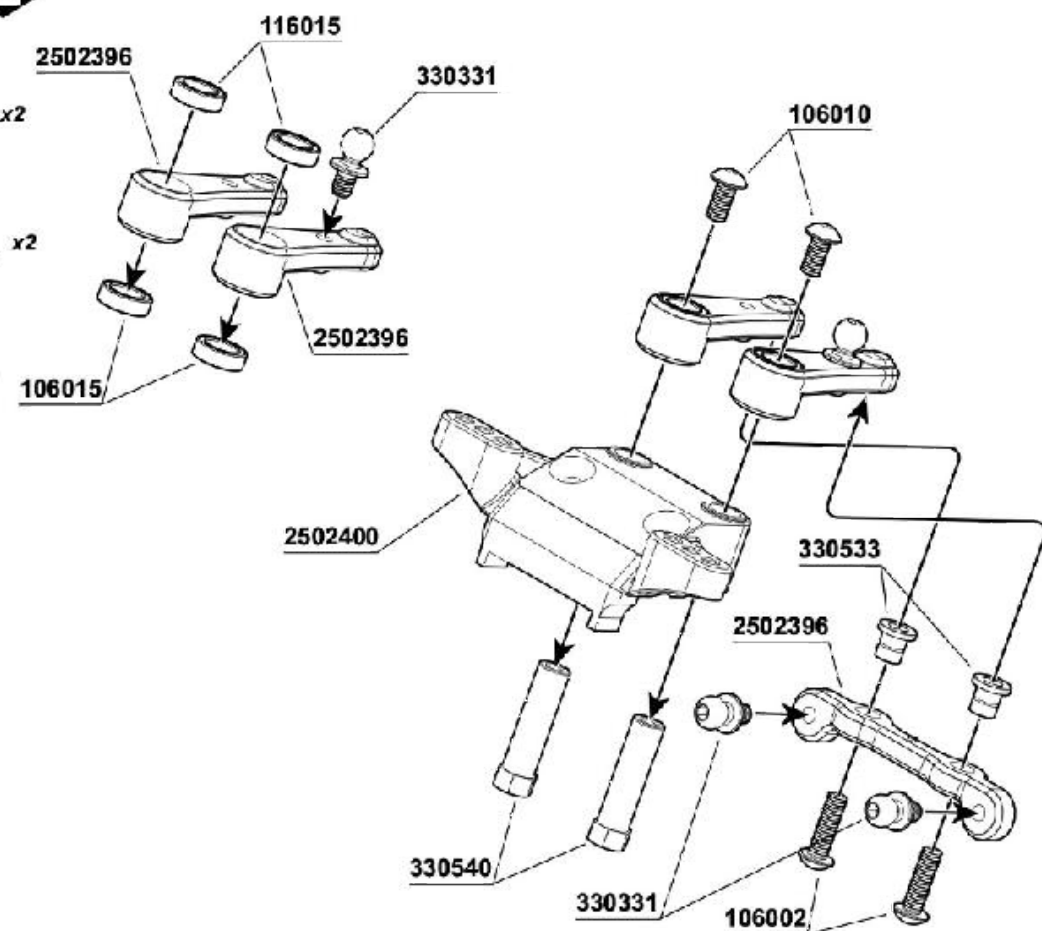
**116015**  
Ball Bearing 5x8x2.5mm x4



**330533**  
Servo Saver Bushing 3x4mm x2

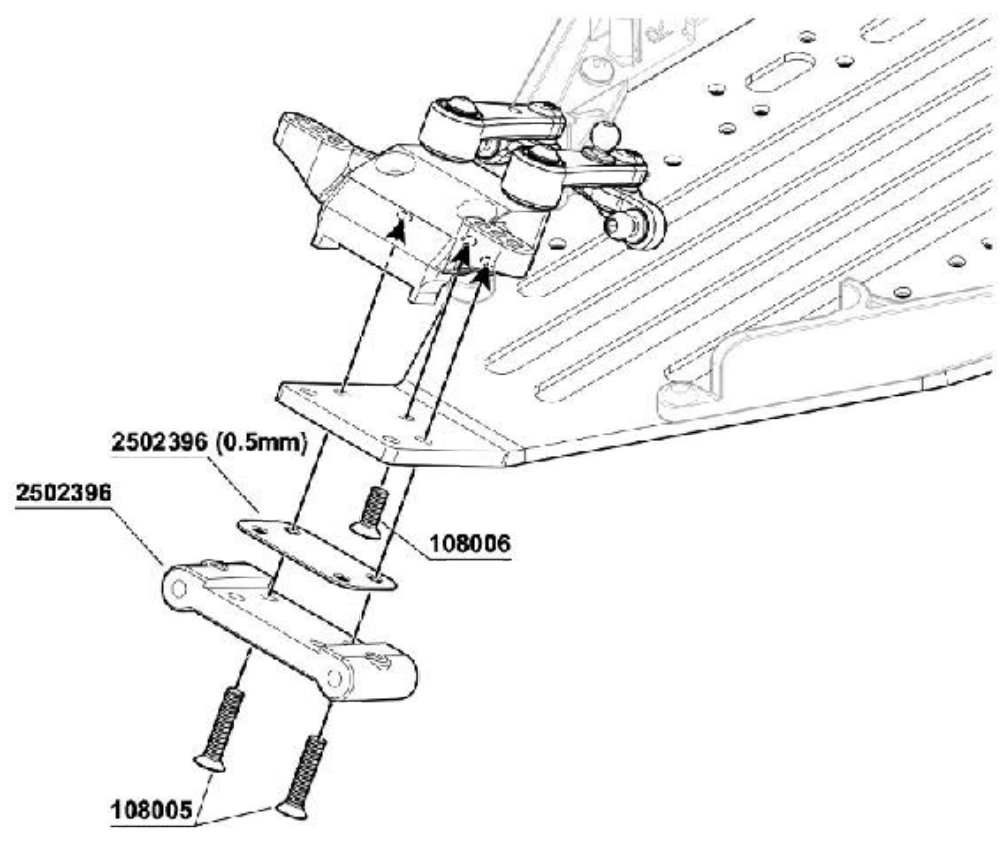


**330540**  
Servo Saver Post x2



-  **108006**  
M3x8mm FH/ST HEX Screw x1

-  **108005**  
M3x14mm FH/ST HEX Screw x2




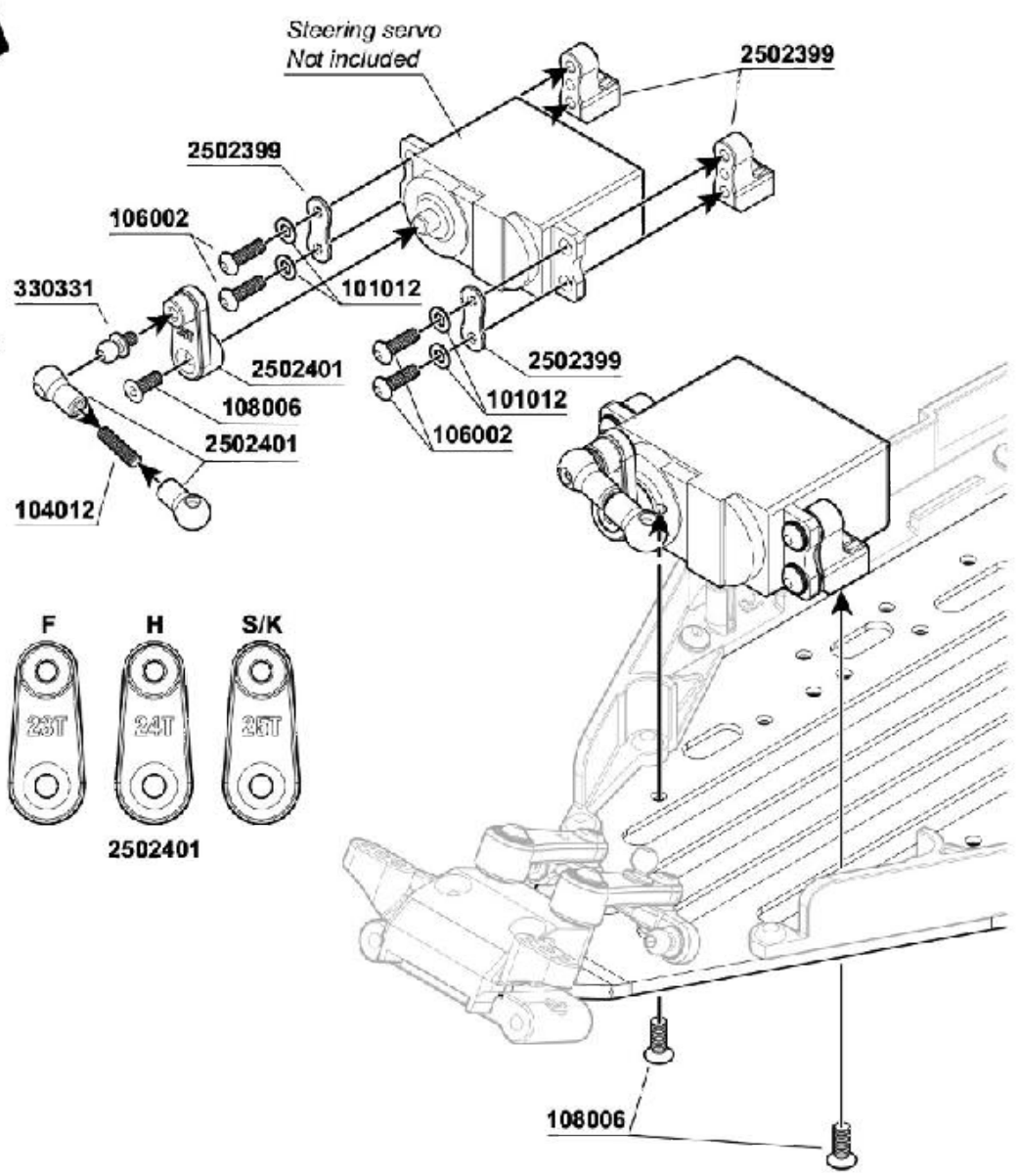
-  **108006**  
M3x8mm FH/ST HEX Screw x3

-  **106002**  
M3x10mm Hex Socket OH/TP Screw x4

-  **104012**  
M3x12mm Sel Screw x1

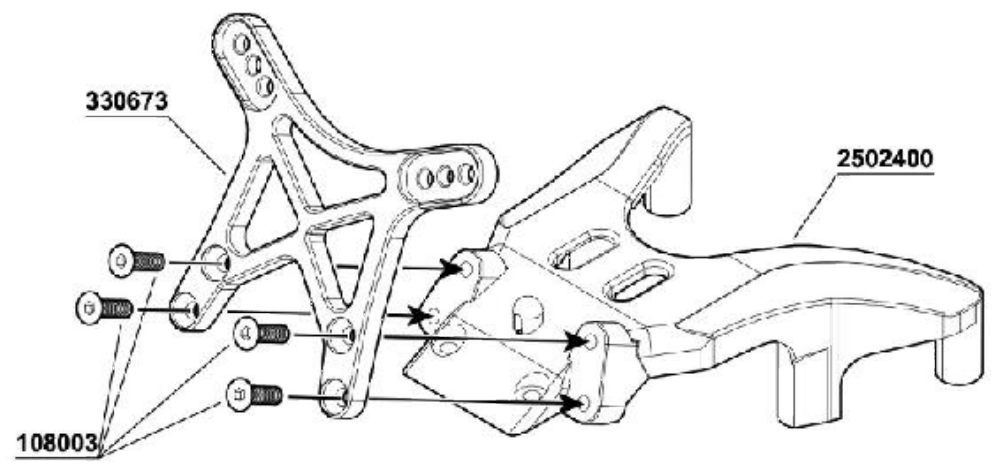
-  **330331**  
Steering Linkage Ball Stud 5mm x1

-  **101012**  
Washer M3x6xT0.5mm x4





**108003**  
M3x10mm FH/ST HEX Screw x4



**108001**  
M3x12mm FH/ST HEX Screw x4



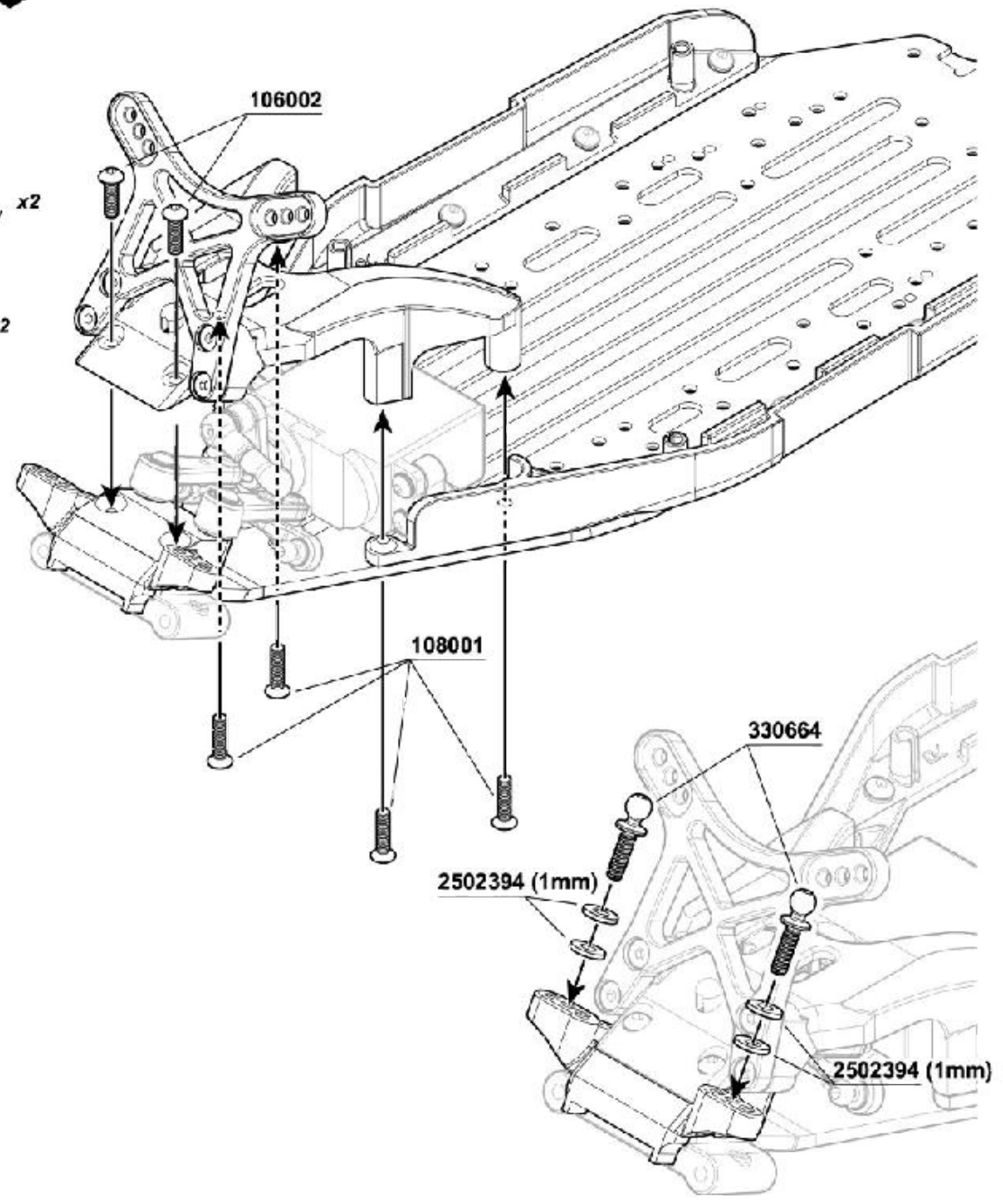
**106002**  
M3x10mm Hex Socket OH/TP Screw x2



**330664**  
Steering Linkage Ball Stud 10mm x2

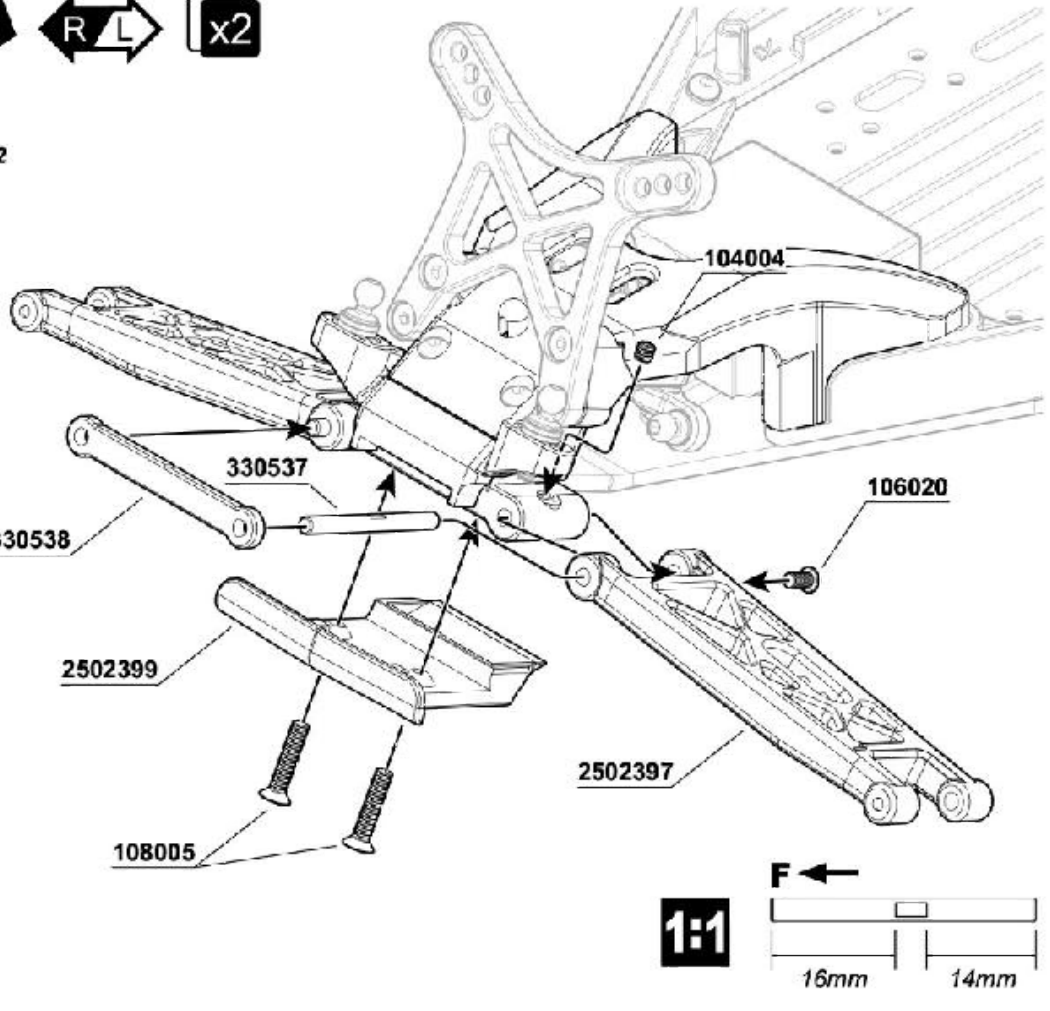


**2502394**  
Insert M3x7xT1mm x4

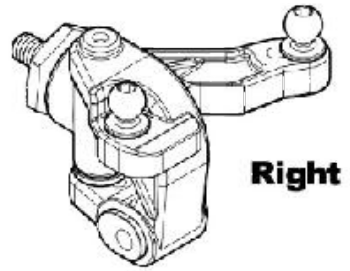
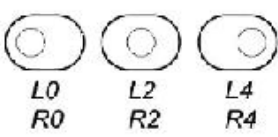




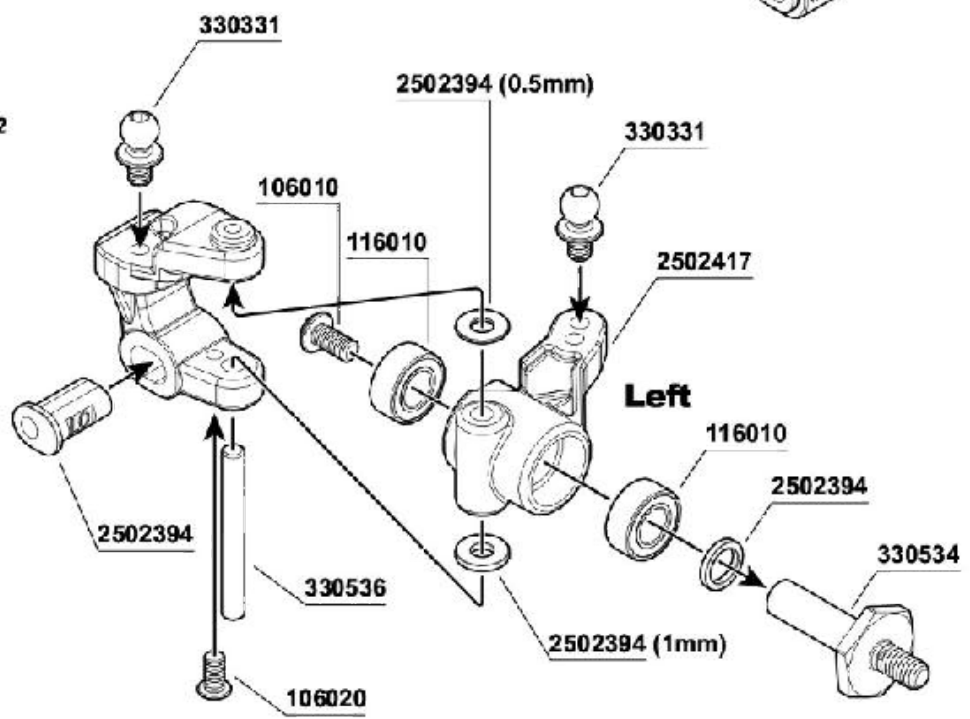
-  **106020**  
M2.5x5mm Hex Socket OH/TP Screw **x2**
-  **108005**  
M3x14mm FH/ST HEX Screw **x2**
-  **104004**  
M3x3mm Set Screw **x2**
-  **330537**  
Rear Hub Carriers Hinge Pin **x2**



-  **330331**  
Steering Linkage Ball Stud 5mm **x4**
-  **106010**  
M3x6mm FH/ST HEX Screw **x2**
-  **106020**  
M2.5x5mm Hex Socket OH/TP Screw **x2**
-  **330536**  
Rear Hub Carriers Hing Pin **x2**





-  **116010**  
Ball Bearing 5x10x4mm **x4**
-  **330534**  
Steering Hub Hinge Pin **x2**



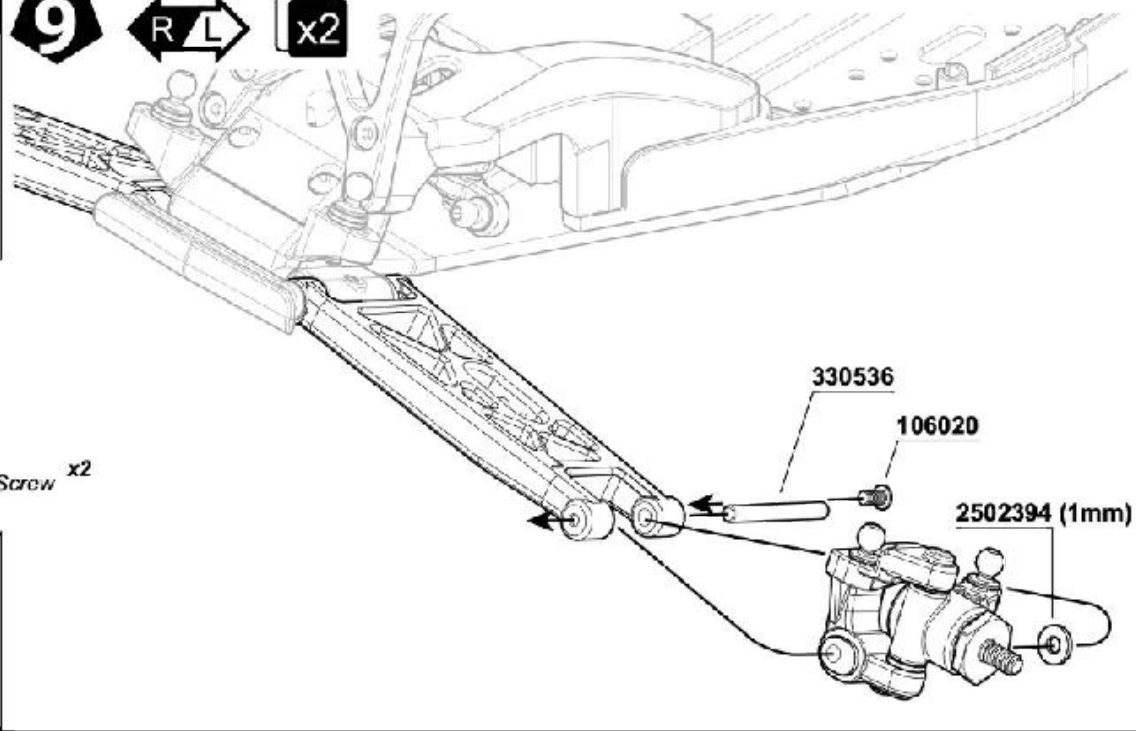
**BAG D**


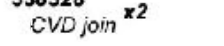

**9** **R L** **x2**

-  **2502394**  
Insert M3x7xT1mm x2


-  **330536**  
Rear Hub Carriers Hing Pin x2


-  **106020**  
M2.5x5mm Hex Socket OH/TP Screw x2



-  **330528**  
CVD join x2
-  **330283**  
Pin M2x10mm x2
-  **330285**  
Pin M2x14mm x2

-  **330331**  
Steering Linkage Ball Stud 5mm x2

-  **330294**  
CVD Axle x2

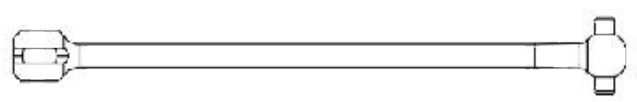
-  **400014**  
O-Ring 1.5x13.5mm x2

-  **116017**  
Ball Bearing 6x12x4mm x2

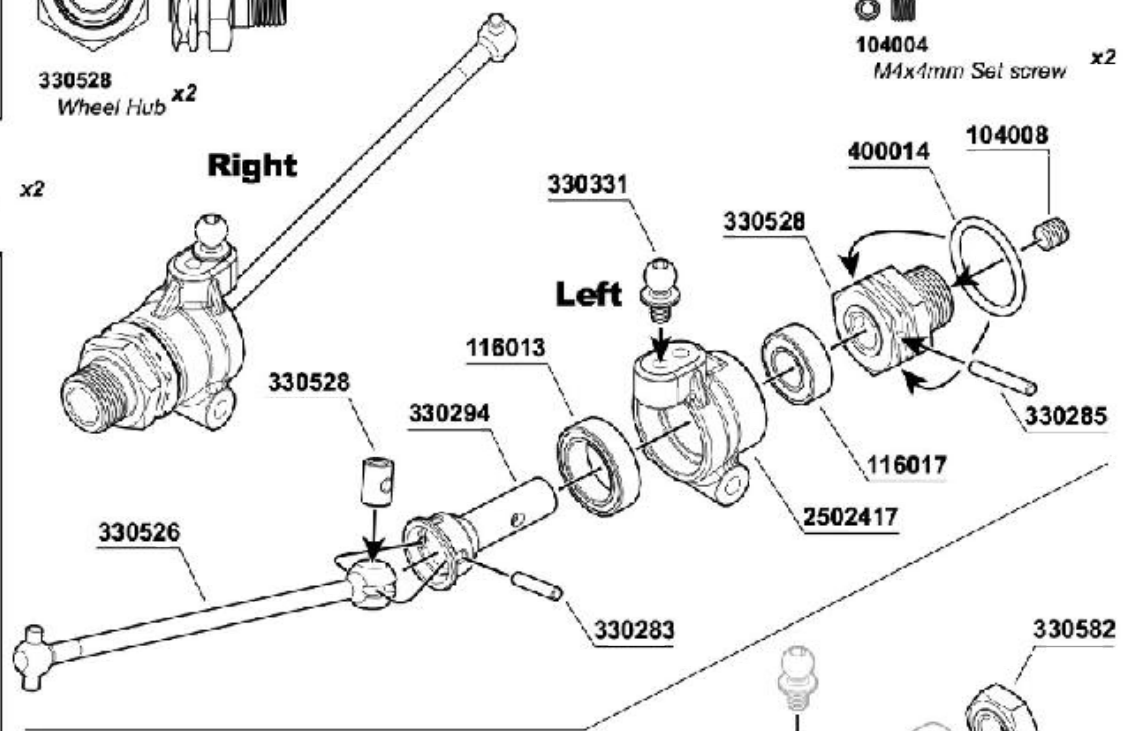
-  **116013**  
Ball Bearing 10x15x4mm x2

**10** **R L** **x2**

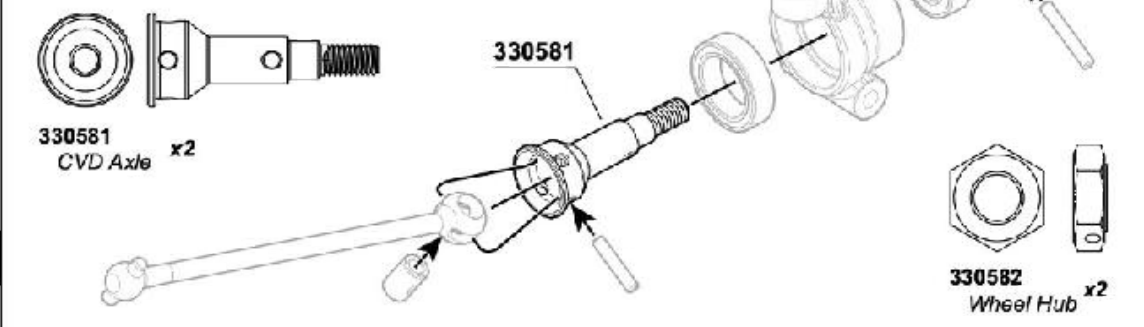
-  **330528**  
Wheel Hub x2



-  **104004**  
M4x1mm Set screw x2



For 12mm Hex Wheels Using.



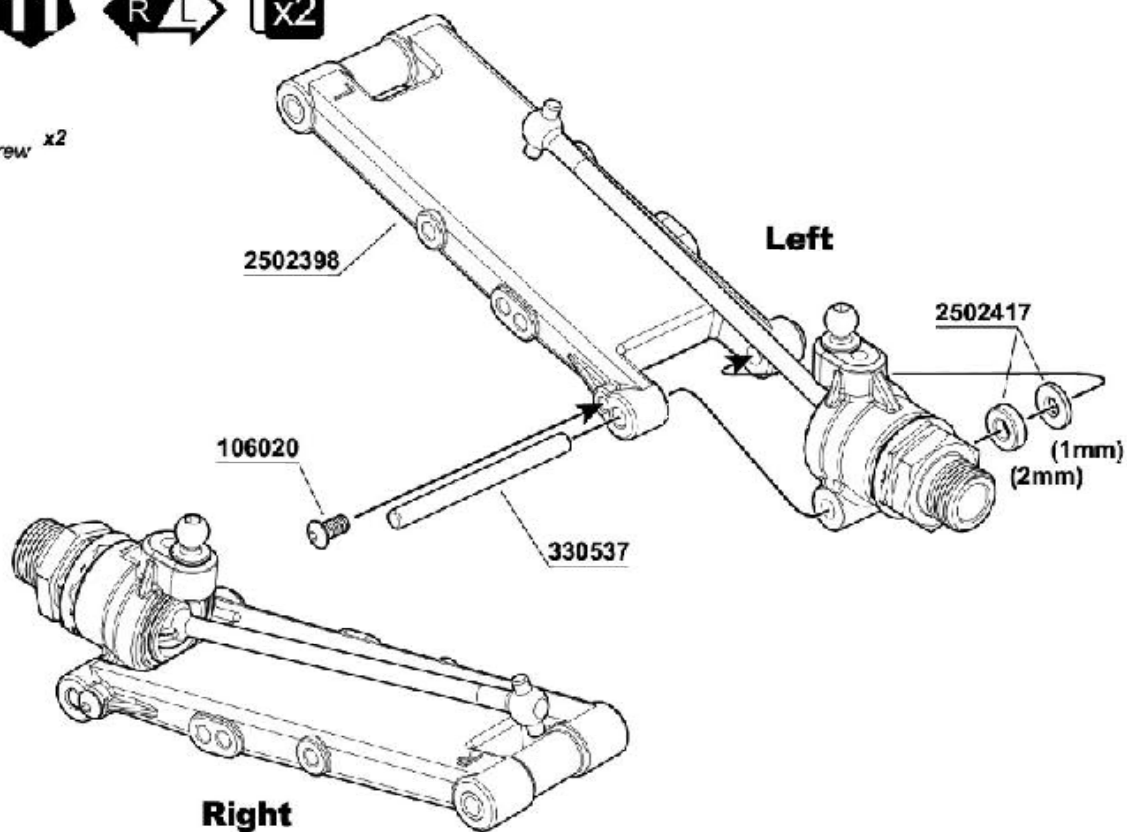
**BAG F**



**106020**  
M2.5x5mm Hex Socket OH/TP Screw **x2**



**330537**  
Rear Hub Carriers Hinge Pin **x2**



**106002**  
M3x10mm Hex Socket OH/TP Screw **x4**



**106008**  
M3x12mm Hex Socket OH/TP Screw **x4**



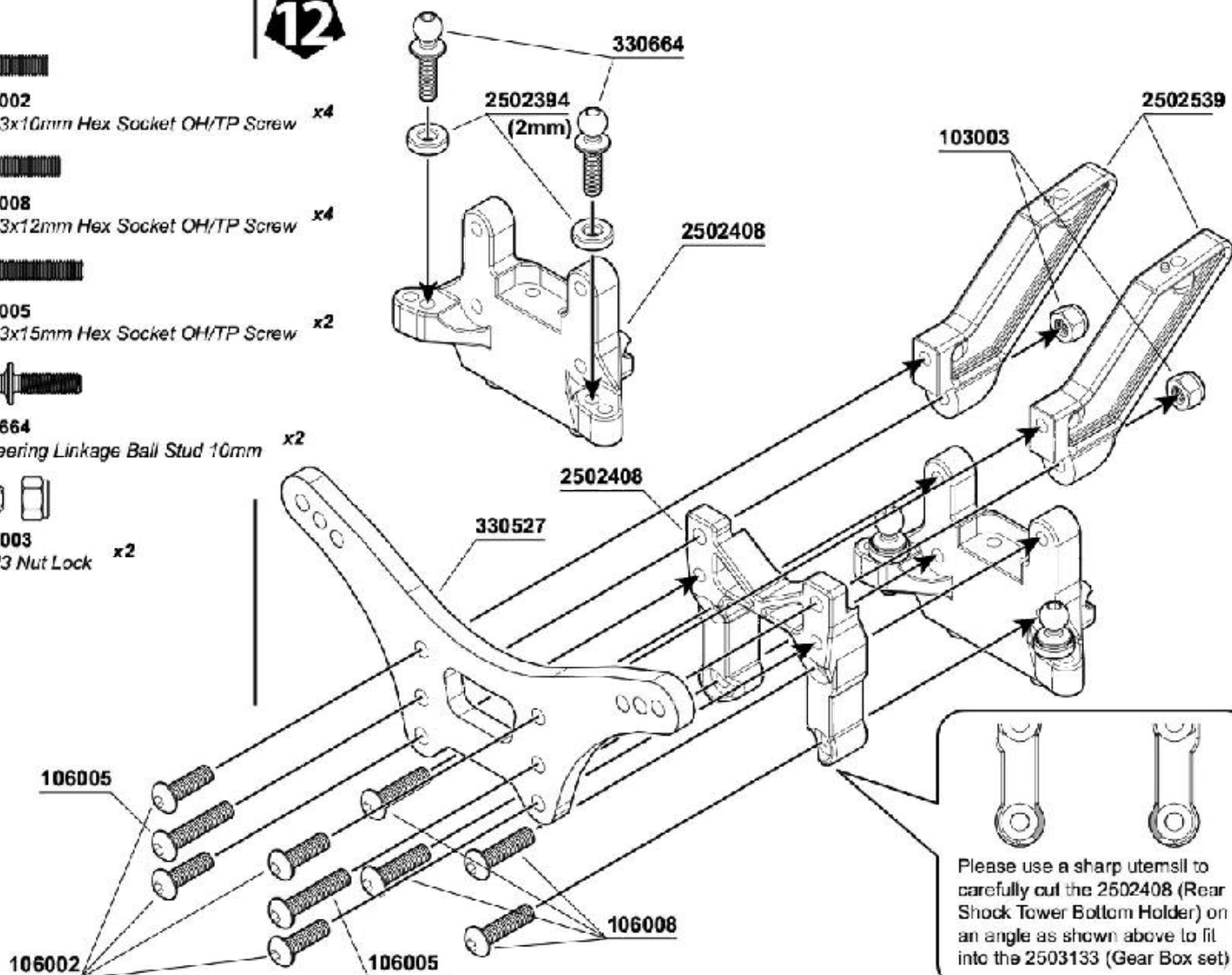
**106005**  
M3x15mm Hex Socket OH/TP Screw **x2**



**330664**  
Steering Linkage Ball Stud 10mm **x2**



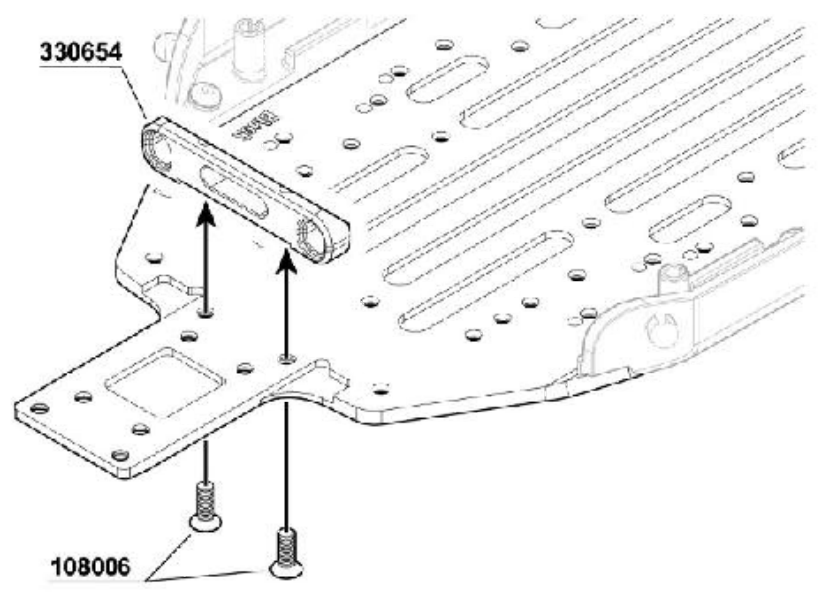
**103003**  
M3 Nut Lock **x2**



Please use a sharp utensil to carefully cut the 2502408 (Rear Shock Tower Bottom Holder) on an angle as shown above to fit into the 2503133 (Gear Box set)



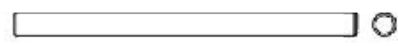
**108006**  
M3x8mm FH/ST HEX Screw x4



**2502401**  
Arm Hinge Pin Insert x4

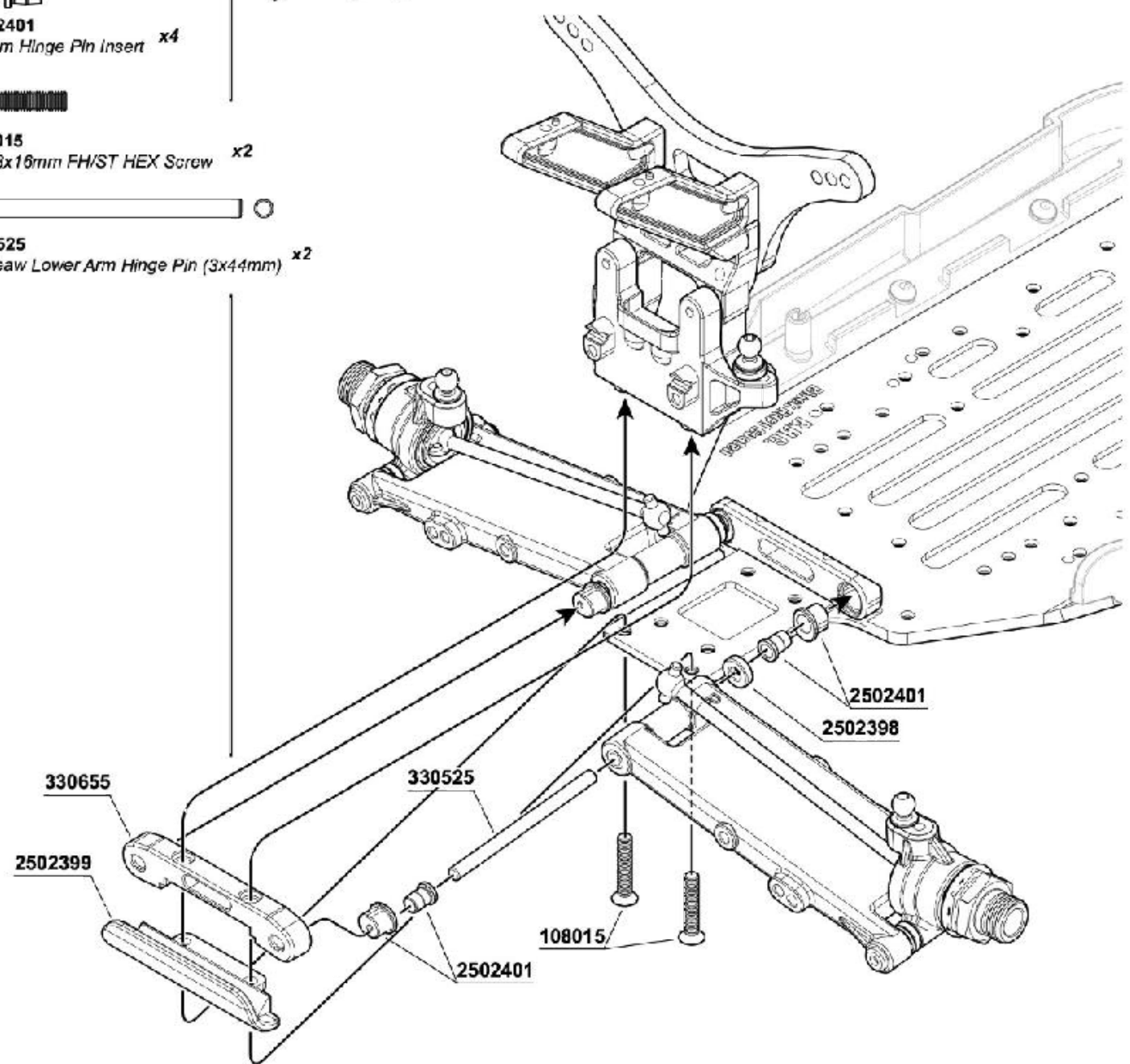





**108015**  
M3x16mm FH/ST HEX Screw x2

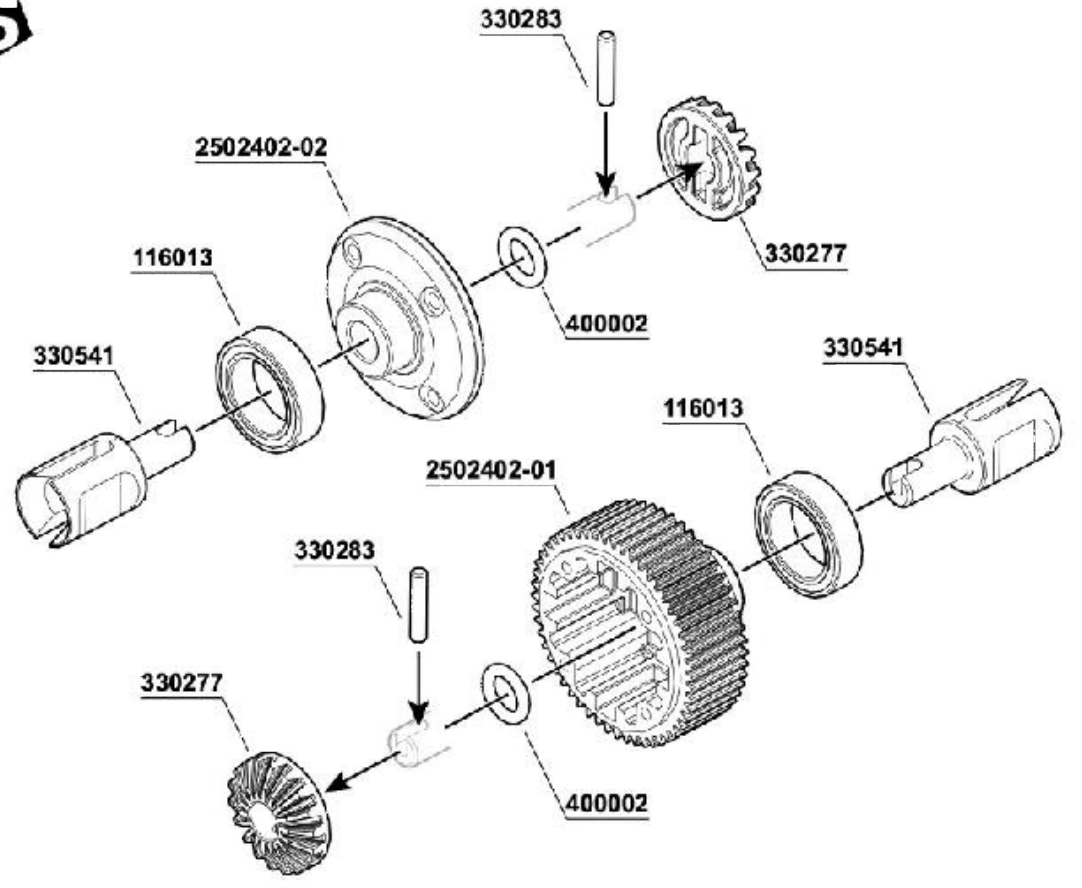


**330525**  
Rear Lower Arm Hinge Pin (3x44mm) x2

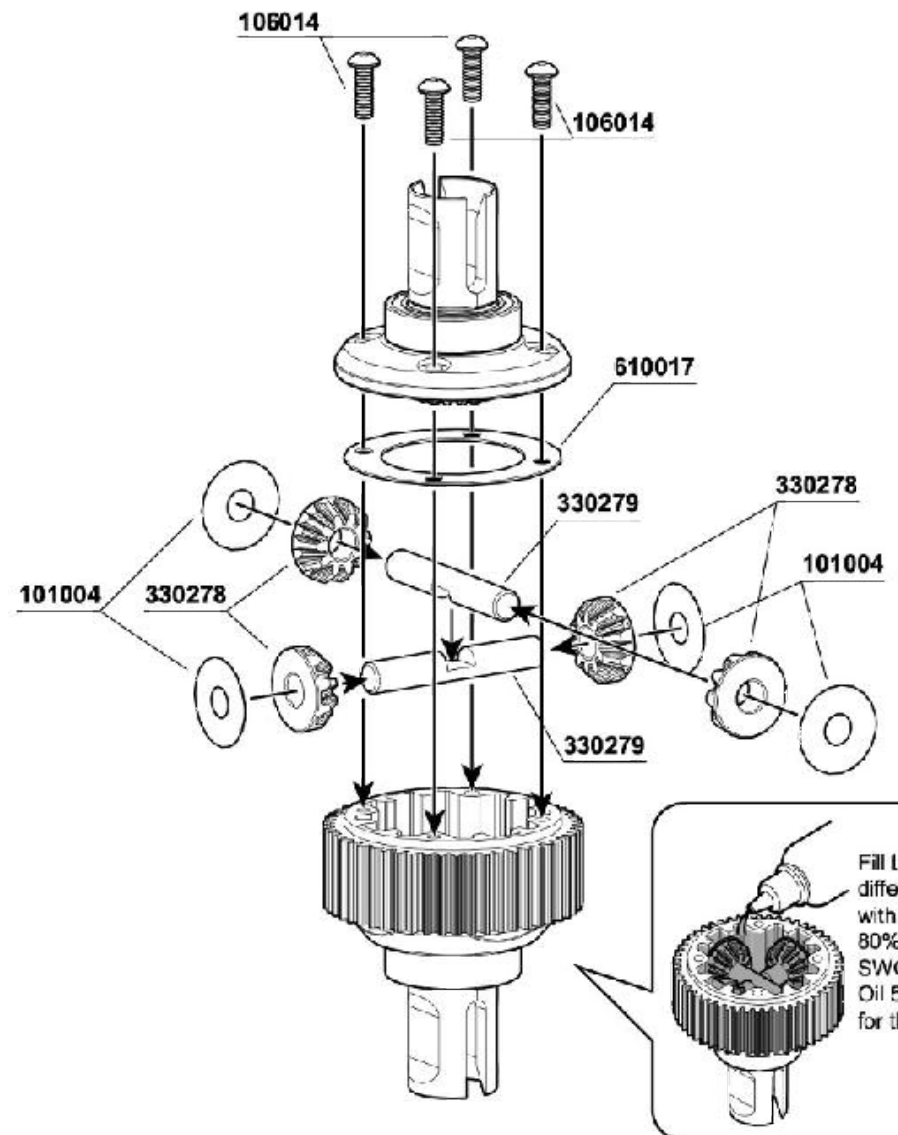
**14** **L R** **x2 For Rear**



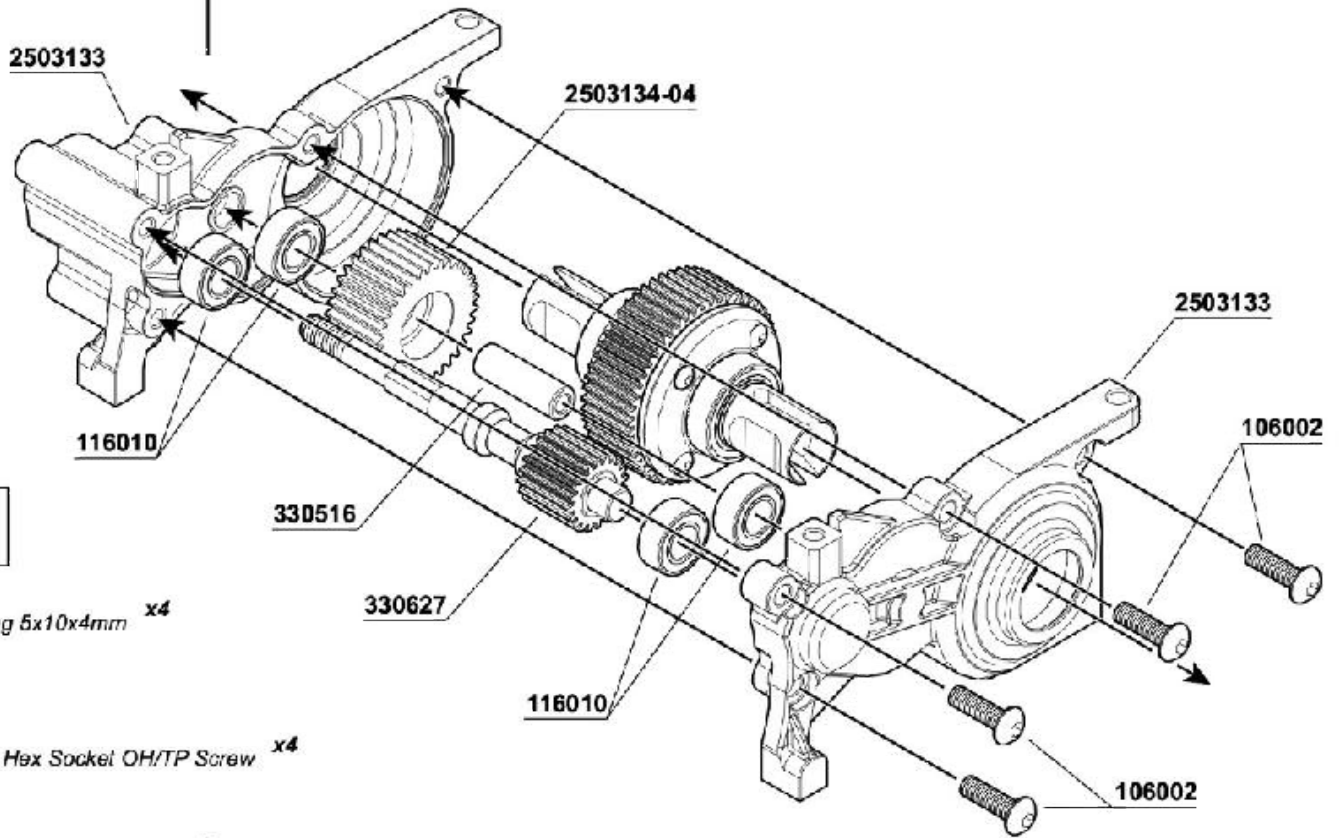
-  **330283**  
Pin M2x10mm x2
-  **400002**  
O-ring S5 4.8x1.5 x2
-  **116013**  
Ball Bearing 10x15x4mm x2



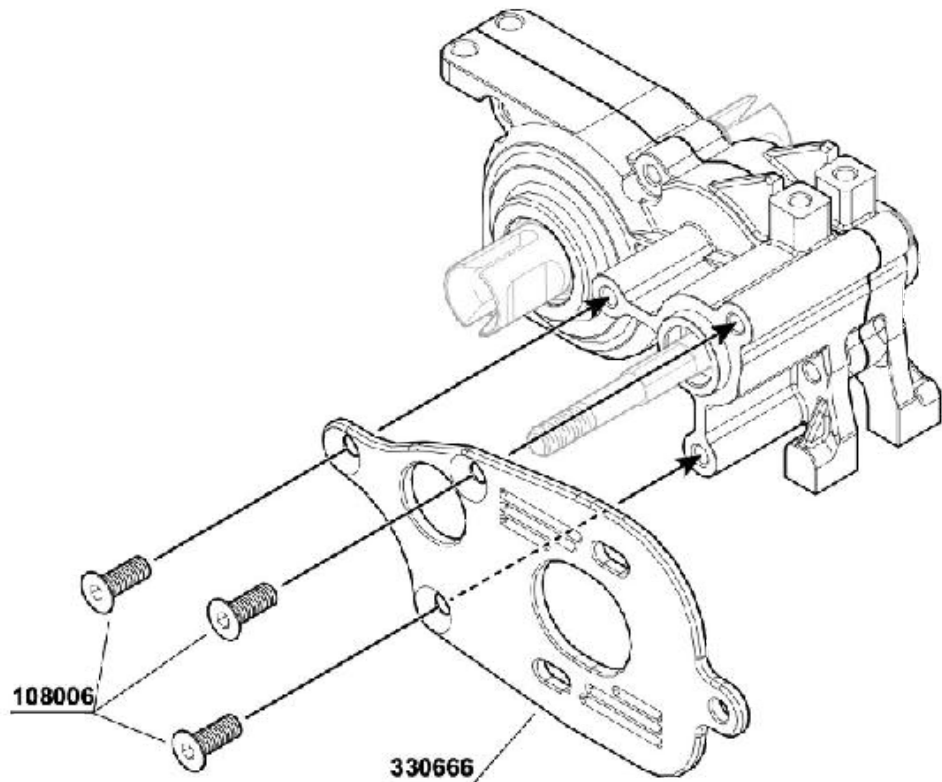
-  **106014**  
M2x6mm Hex Socket CH/TP Screw x4
-  **330279**  
Bevel Gear Shaft x2
-  **101004**  
Shim 3.5x10x0.2mm x4



Fill the differentials with oil up to 80% full. Use SWORKz diff. Oil 5000 cps for the Diff.



108006  
M3x8mm FH/ST HEX Screw x3



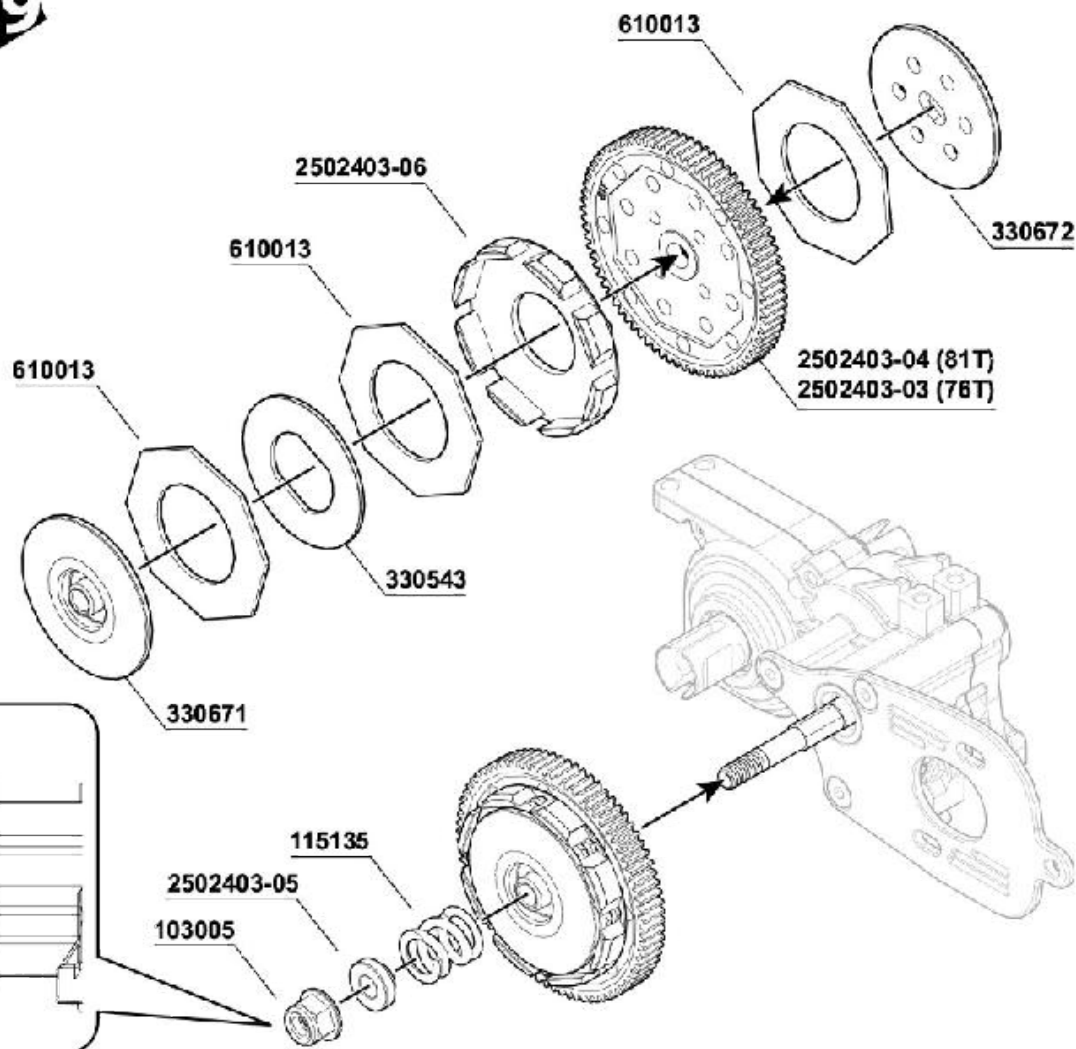




**103005**  
Flange M3 Nut Lock *x1*



**115135**  
Slipped clutch Spring *x1*



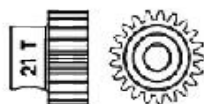
**104004**  
M3x3mm Set Screw *x1*



**106001**  
M3x8mm Hex Socket CH/TP Screw *x2*

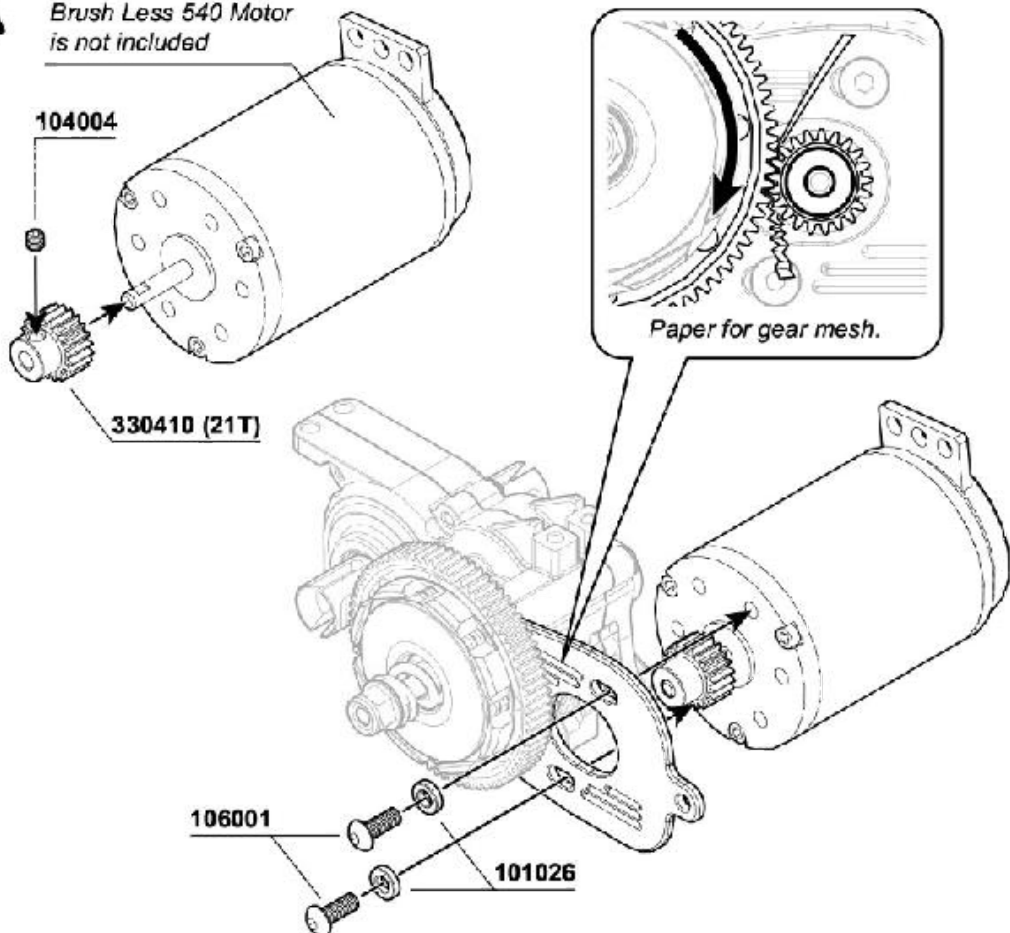


**101026**  
Washer M3x6xT1.5mm *x2*



**330410**  
S12-1 Motor Gear 21T *x1*

Brush Less 540 Motor  
is not included

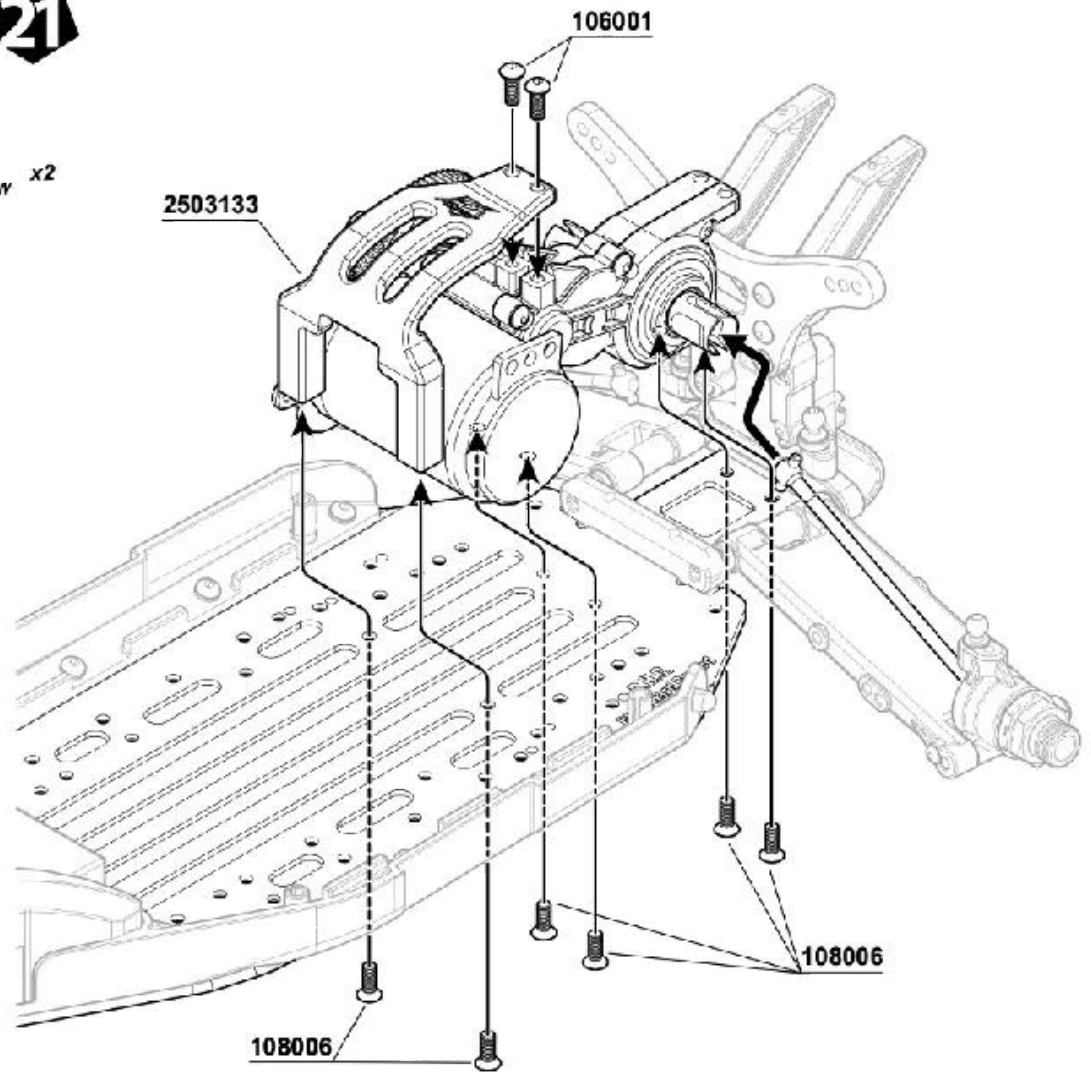




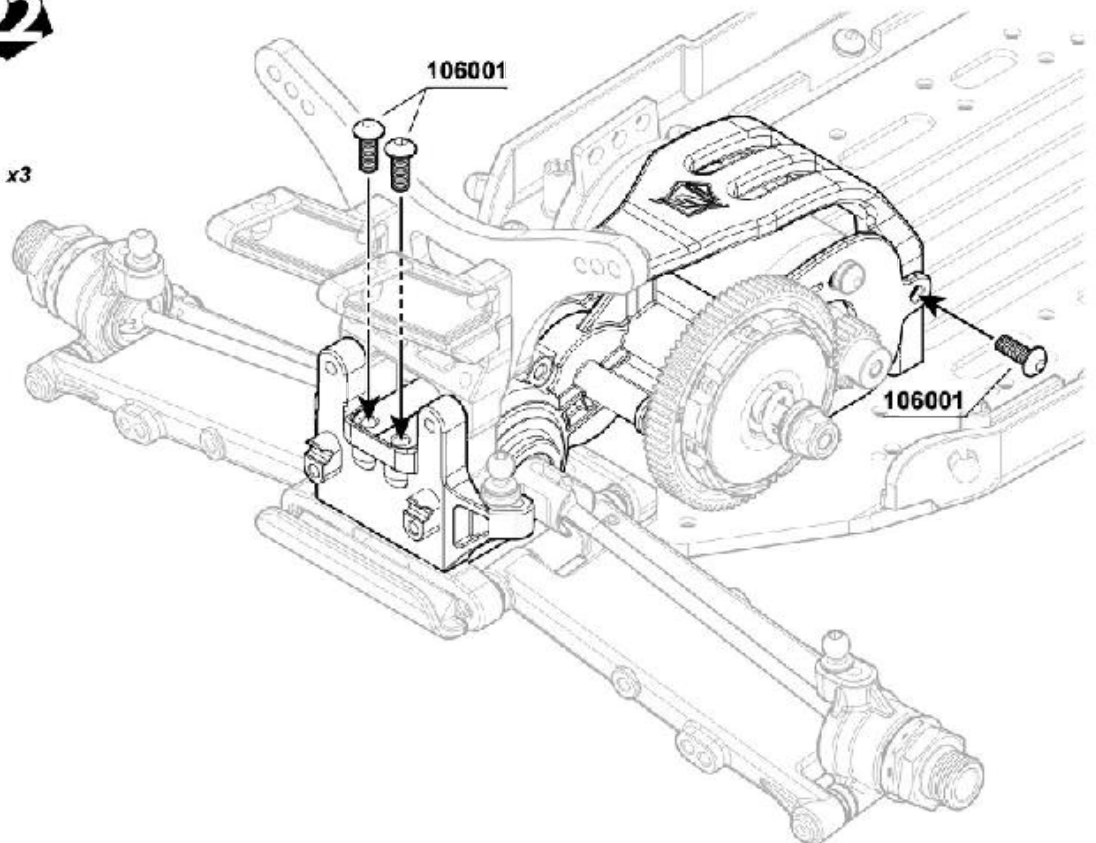
**106001**  
M3x8mm Hex Socket OH/TP Screw x2



**108006**  
M3x8mm FH/ST HEX Screw x6



**106001**  
M3x8mm Hex Socket OH/TP Screw x3



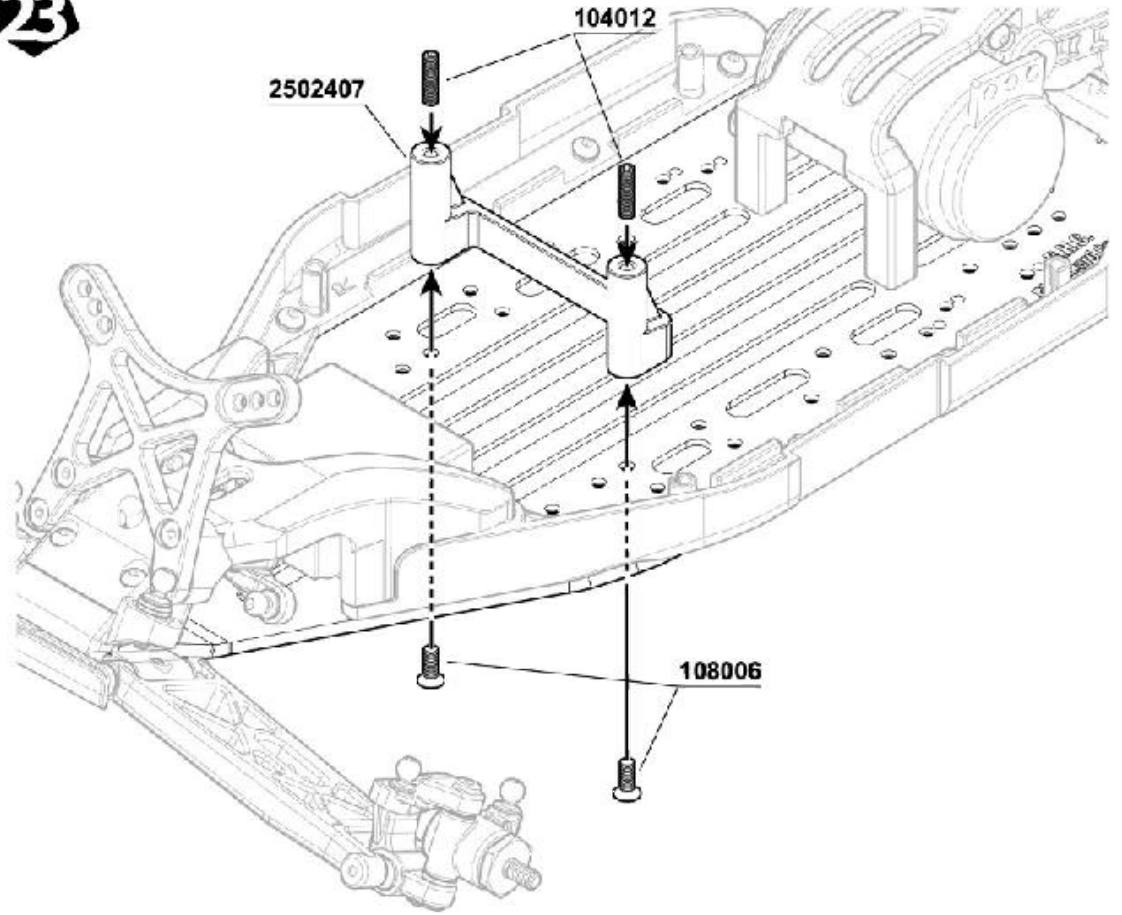




**108006**  
M3x9mm FH/ST HEX Screw x2

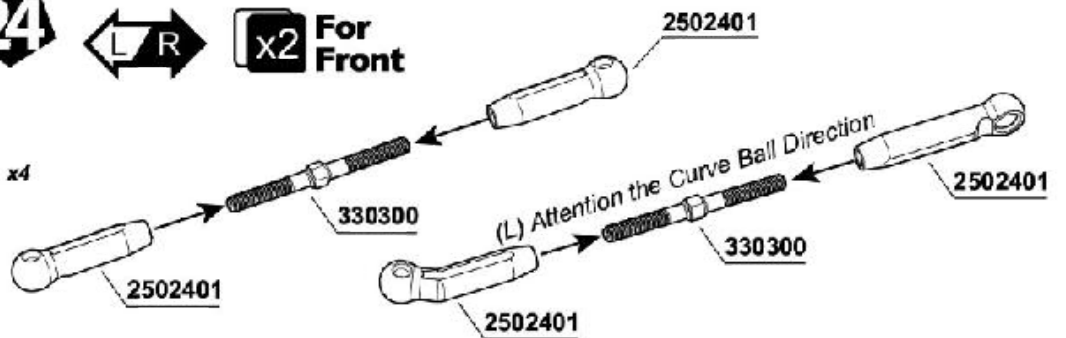


**104012**  
M3x12mm Set Screw x2

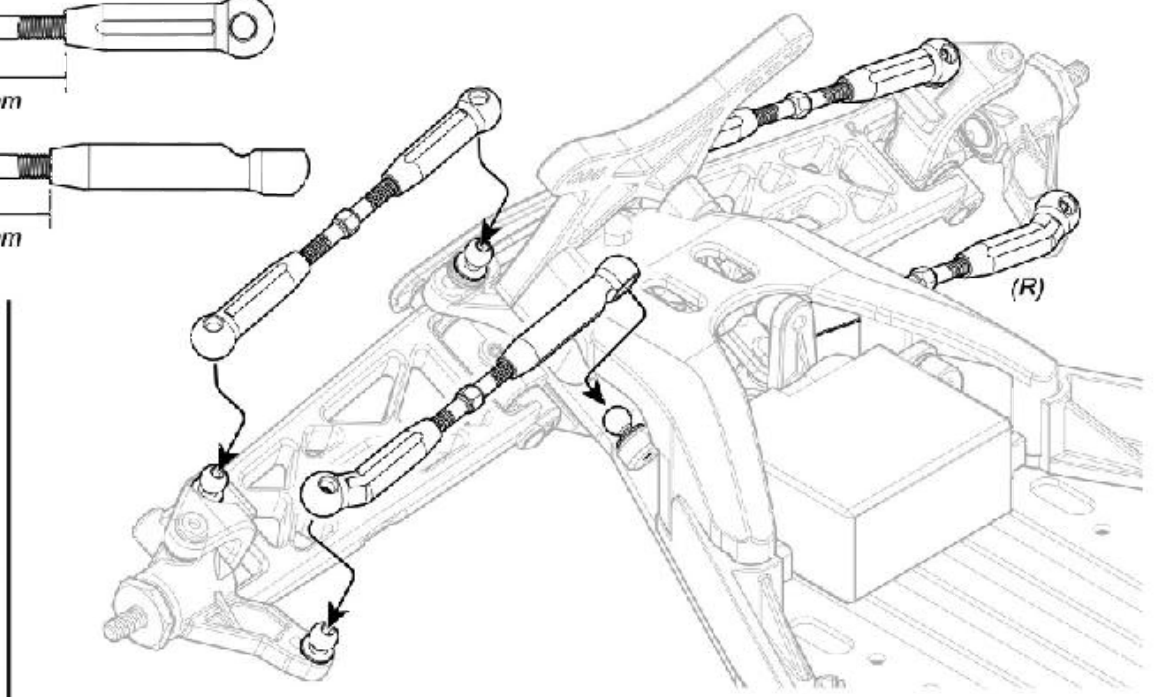
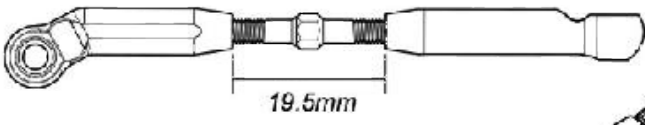
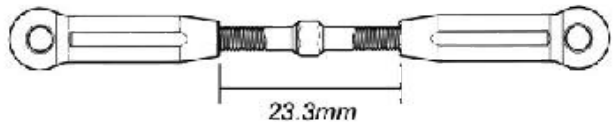


**x2 For Front**

**330300**  
Rear Upper Sus. Arm Tumbuckles x4



**1:1**

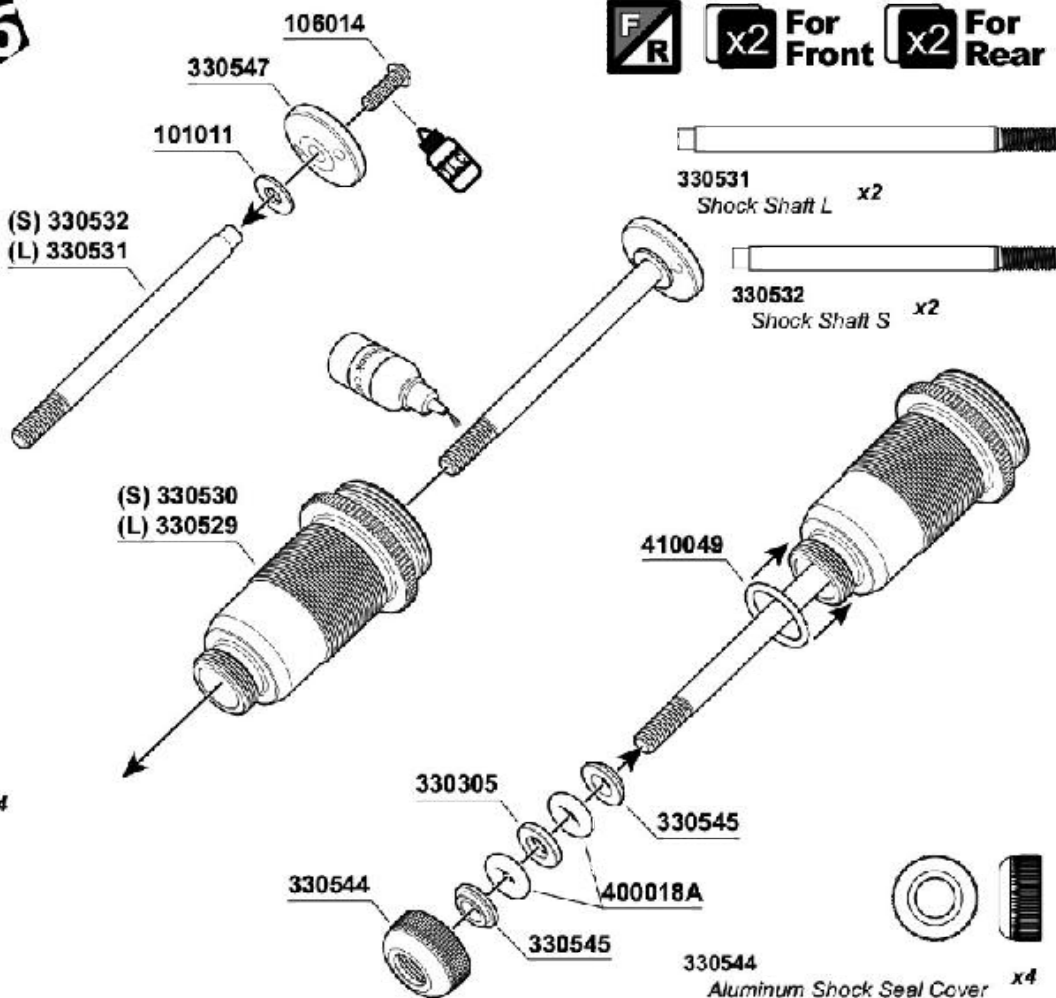


**BAG D****25****x2 For Rear****330300**  
Rear Upper Sus. Arm Turnbuckles

x2

**1:1**

19mm

**BAG E****26****x2 For Front x2 For Rear****106014**  
M2x6mm Hex Scket OH/TP Screw x4**330545**  
Shock Washer 3.3x6.5x2.5mm x8**101011**  
Shock Washer 2.6x6x0.5mm x4**330305**  
Shock Washer 3.3x6.7x1mm x4**400018A**  
Shock Seal O-ring 3x6.6mm x8**410049**  
Shock Seal Cap O-ring 8x10x1mm x4**330547**  
Shock Piston 1.5mmx2 holes x4**330531**  
Shock Shaft L x2**330532**  
Shock Shaft S x2

410049

330305

330545

330544

400018A

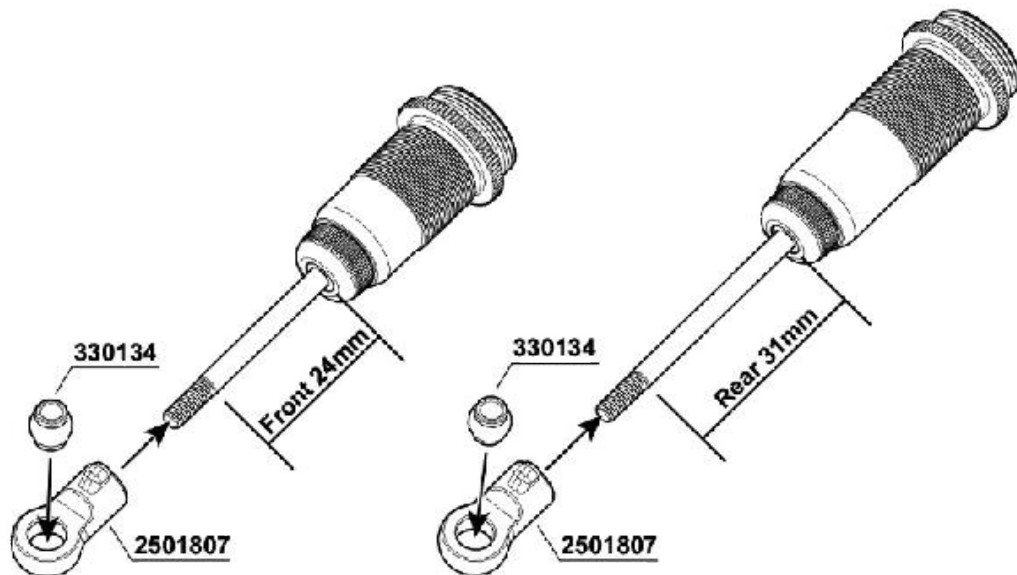
330545

330544

Aluminum Shock Seal Cover x4



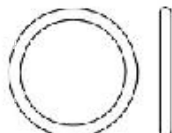
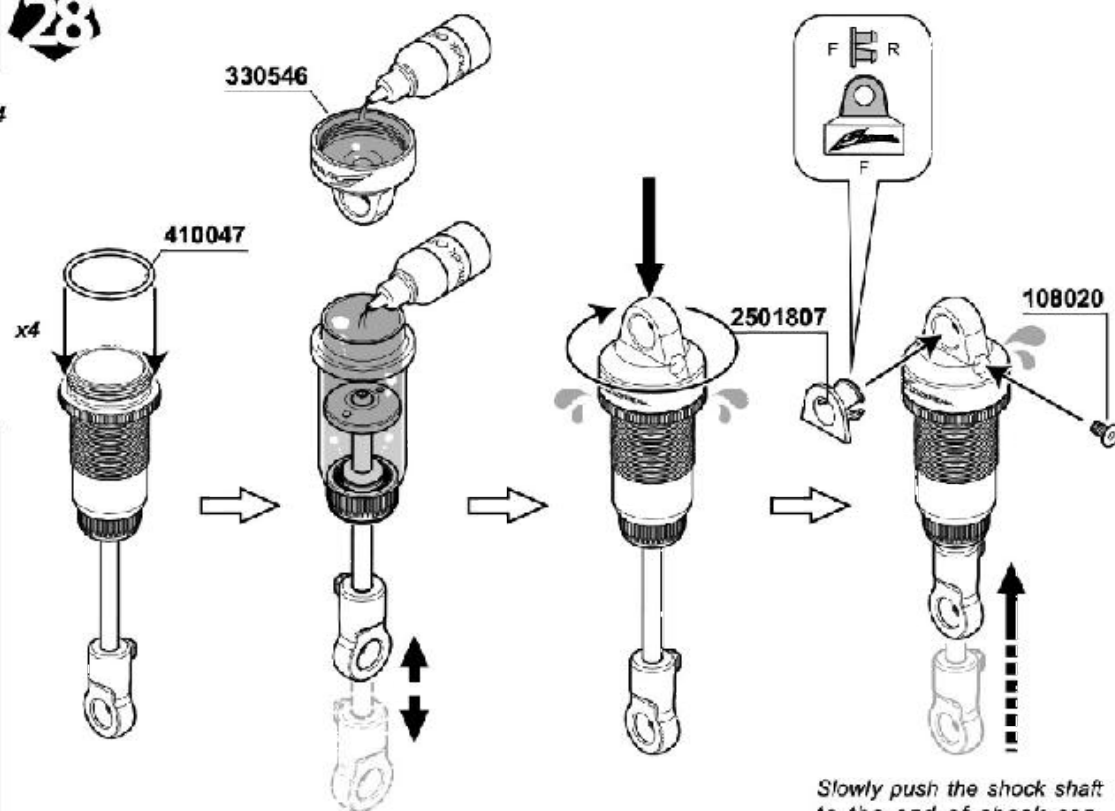
**330134**  
Shock Ball Stud x4



**108020**  
M2x4mm FH/ST HEX Screw x4



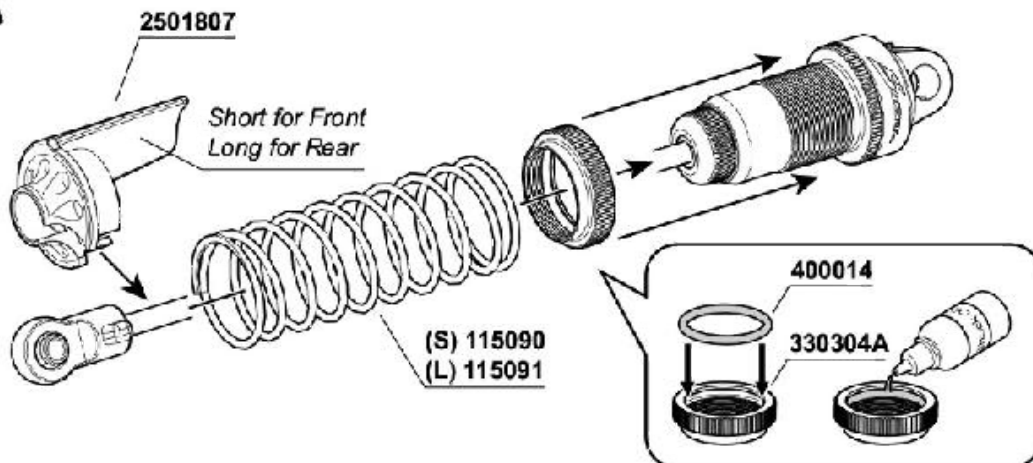
**410047**  
S102 Shock Cap O-Ring (SP) x4



**400014**  
O-Ring 1.5x13.5mm x4



**330304A**  
Aluminum Shock Spring Adjust Nut x4



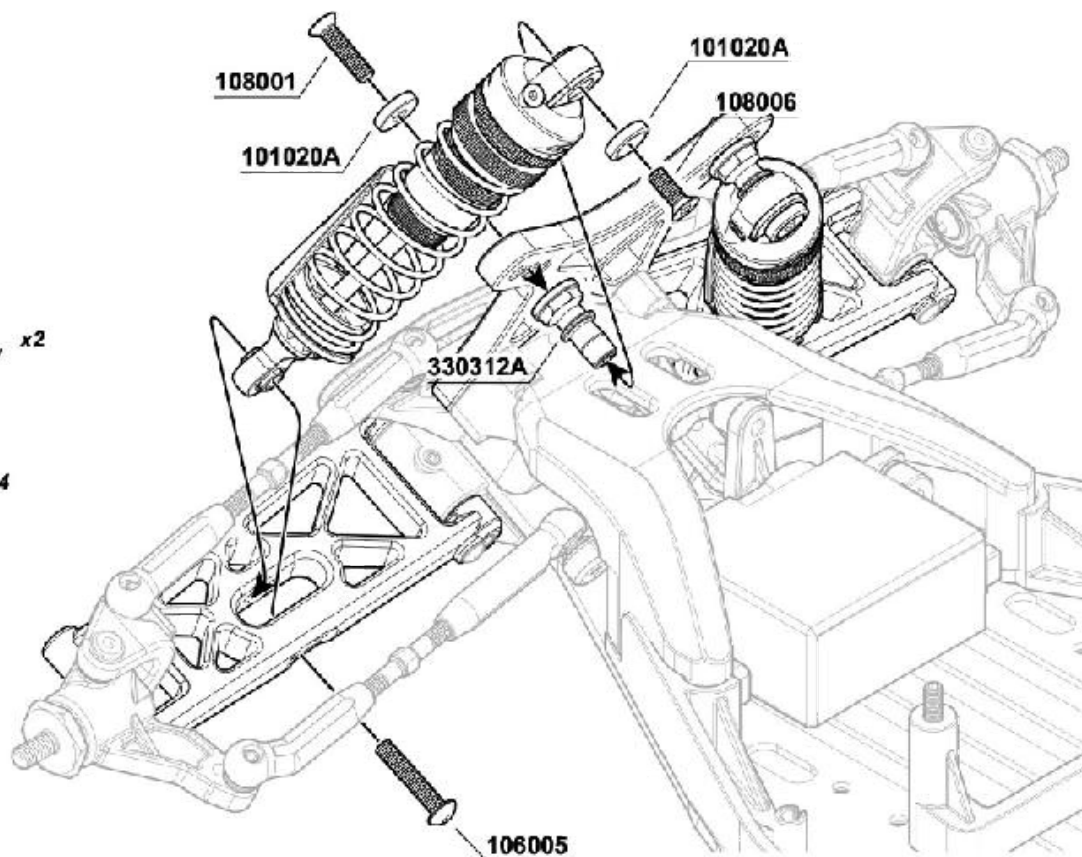
 **108006**  
M3x8mm FH/ST HEX Screw x2

 **108001**  
M3x12mm FH/ST HEX Screw x2

 **106005**  
M3x15mm Hex Socket OH/TP Screw x2

 **101020A**  
3mm Countersunk Washers (RD) x4

 **330312A**  
Aluminum Shock Cap Stud x2



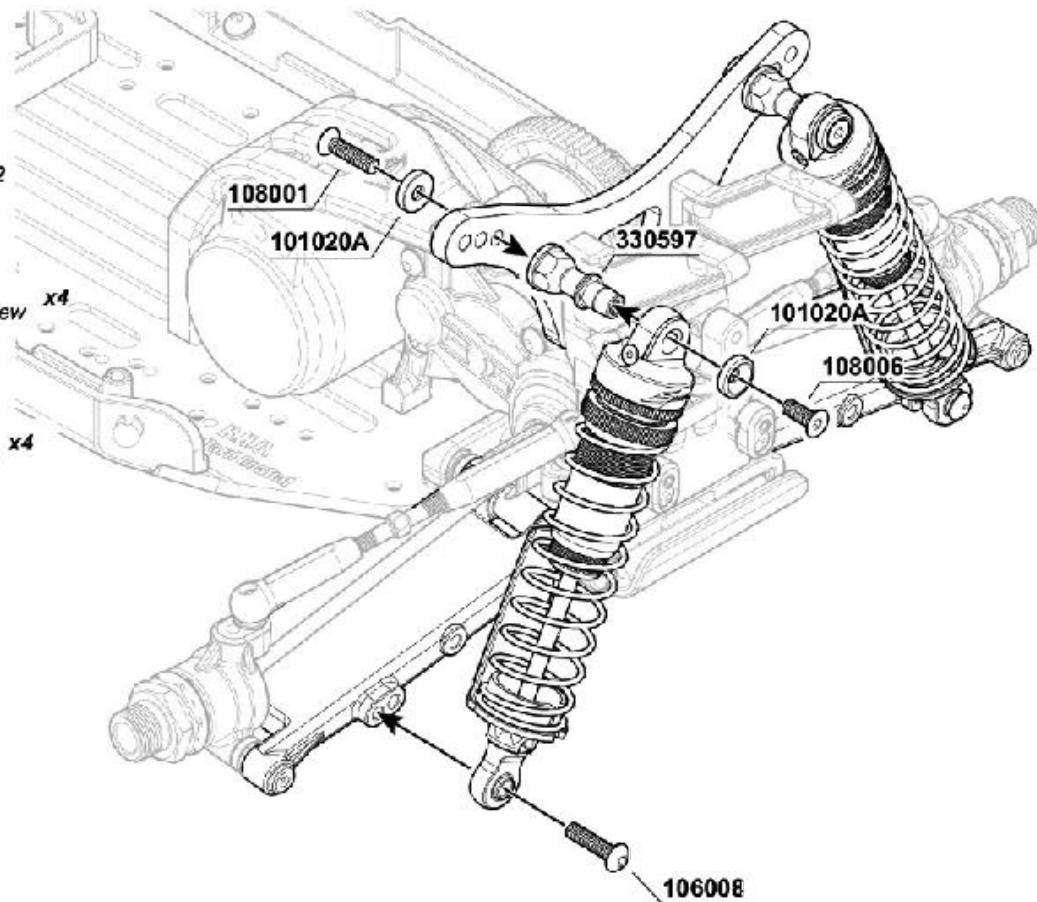
 **108006**  
M3x8mm FH/ST HEX Screw x2

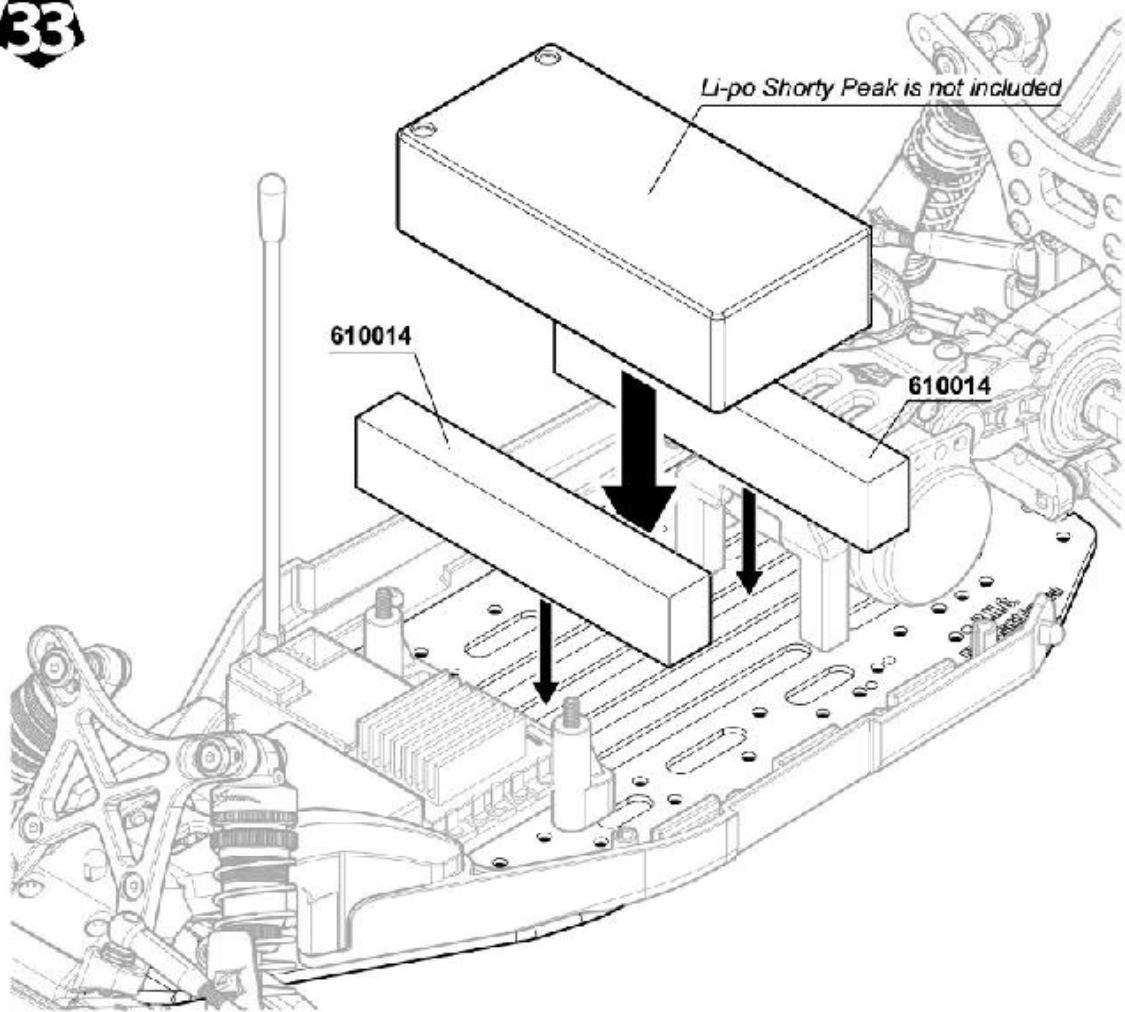
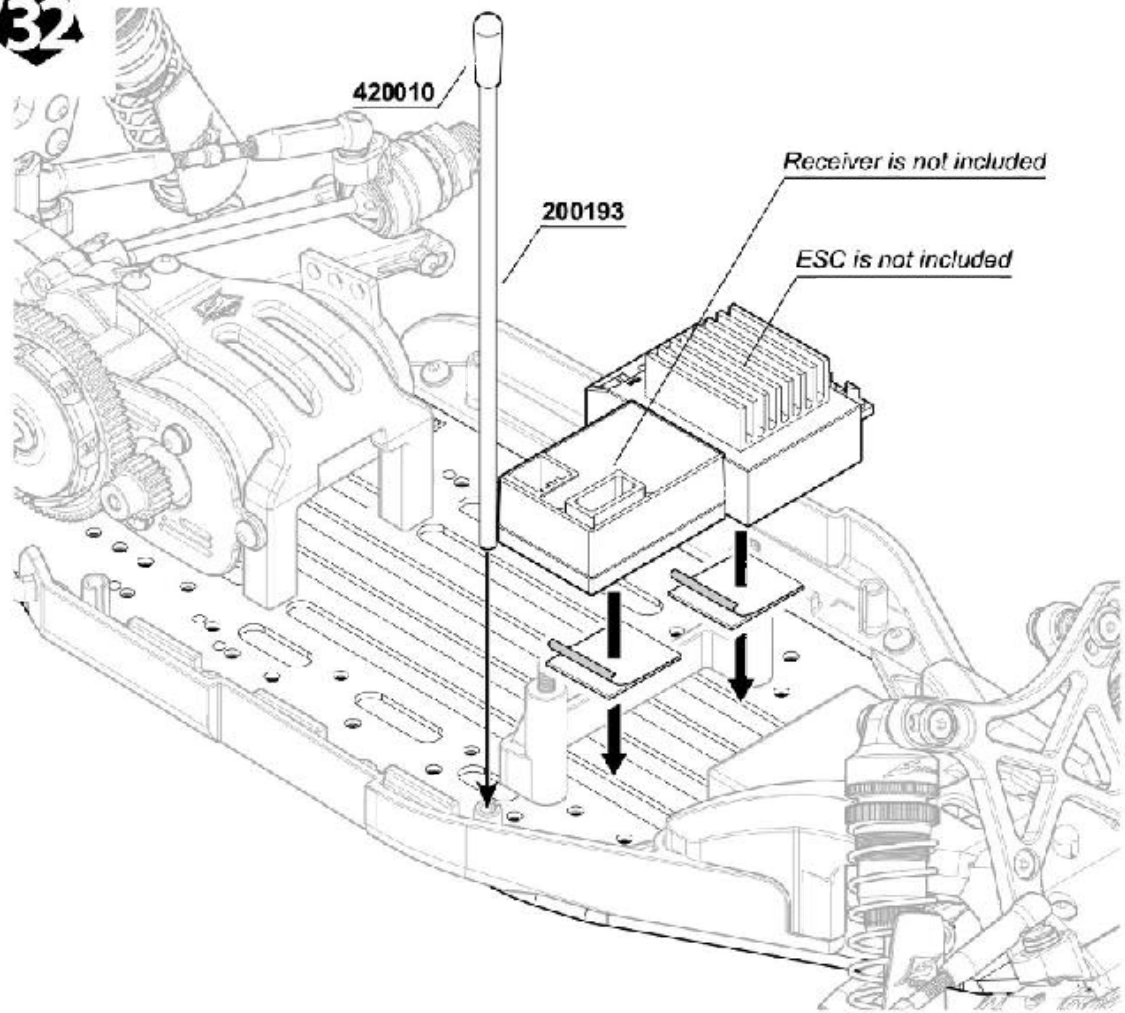
 **108001**  
M3x12mm FH/ST HEX Screw x2

 **106008**  
M3x12mm Hex Socket OH/TP Screw x4

 **101020A**  
3mm Countersunk Washers (RD) x4

 **330597**  
Aluminum Shock Cap Stud x2

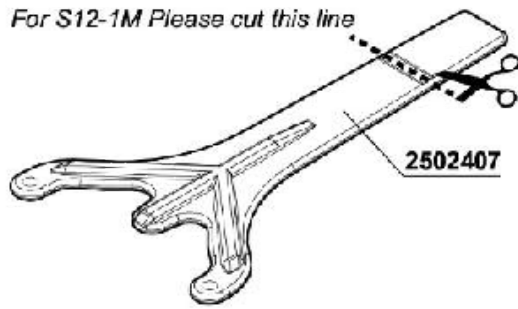






**BAG****A****34****BAG****D**

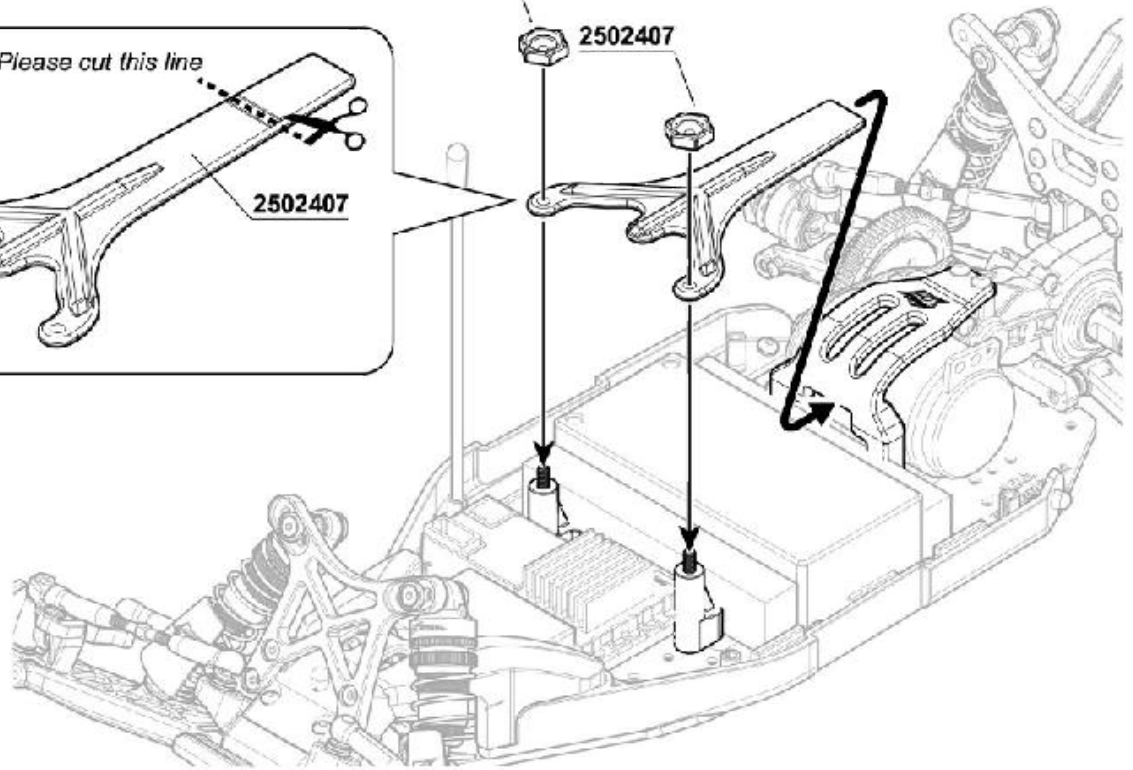
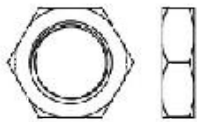
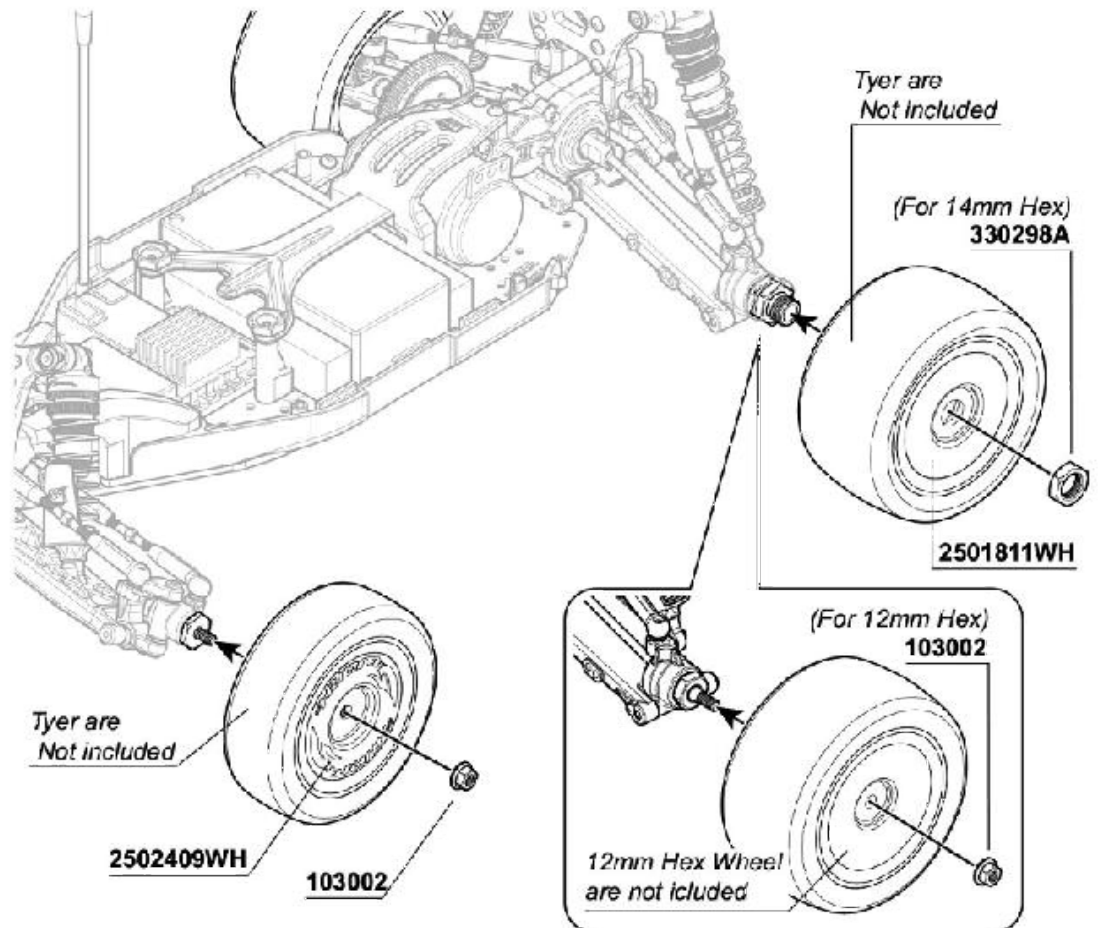
For S12-1M Please cut this line



2502407

2502407

2502407

**BAG****G****35****F**  
**R****L**  
**R****x2** For Front**x2** For Rear103002  
Flange M4 Nut Lock x2330298A  
Wheel Nut 14mm x2Tyer are  
Not included(For 14mm Hex)  
330298A

2501811WH

(For 12mm Hex)  
103002Tyer are  
Not included

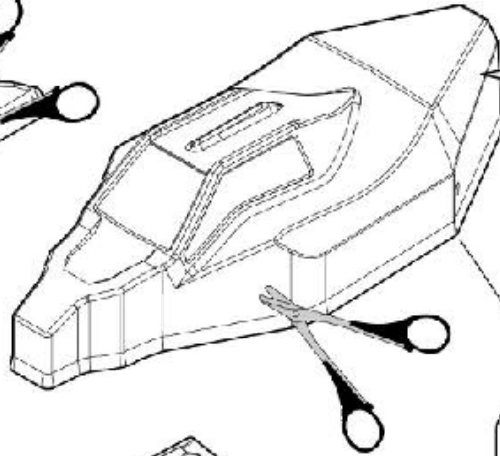
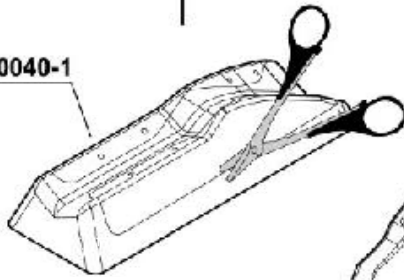
2502409WH

103002

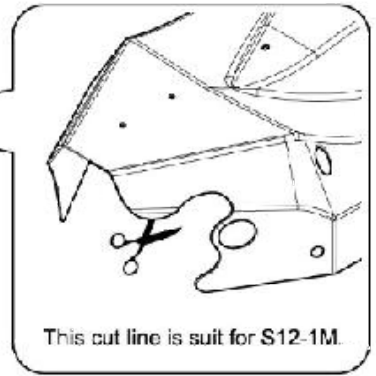
12mm Hex Wheel  
are not icluded

# 36 Body shell painting preparation

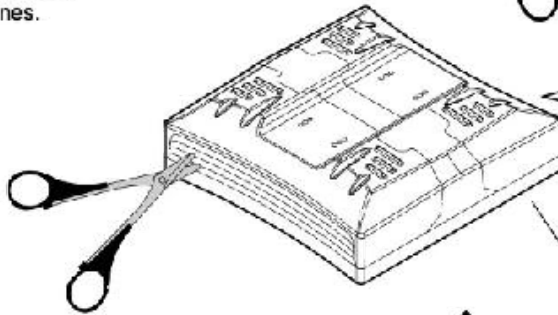
250040-1



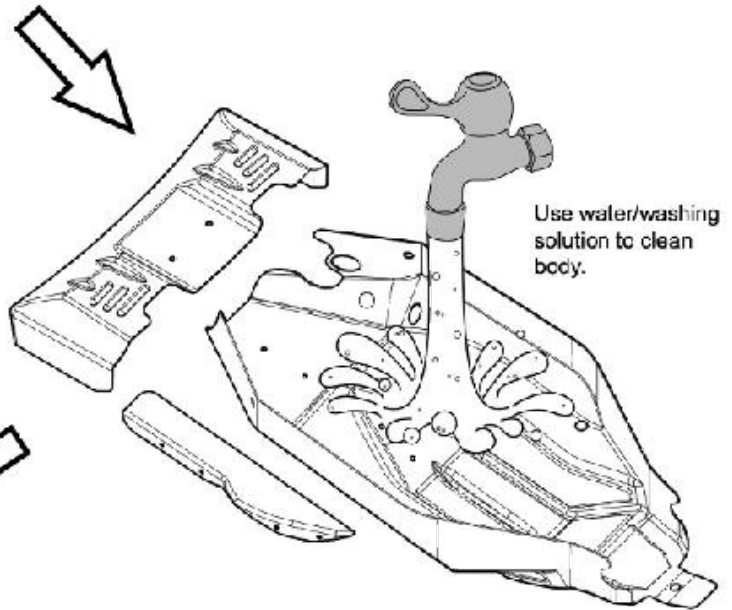
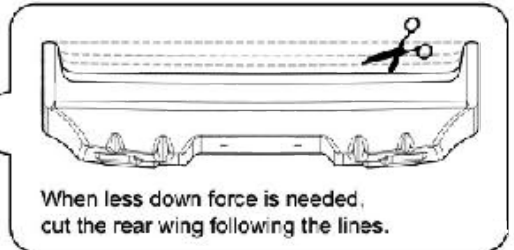
250040



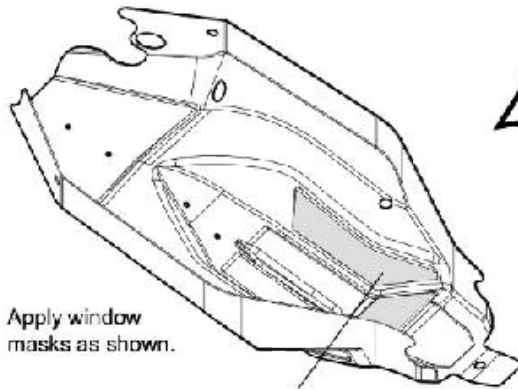
Use body scissors to cut along the body lines.



250042

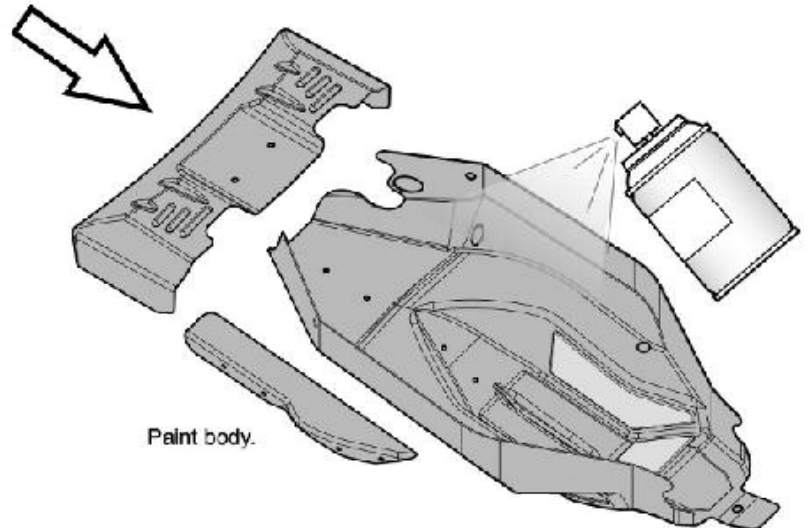


Use water/washing solution to clean body.



Apply window masks as shown.

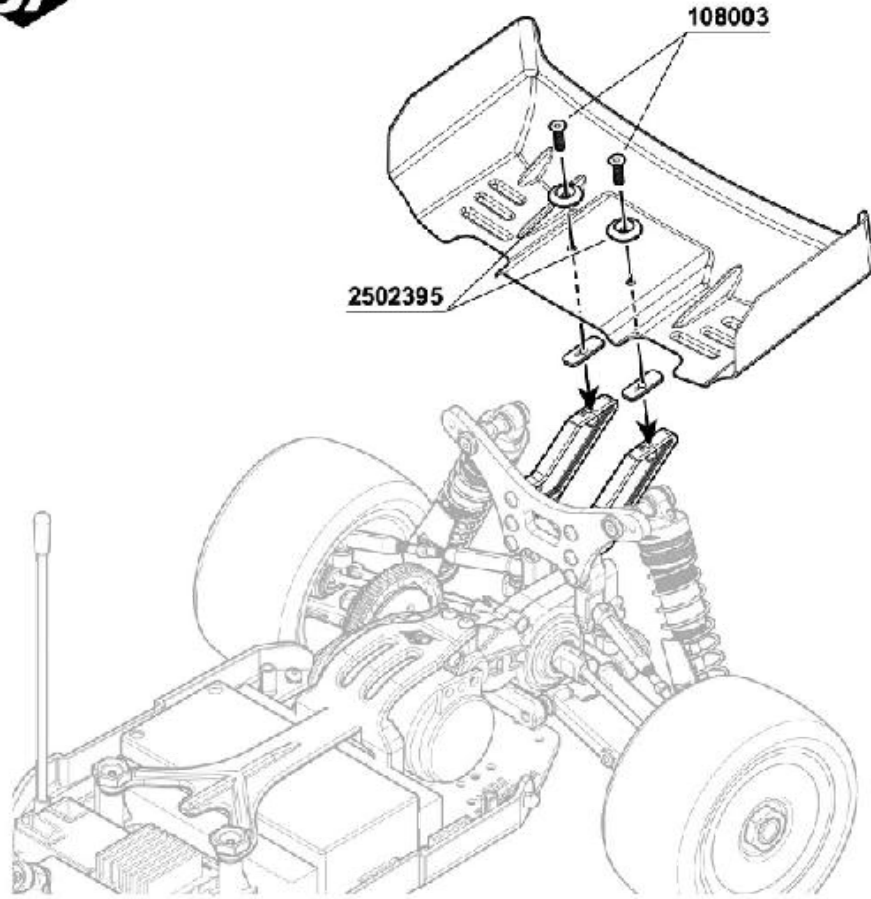
510060



Paint body.



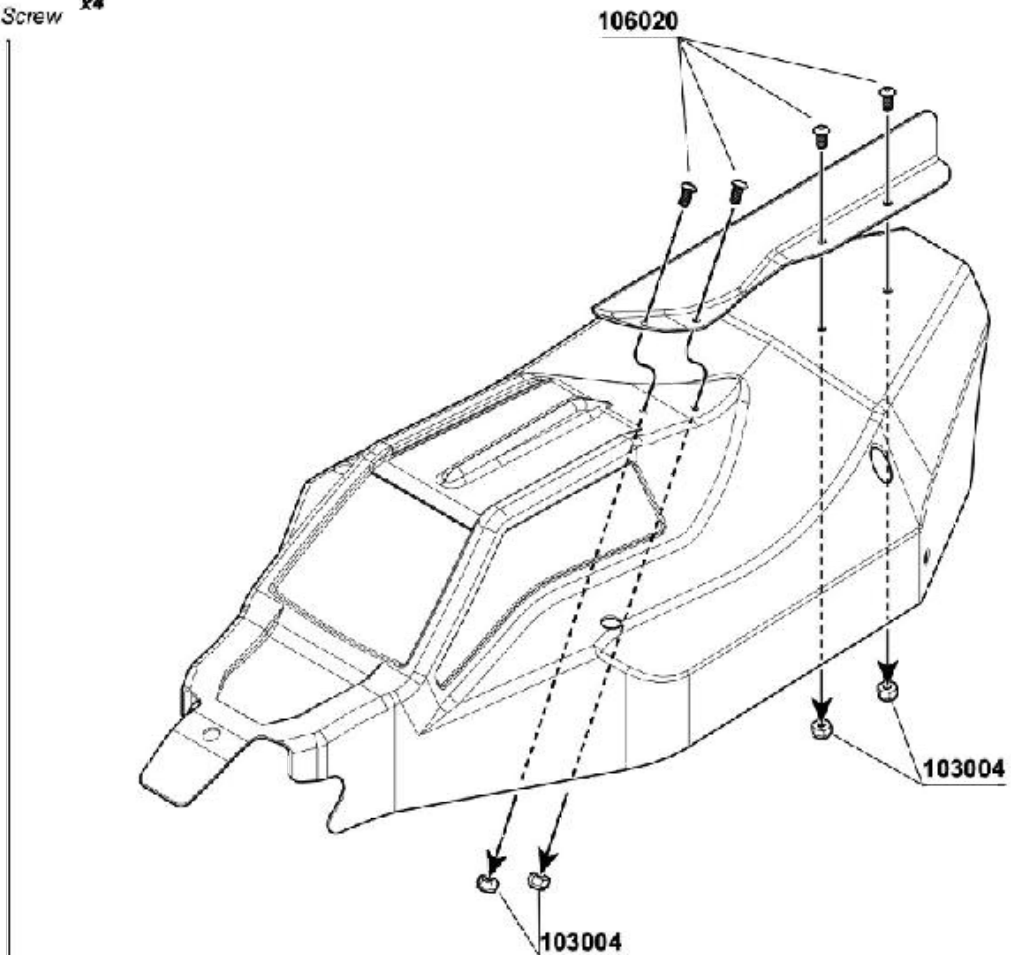
**108003**  
M3x10mm FH/ST HEX Screw **x2**



**106020**  
M2.5x5mm Hex Socket OH/TP Screw **x4**

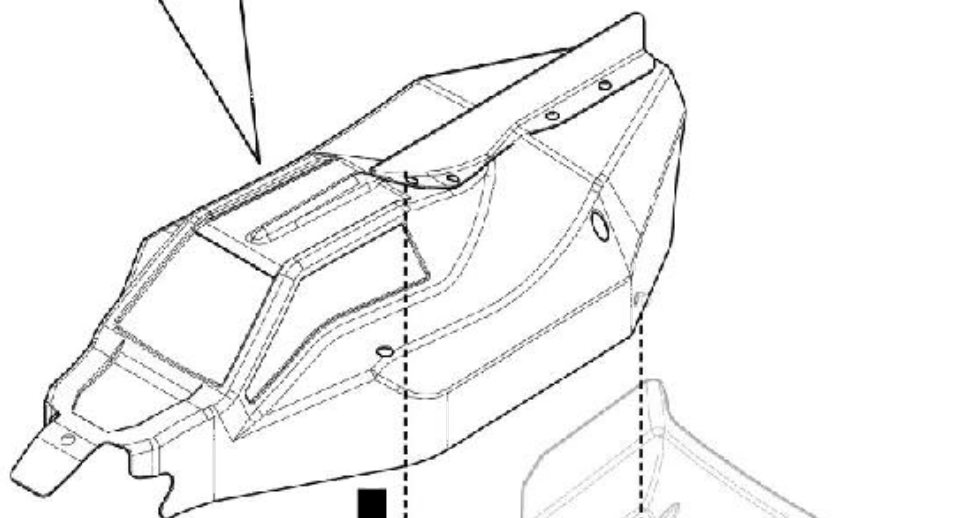
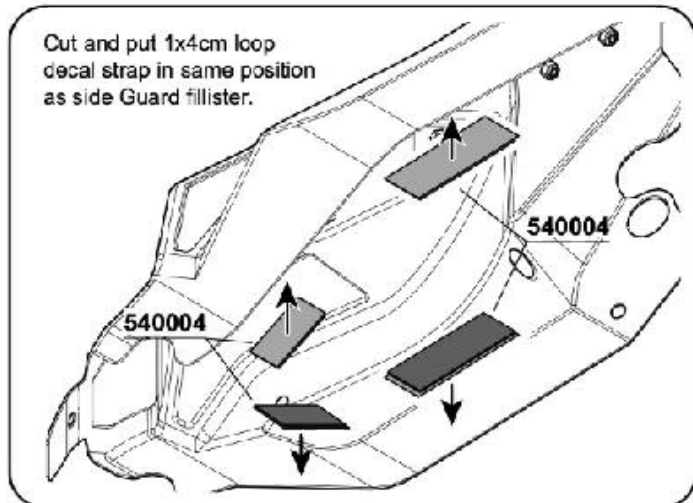


**103004**  
M2.5 Nut Lock **x4**





Cut and put 1x4cm loop  
decal strap in same position  
as side Guard fillister.



Cut and put 1x4cm  
hook decal strap  
in this side Guard  
fillister.

540003

Cut and put 1x2cm  
hook decal strap  
in this side Guard  
fillister.

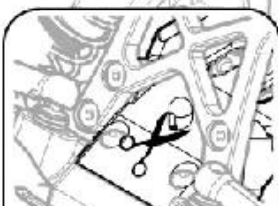
540003

540003

Cut and put 1x4cm  
hook decal strap  
in this side Guard  
fillister.

Cut and put 1x2cm  
hook decal strap  
in this side Guard  
fillister.

540003



For easy fit the body  
Shell, please cut the  
body mount.

## S12-1M

### Track Conditions

- Size:  Open  Med.  Tight  
 Traction:  High  Med.  Low  
 Surface:  Smooth  Med.  Bumpy

Name: \_\_\_\_\_  
 Date: \_\_\_\_\_  
 Track: \_\_\_\_\_

### Diff. Oil

Rear: \_\_\_\_\_

### Diff. Type

- Gear Ditt  
 Ball Ditt

### Electric System

ESC Type: \_\_\_\_\_

Motor Type: \_\_\_\_\_

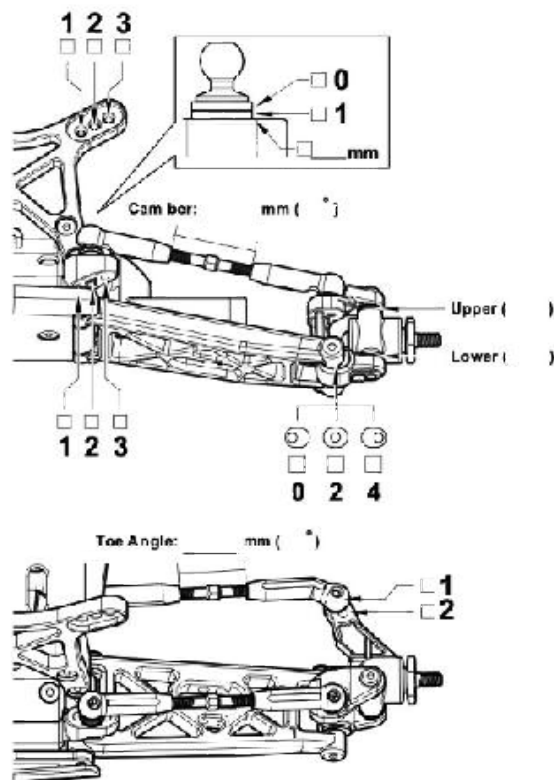
Motor Gear/Spur Gear: \_\_\_\_\_

Battery Type A: Saddle Pack \_\_\_\_\_  
 B: Shorty Pack \_\_\_\_\_

### Tire

Front	Rear
Type: _____	Type: _____
Foam: _____	Foam: _____

### Front Suspension



### Front Shocks

Oil: \_\_\_\_\_  
 Pistons: \_\_\_\_\_  
 Spring: \_\_\_\_\_  
 Spacer: \_\_\_\_\_ mm

Body: \_\_\_\_\_  
 Wing: \_\_\_\_\_

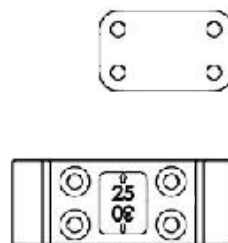
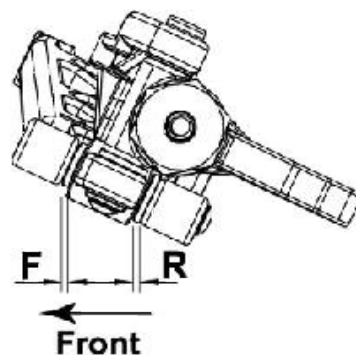
### Front Lower Arm Holder Adjustment

0.5mm  1mm

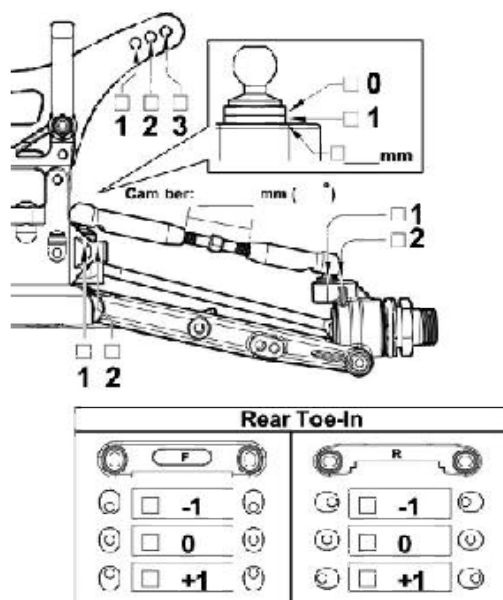
### Front Lower Arm Holder

25°  30°

Ride High: \_\_\_\_\_ mm



### Rear Suspension



### Rear Shocks

Oil: \_\_\_\_\_  
 Pistons: \_\_\_\_\_  
 Spring: \_\_\_\_\_  
 Spacer: \_\_\_\_\_ mm

Wing spacer \_\_\_\_\_ mm

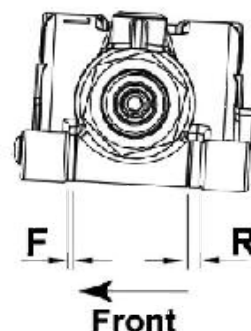


Wheelbase F \_\_\_\_\_ mm  
 adjustment R \_\_\_\_\_ mm

Sway bar  Use \_\_\_\_\_ mm  
 None

Ride High: \_\_\_\_\_ mm

Notes: \_\_\_\_\_  
 \_\_\_\_\_  
 \_\_\_\_\_





# SET-UP SHEET

Race time / Lap: \_\_\_\_\_  
 Best lap: \_\_\_\_\_

## S12-1M

### Track Conditions

Size:  Open  Med.  Tight  
 Traction:  High  Med.  Low  
 Surface:  Smooth  Med.  Bumpy

Name: SWORKz  
 Date: 2015.10.05  
 Track: Yatabe Arena

### Diff. Oil

Rear: \_\_\_\_\_  
 #5000

### Diff. Type

Gear Ditt  
 Ball Ditt

### Electric System

ESC Type: Hobby Wing V3.1

Motor Type: Hobby Wing V10 6.5T

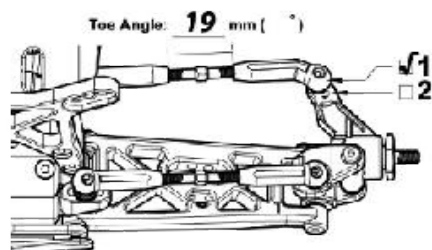
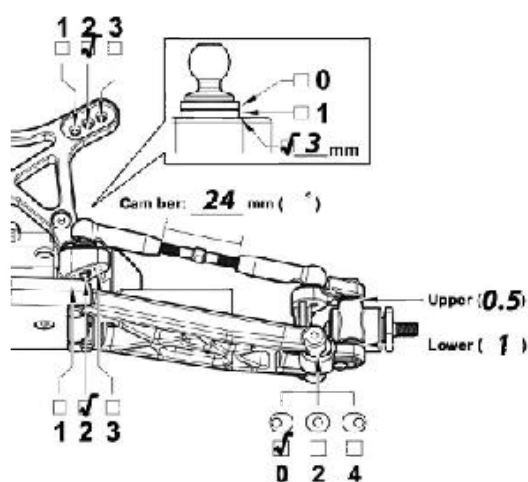
Motor Gear/Spur Gear: 22/82T

Battery Type A: Saddle Pack  
 B: Shorty Pack ORCA

### Tire

Front Rear  
 Type: Schumacher Type: Schumacher  
 Foam: No Use Foam: Standard

### Front Suspension



### Front Shocks

Oil: #650  
 Pistons: 1.5x2  
 Spring: Yatabe Red  
 Spacer: 5 mm

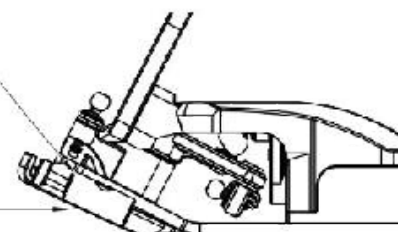
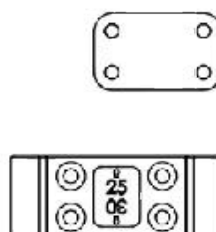
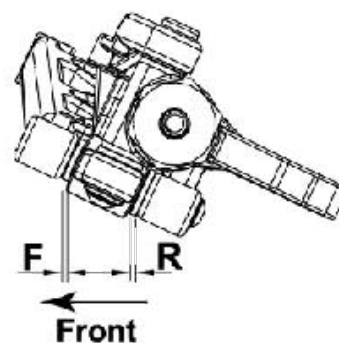
Body: SWORKz

Wing: SWORKz

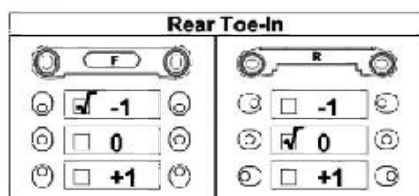
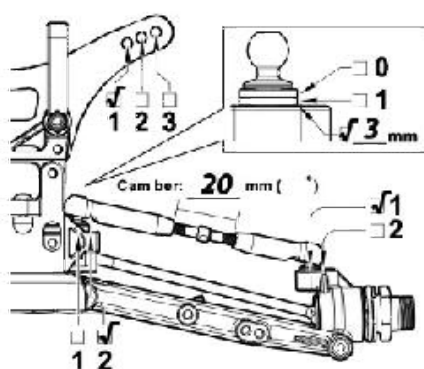
Front Lower Arm Holder  
 Adjustment  
 0.5mm  1mm

Front Lower Arm Holder  
 25°  30°

Ride High: 16 mm



### Rear Suspension



### Rear Shocks

Oil: #550  
 Pistons: 1.5x2  
 Spring: Yatabe OR  
 Spacer: 3 mm

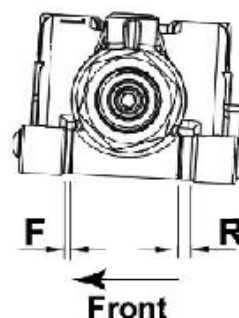
Wing spacer 2 mm

Wheelbase F 3 mm  
 adjustment R 0 mm

Sway bar  Use \_\_\_\_\_ mm  
 None

Ride High: 16 mm

Notes: \_\_\_\_\_  
 \_\_\_\_\_  
 \_\_\_\_\_



## Parts No. List

Part No.	Part Name	Qty in Use	Item No.
2501811	S104 Rear Wheel (WH)	2	SW-2501811
2502409	S12-1 Front Wheel (WH)	2	SW-2502409WH
2502394	S12-1 Front Steering Knuckle (L)	1	SW-2502394
	S12-1 Front Steering Knuckle(R)	1	
	S12-1 Insert (3X7X0.5mm)	4	
	S12-1 Insert (3X7X1mm)	6	
	S12-1 Front Steering Knuckle Insert(L0)	1	
	S12-1 Front Steering Knuckle Insert(R0)	1	
	S12-1 Front Steering Knuckle Insert(L+2)	1	
	S12-1 Front Steering Knuckle Insert(R+2)	1	
	S12-1 Front Steering Knuckle Insert(L+4)	1	
2502395	S12-1 Wing Mount (Rear Motor)	2	SW-2502395
	S12-1 Rear Wing Mount (For Middle Motor)	2	
	S12-1 Wing Space	2	
	S12-1 Wing Adjust Insert (0 degree)	2	
	S12-1 Wing Adjust Insert (+3~-3 degree)	2	
2502396	S102 Front Lower Arm Holder	1	SW-2502396
	S12-1 Front Lower Arm Holder Adjust Insert (1mm)	1	
	S12-1 Front Lower Arm Holder Adjust Insert (0.5mm)	1	
	S12-1 Servo Savor Arm	1	
	S12-1 Rear Lower Arm Plate (Middle Motor)	1	
	S12-1 Rear Lower Arm Plate	1	
	S12-1 Rear Arm Holder	1	
2502397	S12-1 Servo Savor Steering Plate	1	SW-2502397
	S12-1 Front Lower Arm (L)	1	
	S12-1 Front Lower Arm (R)	1	
2502398	S12-1 Insert (3X7X1mm)	2	2502398
	S12-1 Rear Lower Arm (L)	1	
	S12-1 Rear Lower Arm (R)	1	
2502399	S12-1 Insert 3X7X2mm	2	SW-2502399
	S12-1 Gear Cover (Center)	1	
	S12-1 Rear Bumper	1	
	S12-1 Front Bumper	1	
	S12-1 Receiver/ESC Holder	1	
	S12-1 Servo Holder	2	
	S12-1 Servo Adjust Insert (1mm)	2	
	S12-1 Servo Adjust Insert (2mm)	2	
	2502400	S12-1 Front Upper Arm Holder	
S12-1 Front Shock Tower Holder		1	
S12-1 Plastic Front Shock Tower		1	
S12-1 Plastic Rear Shock Tower		1	
2502401	S12-1 Ball End Cap M(5mm)	6	SW-2502401
	S12-1 Ball End Cup (S)(5mm)	4	
	S12-1 Ball End Cup(L)(5mm)	2	
	S12-1 Curve Ball End Cup(L)(5mm)	2	
	S12-1 Ball End Cup(L)(5mm)	6	
	S12-1 Rear Arm Holder Insert (0 degree)	6	
	S12-1 Arm Hinge Pin Insert	6	
	S12-1 Savor Servo Arm (25T)	1	
	S12-1 Savor Servo Arm(23T)	1	
S12-1 Savor Servo Arm(24T)	1		
2502402-01	S12-1 Diff Case	1	SW-2502402
2502402-02	S12-1 Diff Case Cover	1	
2502403-03	S12-1 Spur Gear 76T	1	SW-2502403-03
2502403-04	S12-1 Spur Gear (81T)	1	SW-2502403-04
2502403-05	S12-1 Slipper Clutch Spring Plastic Insert	1	SW-2502403-05
2502403-06	S12-1 Slipper Clutch Case	1	SW-2502403-06
2502406	S12-1 Side Guard (L)	1	SW-2502406
	S12-1 Side Guard (R)	1	
	S12-1 Batter Holder (Side)	0	

## Parts No. List

Part No.	Part Name	Qty in Use	Item No.
2502407	S12-1 Rear Bumper (For Rear Motor)	0	SW-2502407
	S12-1 Batter Case (R)	0	
	S12-1 Batter Holder	0	
	S12-1 Batter Holder Nut	2	
	S12-1 Batter Case (F)	1	
	S12-1 Plastic Saddle Pack Battery Holder (R)	0	
	S12-1 Plastic Saddle Pack Battery Holder (L)	0	
2502408	S12-1 Battery Holder Post	1	SW-2502408
	S12-1 Rear Shock Tower Bottom Holder (for Rear Motor)	0	
	S12-1 Rear Shock Tower Upper Holder (for Rear Motor)	0	
	S12-1 Rear Shock Tower Bottom Holder (for Middle Motor)	1	
	S12-1 Rear Sway Bar Holder (Middle Motor)	0	
2502417	S12-1 Rear Shock Tower Upper Holder (for Middle Motor)	1	SW-2502417
	SWORKz 5.5mm Nut and Battery Nut Cross Wrench	1	
	S12-1 Steering Hub (L&R)	2	
	S12-1 Rear Wheel Hub (L&R)	2	
2501807	S12-1 Insert 3X7X2mm	2	SW-2501807
	S12-1 Insert (3X7X1mm)	2	
	S12-1 Front Wheel Axle Adjust Insert(5X7X1mm)	2	
	S104 Plastic Shock Washer 3.3x6.5x1mm	0	
	S104 Plastic Shock Washer 3.3x6.5x2.5mm	0	
	S104 Plastic Shock Piston 1.3mmx5 holes	0	
	S104 Plastic Shock Piston 1.2mmx5 holes	0	
2503133	S104 Shock Cap Insert	4	SW-2503133
	S104 Shock Spring Holder L	2	
	S104 Shock Spring Holder S	2	
	S104 Plastic Shock Cap Stud	0	
	S104 Shock Ball End	4	
2503134-04	S12-1 M Edition Middle Front Motor Gear Box (1 Idler Gear) (L)	1	SW-2503134-04
	S12-1 M Edition Middle Front Motor Gear Box (1 Idler Gear) (R)	1	
	S12-1 M Edition Middle Front Gear Box Motor Cover	1	
2502212	14mm Plastic Wheel Hex Tool Hand Bar	1	SW-2502212
330516	S12-1 Idler Gear Shaft 5X15L	1	SW-330516
330671	S12-1 Slipper Clutch Inside Holder	1	SW-330671
330672	S12-1 Slipper Clutch Outside Holder	1	SW-330672
330524	S12-1 Pro Chassis (7075 Aluminum)	1	SW-330524
330525	S12-1 Rear Lower Arm Hinge Pin (3X44mm)	2	SW-330525
330526	S12-1 Rear CVD Drive Shaft (73.5mm)	2	SW-330526
330528	S12-1 Wheel Hub 14mm(L8)	2	SW-330528
330529	S12-1EVO/102 Shock Body (L)	2	SW-330529
330530	S12-1EVO/102 Shock Body (S)	2	SW-330530
330531	S12-1EVO/102 Shock Shaft(L)	2	SW-330531
330532	S12-1EVO/102 Shock Shaft(S)	2	SW-330532
330533	S12-1 Servo Savor Bushing 3x4mm	2	SW-330533
330534	S12-1 Steering Hub Hinge Pin (L&R)	2	SW-330534
330536	S12-1 Pin (3X26mm)	4	SW-330536
330537	S12-1 Arm Hinge Pin (3X34mm)	4	SW-330537
330538	S12-1 Aluminum Front Lower Arm Holder	1	SW-330538
330540	S12-1 Servo Savor Post	2	SW-330540
330541	S12-1 Gear Diff Outdrive	2	SW-330541
330543	S12-1 Slipper Clutch Plate	1	SW-330543
330544	S12-1 Shock Seal Cover (SP)	4	SW-330544
330545	S12-1 Shock Seal Washer(3.3X6.5X2.0(SP))	8	SW-210065
330546	S12-1 Shock Cap (SP)	4	SW-330546
330547	S104EVO/S12-1 Shock Piston(1.5mmX2 Holes)	4	SW-330547
330581	S12-1 Rear CVD Axle for 12mm Wheel Hex	2	SW-330581
330582	S12-1 Rear Wheel Hub for 12mm wheels	2	SW-330582
330583	Pin for M2.0x12mm	2	SW-330583
330627	S12-1 Aluminum Idler Gear 20T	1	SW-330627
330654	S12-1 Option Aluminum Rear Lower Arm Holder (RF)	1	SW-330654
330655	S12-1 Option Aluminum Rear Lower Arm Toe-In Plate for Middle Motor (RR)	1	SW-330655
330664	S12-1 5mm Ball Stud (L10mm)	4	SW-330664
330666	S12-1 Middle Front Aluminum Motor Plate (1 Idler Gear)	1	SW-330666

## Parts No. List

Part No.	Part Name	Qty in Use	Item No.
330673	S12-1 Aluminum Pro Front Shock Tower	1	SW-330673
330527	S12-1 Pro Rear Carbon Fiber Shock Tower	1	SW-330527
330134	Shock Ball Stud	4	SW-330134
330277	S104 Diff. Bevel Gear 18T	2	SW-330278
330278	S104 Diff. Bevel Gear 10T	4	SW-330278
330279	S104 Bevel Gear Shaft	2	SW-330279
330283	S104 Pin M2.0x10mm	4	SW-330283
330285	S104 Pin M2.0x14mm	2	SW-330285
330294	S104 CVD Axle	2	SW-330294
330295	S104 CVD Join	2	SW-330295
330298A	S104 Wheel Nut 14mm	2	SW-330298A
330300	S104 Rear Upper Sus. Arm Turnbuckles	6	SW-330300
330304A	S104 Aluminum Shock Spring Adjust Nut (GM)	4	SW-330304A
330305	S104 Shock Washer 3.3x8.5x1mm	4	SW-210065
330312A	S104 Aluminum Shock Cap Stud	2	SW-330312A
330331	S104 Steering Linkage Ball Stud 4.1mm	10	SW-330331
330410	S104 Motor Gear 21T	1	SW-330410
330597	S104 EVO Rear Longer Aluminum Shock Cap Stud	2	SW-330597
400002	O-ring S5 4.8X1.5	2	SW-400002
400018A	S104 Shock Seal O-ring 3x6.6mm	8	SW-400018
400014	S104 Aluminum Shock Spring Adjust Nut O-Ring 1.5x13.5mm	6	SW-400014
610013	S104 Center Slipper Clutch Pad	3	SW-610013
410047	S102 Shock Cap O-Ring (SP)	4	SW-410047
610017	S12-1 Diff. Gasket (16X24X0.3t)	1	SW-610017
410049	1/10 Shock Seal Cap O-ring (8*10*1)	4	SW-410049
250040	S12-1 Eaglet Style Body Shell with Top Wing	1	SW-250040
250040-1	S12-1 Eaglet Style Body Shell Wing	1	SW-250040
250042	SWORKz 1/10 sonic wing 6.5"	1	SW-250042
510060	S12-1 Eaglet Style Body Window Mask	1	SW-250040
510061	S12-1 Body Decal Sheet	1	SW-250040
115135	S12-1 Slipper Clutch Spring	1	SW-115135
115090	S104EVO/S12-1 Front Shock Spring(1.3P5.5)	2	SW-115090
115091	S104EVO/S12-1 Rear Shock Spring(1.2Px6.0)	2	SW-115091
610014	S12-1 Shorty Foam Battery Block	2	SW-610014
116013	Ball Bearing 10x15x4mm	4	SW-116013
116010	Ball Bearing 5x10x4mm	8	SW-116010
116015	Ball Bearing 5x8x2.5mm	4	SW-116015
116017	Ball Bearing 6x12x4mm	2	SW-116017
101020A	3mm Countersunk Washers	8	SW-101020A
101026	S102 Aluminum Washer 3X6X1.5mm	2	SW-101026
103004	M2.5mm Nut Lock	4	SW-103004
104012	M3x12mm Set Screw	5	SW-104012
104004	M3x3mm Set Screw	3	SW-104004
104005	Set Screw M3x4	2	SW-104005
103003	Flange M3 Nut Lock	2	SW-103003
103001	M3 Nut Lock	2	SW-103001
104008	M4x4mm Set Screw	2	SW-104008
103005	M4mm Nut Lock (BK)	1	SW-103005
103002	Flange M4 Nut Lock	4	SW-103002
106020	M2.5x5mm 1.5mmHex Soket OH/ST Screw	14	SW-106020
106014	M2x6mm Hex Soket OH/TP Screw	8	SW-106014
106002	M3x10mm Hex Soket OH/TP Screw	16	SW-106002
106008	M3x12mm Hex Soket OH/TP Screw	8	SW-106008
106005	M3x15mm Hex Soket OH/TP Screw	4	SW-106005
106010	M3x6mm Hex Soket OH/TP Screw	12	SW-106010
106001	M3x8mm Hex Soket OH/TP Screw	7	SW-106001
108020	M2.0x4mm FH/ST HEX Screw	4	SW-108020
108003	M3x10mm FH/ST HEX Screw	6	SW-108003
108001	M3x12mm FH/ST HEX Screw	8	SW-108001
108005	M3x14mm FH/ST HEX Screw	4	SW-108005
108015	M3x16mm FH/ST HEX Screw	2	SW-108015
108006	M3x8mm FH/ST HEX Screw	23	SW-108006
101011	M2.5x6xT0.5mm	4	SW-101011
101012	M3x6xT0.5mm	4	SW-101012

## Parts No. List

Part No.	Part Name	Qty in Use	Item No.
106020	M2.5x5mm 1.5mmHex Soket OH/ST Screw	14	SW-106020
101004	Washer 3.5X10X0.2mm	4	SW-101004
200193	Antenna Tube	1	SW-200193
420010	Antenna Cup	1	SW-200193
540003	Hook decal strap 2x10cm	1	SW-540004
540004	Loop decal strap 2x10cm	1	SW-540004



## Spare Part List

Item No.	Part Name
SW-2501811	S104 Rear Wheel (WH)
SW-2502409WH	S12-1 Front Wheel (WH)
SW-2502394	S12-1 Front Steering Knuckle and Inserts Set
SW-2502395	S12-1 Rear Wing Mount Sets
SW-2502396	S12-1 Front Lower Arm Suspension Holder and Adjust Inster Set
SW-2502397	S12-1 Front Lower Arm Set
SW-2502398	S12-1 Rear Lower Arm Set
SW-2502399	S12-1 Bumper and Plastic Parts Set
SW-2502400	S12-1 Front/Rear Shock Towers and Holders
SW-2502401	S12-1 Ball End Caps and Hinge Pin Inserts
SW-2502402	S12-1 Diff Case Set
SW-2502403-03	S12-1 Spur Gear 76T
SW-2502403-04	S12-1 Spur Gear 81T
SW-2502403-06	S12-1 Slipper Clutch Case (Spring Plastic Insert)
SW-2502406	S12-1 Side Guard
SW-2502407	S12-1 Batter Holder Parts Set
SW-2502408	S12-1 Rear Shock Tower Upper Holder Set
SW-2502417	S12-1 Front Steering and Rear Hubs
SW-2501807	S104 Plastic Shock Washer 3.3x6.5x1mm
SW-2503133	S12-1 Middle Front Motor Gear Box
SW-2503134-04	S12-1 MFR Gear Box Idler Gear 34T
SW-2502212	14mm Plastic Wheel Hex Tool Hand Bar
SW-330516	S12-1 Idler Gear Shaft 5X15L
SW-330671	S12-1 Slipper Clutch Inside Holder
SW-330672	S12-1 Slipper Clutch Outside Holder
SW-330524	S12-1 Pro Chassis (7075 Aluminum)
SW-330525	S12-1 Rear Lower Arm Hinge Pin
SW-330526	S12-1 Rear CVD Drive Shaft (72.5mm)
SW-330528	S12-1 Wheel Hub 14mm(L8)
SW-330529	S104EVO/S12 Shock Body (L)
SW-330530	S104EVO/S12 Shock Body (S)
SW-330531	S104EVO/S12 Shock Shaft(L)
SW-330532	S104EVO/S12 Shock Shaft(S)
SW-330533	S12-1 Servo Savor Bushing 3x4mm
SW-330534	S12-1 Steering Hub Hinge Pin (L&R)
SW-330536	S12-1 Pin (3X26mm)
SW-330537	S12-1 Front Lower Arm Hinge Pin (3X34mm)
SW-330538	S12-1 Aluminum Front Lower Arm Holder
SW-330540	S12-1 Servo Savor Post
SW-330541	S12-1 Gear Diff Outdrive
SW-330543	S12-1 Slipper Clutch Plate (Steel)
SW-330544	S104EVO/S12 Shock Seal Cover (GM)
SW-210065	S104 EVO/S12 series Pro Shock Seal Kit
SW-330546	S104 EVO/S12 Shock Cap (GM)
SW-330547	S104EVO/S12 Shock Piston(1.5mmX2 Holes)
SW-330581	S12-1 Rear CVD Axle for 12mm Wheel Hex
SW-330582	S12-1 Rear Wheel Hub for 12mm wheels
SW-330583	Pin for M2.0x12mm
SW-330627	S12-1 Aluminum Idler Gear 20T
SW-330654	S12-1 Option Aluminum Rear Lower Arm Holder (RF)
SW-330655	S12-1 Option Aluminum Rear Lower Arm Toe-In Plate for Middle Motor (RR)
SW-330664	S12-1 5mm Ball Stud (L10mm)
SW-330666	S12-1 Middle Front Aluminum Motor Plate (1 Idler Gear)
SW-330673	S12-1 Aluminum Pro Front Shock Tower
SW-330527	S12-1 Pro-composite Carbon Rear Shock Tower
SW-330134	Shock Ball Stud
SW-330278	S104 Diff. Bevel Gear 18T
SW-330278	S104 Diff. Bevel Gear 10T
SW-330279	S104 Bevel Gear Shaft
SW-330283	S104 Pin M2.0x10mm
SW-330285	S104 Pin M2.0x14mm
SW-330294	S104 CVD Axle
SW-330295	S104 CVD Join
SW-330298A	S104 Wheel Nut 14mm

## Spare Part List

Item No.	Part Name
SW-330300	S104 Rear Upper Sus. Arm Turnbuckles
SW-330304A	S104 Aluminum Shock Spring Adjust Nut (GM)
SW-210065	S104 Shock Washer 3.3x6.5x1mm
SW-330312A	S104 Aluminum Shock Cap Stud
SW-330331	S104 Steering Linkage Ball Stud 4.1mm
SW-330410	S104 Motor Gear 21T
SW-330597	S104 EVO Rear Longer Aluminum Shock Cap Stud
SW-400002	O-ring S5 4.8X1.5
SW-400018	S104 Shock Seal O-ring 3x6.6mm
SW-400014	S104 Aluminum Shock Spring Adjust Nut O-Ring 1.5x13.5mm
SW-610013	S104 Center Slipper Clutch Pad
SW-410047	S104 EVO/S12-1 Shock Cap O-Ring (SP)
SW-610017	S12-1 Diff. Gasket (16X24X0.3t)
SW-410049	1/10 Shock Seal Cap O-ring (8*10*1)
SW-250040	S12-1 Eaglet Style Body Shell with Top Wing
SW-250042	WORKz 1/10 sonic wing 6.5"
SW-115135	S12-1 Slipper Clutch Spring
SW-115090	S104EVO/S12-1 Front Shock Spring(1.3P5.5)
SW-115091	S104EVO/S12-1 Rear Shock Spring(1.2Px6.0)
SW-610014	S12-1 Shorty Foam Battery Block
SW-116013	Ball Bearing 10x15x4mm
SW-116010	Ball Bearing 5x10x4mm
SW-116015	Ball Bearing 5x8x2.5mm
SW-116017	Ball Bearing 6x12x4mm
SW-101026	S102 Aluminum Washer 3X6X1.5mm
SW-103004	M2.5mm Nut Lock
SW-104012	M3x12mm Set Screw
SW-104004	M3x3mm Set Screw
SW-104005	Set Screw M3x4
SW-103003	Flange M3 Nut Lock
SW-103001	M3 Nut Lock
SW-104008	M4x4mm Set Screw
SW-103005	M4mm Nut Lock (BK)
SW-103002	Flange M4 Nut Lock
SW-106019	M2x10mm 1.5mmHex Soket OH/ST Screw
SW-106020	M2.5x5mm 1.5mmHex Soket OH/ST Screw
SW-106014	M2x6mm Hex Soket OH/TP Screw
SW-106002	M3x10mm Hex Soket OH/TP Screw
SW-106008	M3x12mm Hex Soket OH/TP Screw
SW-106005	M3x15mm Hex Soket OH/TP Screw
SW-106010	M3x6mm Hex Soket OH/TP Screw
SW-106001	M3x8mm Hex Soket OH/TP Screw
SW-108020	M2.0x4mm FH/ST HEX Screw
SW-108003	M3x10mm FH/ST HEX Screw
SW-108001	M3x12mm FH/ST HEX Screw
SW-108005	M3x14mm FH/ST HEX Screw
SW-108015	M3x16mm FH/ST HEX Screw
SW-108006	M3x8mm FH/ST HEX Screw
SW-101011	M2.6x6xT0.5mm
SW-101012	M3x6xT0.5mm
SW-106020	M2.5x5mm 1.5mmHex Soket OH/ST Screw
SW-101004	Washer 3.5X10X0.2mm
SW-200193	Antenna Tube
SW-540004	Hook & Loop decal strap Set 2x10cm

## Option Part List

Item No.	Part Name
SW-330652	S102 Option Copper Front Lower Arm Blance Holder (25g)
SW-330653	S102 Option Arm Hinge Pin Insert
SW-330656	S102 Option Aluminum Rear Lower Arm Toe-In Plate for Rear Motor (RR)
SW-330657	S102 Option Aluminum Front Lower Arm Holder (10g)
SW-330658	S102 Option Aluminum Servo Savor Arm
SW-330659	S102 Option Aluminum Servo Savor Steering Plate
SW-330660	S102 Option Aluminum Front Steering Knuckle (R&L)
SW-330539	S102 Carbon Fiber Front Shock Tower
SW-210071	SWORKz S12-1R Dirt Edition Gear Box Set
SW-210072	S12-1 Series Gear Diff Set
SW-330512	S104/S12-1 Series Pro Wheel Nut (GM)
SW-210063	S104 EVO/S102 series Pro Shock Front Set
SW-210064	S104 EVO/S102 series Pro Shock Rear Set
SW-2502409FY	S12-1 Series Front Wheel (FY)

# WORKZ



## S12-1M

*1/10 2WD EP Buggy with Middle Transmission*

**SPEEDMASTER HOBBY CO., LTD.**

TEL: +886-3-538-7638

FAX: +886-3-538-7328

No.42, Ruiguang St., Xiangshan Dist.,  
Hsinchu City 300, Taiwan (R.O.C.)

[www.sworkz.com](http://www.sworkz.com)

